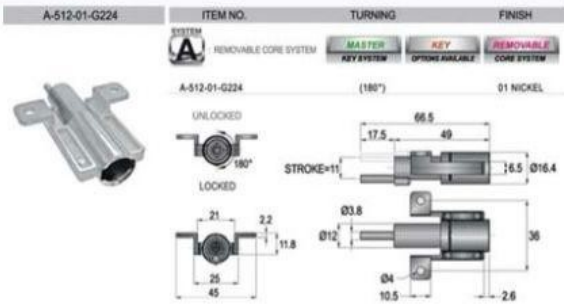


**D-101**  
Keyless Cam Lock

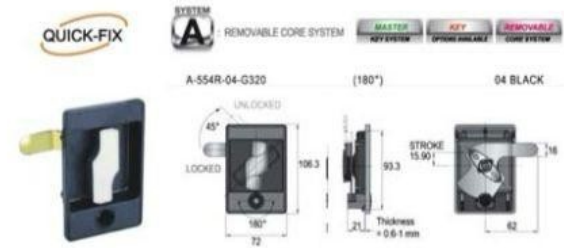


**A-512-01-G224**  
Filing Cabinet Lock



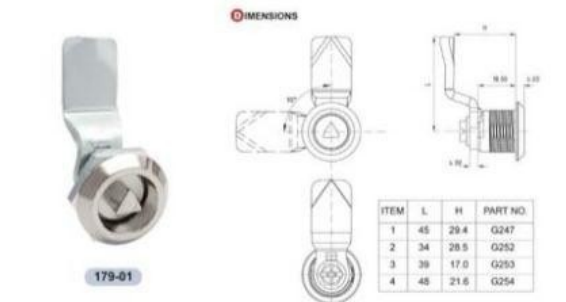
**D-554**  
Steel Cabinet Lock  
(Without Key)

Left/ Right Handed

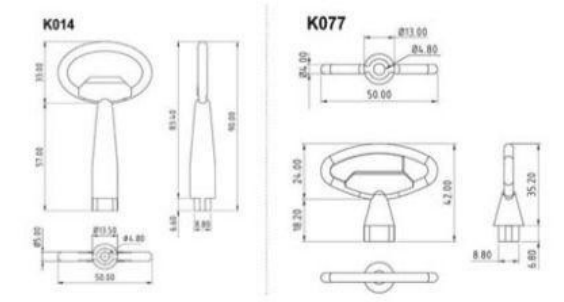


**A554**  
Steel Cabinet Lock

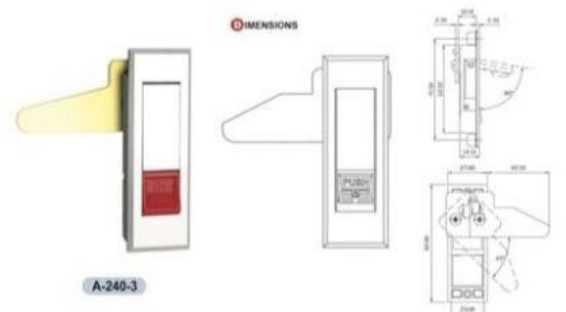
Left/ Right Handed



**179-01**  
Quarter-Turn Cam Lock



**K014+K077**  
Quarter-Turn Cam Lock Key



**A-240-3**  
Push Latch  
(Without Key)



**A-240-3-1**  
Push Latch with Key

9001



9007



9001

Target Drawer Lock  
(Eco Version)

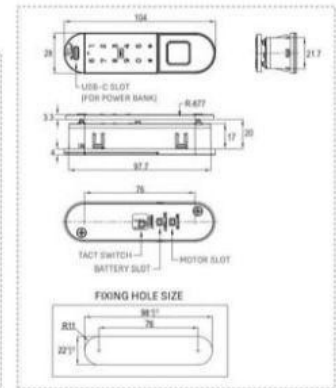
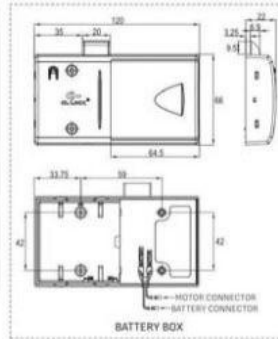
9007

Target Cam Lock  
(Eco Version)

MODEL NO.

## TFNFL99-VB-ATA99 DIGITAL FURNITURE LOCK

DIMENSIONS  
All measurements: mm



### FEATURES

- Provides a convenient, quick, and safe way to access by:
  - PIN code up to 2 admins and 98 users
  - PIN code can have 4-8 digits in length
  - Supports Fake PIN code Method of entering the PIN code to prevent someone nearby from memorizing your PIN code
  - NFC up to 2 admins and 98 users
  - Fingerprint up to 2 admins and 48 users
- Powered by 6V DC for 4 AA (1.5V) batteries
- Power bank support (USB type C)

### SPECIFICATIONS

- Keyless operation
- 3-IN-1 system, one smart lock that features PIN code, NFC, and Fingerprint
- Automatically locks within 5 seconds
- Code setting without tool
- Plastic housing
- Wood thickness 16-20mm

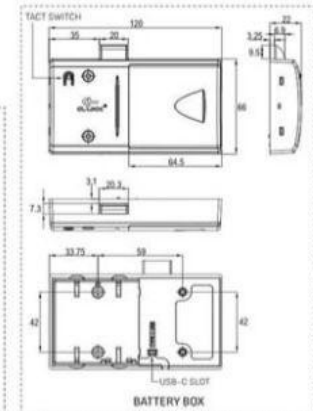
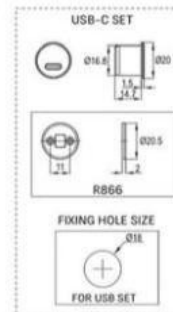
### A SET INCLUDES

- 1 Lock
- 1 Battery box
- 2 NFC tags for admin
- 2 NFC tags for user
- 1 Fixing plate (R-877)
- 2 Fixing plate screws
- 1 Bracket (DK-179)
- 6 Screws

MODEL NO.

## ANA99-B DIGITAL FURNITURE LOCK

DIMENSIONS  
All measurements: mm



### FEATURES

- Provides a convenient, quick, and safe way to access by NFC up to 2 admins and 98 users
- Powered by 6V DC for 4 AA (1.5V) batteries
- Power bank support (USB type C)

### SPECIFICATIONS

- Keyless operation
- Smart lock that features NFC
- Automatically locks within 5 seconds
- Plastic housing
- Wood thickness 16-20mm

### A SET INCLUDES

- 1 Battery box (Built-in NFC)
- 1 USB-C Set
- 2 NFC tags for admin
- 2 NFC tags for user
- 1 Bracket (DK-179)
- 8 Screws



602

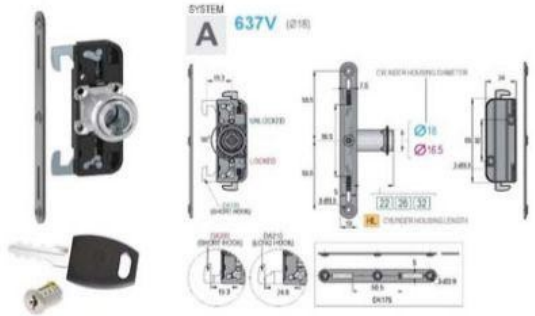
Side Central Lock w/ Cylinder Core  
(With Master Key System)

\*With 600mm Bar



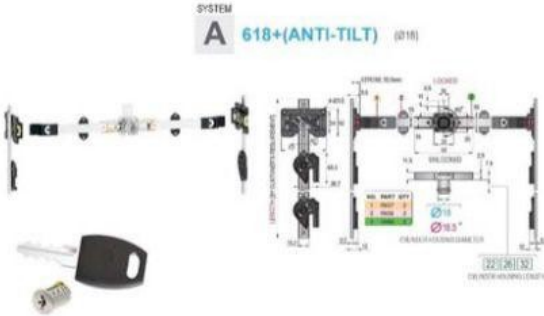
636V

Sliding / Bifold Cabinet Lock  
w/ Cylinder Core  
(With Master Key System)



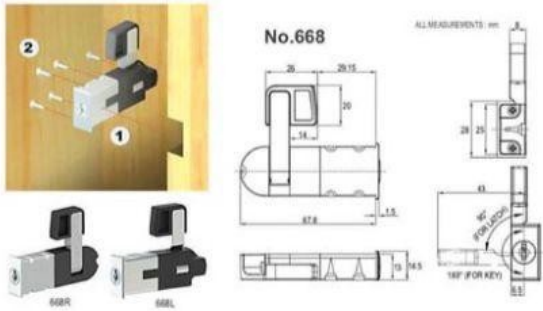
637V

Sliding Cabinet Lock w/ Cylinder Core  
(With Master Key System)



618+Anti-Tilt

Anti-Tilt Front Central Lock  
w/ Cylinder Core  
(With Master Key System)



668

Sliding Wordrobe Lock



852 HL/HR

4 Digit Combination Lock  
w/ Recovery Key (Horizontal)



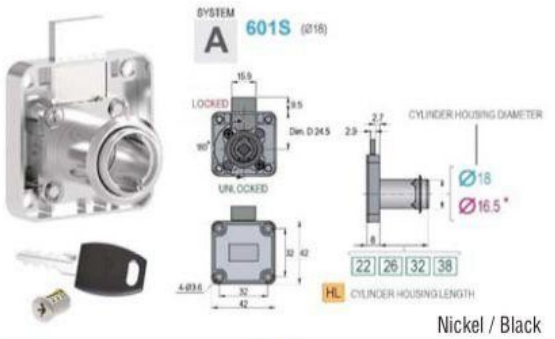
852 VL/VR

4 Digit Combination Lock  
w/ Recovery Lock (Vertical)



9004

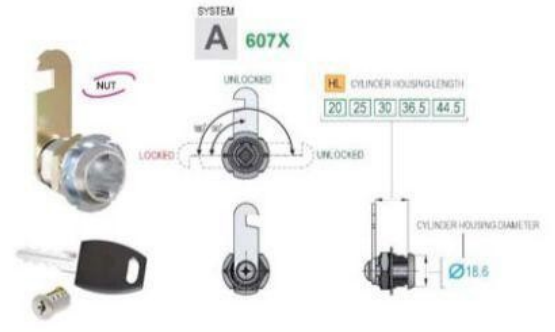
Target Push Lock  
(Eco Version)



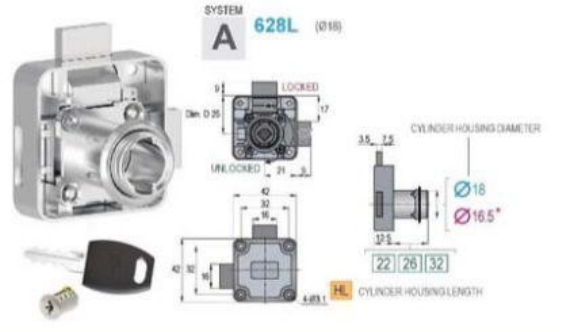
**601S**  
Drawer Lock w/ Cylinder Core  
(With Master Key System)



**627-TWO STEP**  
Long Latch Drawer Lock w/ Cylinder Core  
(With Master Key System)



**607X**  
Cam Lock w/ Cylinder Core  
(With Master Key System)



**628L**  
2 Way Lock w/ Cylinder Core (Left)  
(With Master Key System)



**628R**  
2 Way Lock w/ Cylinder Core (Right)  
(With Master Key System)



**603H**  
Front Central Lock w/ Cylinder Core  
(With Master Key System)