



ESTB.1936



*Importers - Exporters - Stockist - Agents

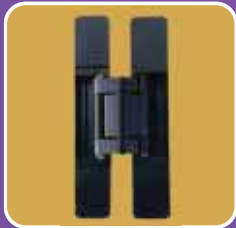
Furniture Fittings & Architectural Hardware Specialist



Product Catalogue 2022-2024




MOBILE[®]
Architectural Hardware
& Furniture Fittings




Fittings & Hinges



Quality, Value & more.....

www.shanghai tonglee.com.sg

Introduction



上海同利五金私人有限公司
SHANGHAI TONG LEE HARDWARE PTE. LTD.

ESTB.1936

A member of:



"Like us on Facebook"

About Us

Shanghai Tong Lee Hardware Pte Ltd was established in 1936. We specialise in various types of furniture fittings, architectural hardwares, tools and abrasives.

Suhner Abrasive Expert

Specialized in pneumatic & electrical power tools & various types of abrasives for aviation, stainless steel industries, ship building industries and etc.

Furniture Fittings

Locks, Hinges, Handles, Glass Locks/Hinges, Drawer Slides, TV Swivel/Lift, Magnetic Catches, Doorseals, Kitchen Waste Bin/Table Extension/Ironing Board, Wire Baskets, Castor Wheels, Knock-Down Fittings, Shelving Systems, Glass Connectors, Halogen lights/Slimline Fluorescent Lighting, Lazy Susan, Wall Seal, Lid Stay, Shoe Rack Fittings, etc.

Architectural Hardware

Security Key Locks, Electric Locks, Card Key Locks, Digital Locks, Hotel Locks, Decorative handles, Hinges, Latches, Door Stoppers, Door Chain & Guard, Sliding/Folding Tracks, Door Closers with Back Check/ Delay Action, Floor Hinges, Over-head conceal Door Closer, Patch Fitting, Window Fittings, etc.

For further information, please view at the following sites :

| | |
|--|--|
| Stainless Steel Ranges of Fittings & Locks | : www.sugatsune.co.jp |
| Antique Handles/Knobs | : www.bosettimarella.com |
| Sliding Door Systems | : www.cowdroy.com.au |
| Ball Bearing Slide | : www.schock-metall.de |
| Furniture Lighting Products | : www.hera-online.de |
| Electrical & Pneumatic Hand Tools for Stainless Steel | : www.suhner.com |
| Construction, Aviation, Shipyard, Automotive Industries etc. | |
| High Security Keys & Lock Systems | : www.mul-t-lock.com |
| Furniture Locks & Glass Fittings | : www.armstronglocks.com |
| Hinges, Slides & Fittings | : www.fgv.it |
| Wardrobe Sliding System | : www.caimiexport.it |
| Door Seal | : www.Planet.ag |
| Locks & Window Fittings | : www.agb.it |
| Furniture Cabinet Hangers, Catches, Shelf Support & Fittings | : www.italianaferamenta.com |

Office:

Tel : (65) 6291 7288 (5 lines)
Fax : (65) 6291 1228
Email : sales@shanghaitonglee.com.sg
Website : www.shanghaitonglee.com.sg

Showroom:

Tel : (65) 6298 7211 (5 lines)
Fax : (65) 6296 5540
200 Jalan Sultan, #01-01 Textile Centre, Singapore 199018

Business Hours :

9.00 am to 5.30 pm (Mondays to Fridays)
9.00 am to 3.30 pm (Saturdays)
Closed on Sundays & Public Holidays



*Importers - Exporters - Stockist - Agents



Contents

Quality, value & more...

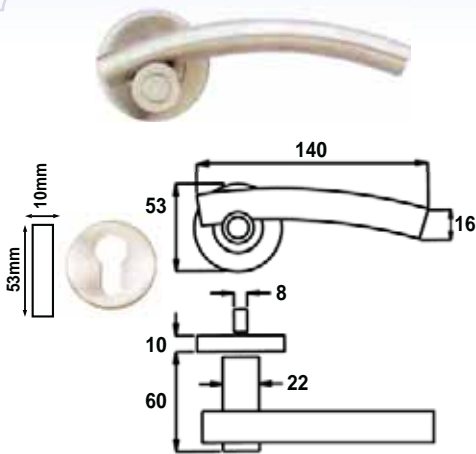
| | |
|-------------------------------------|---------|
| Bracket / Hasps / Latches | 73 |
| Bed & Wardrobe Systems | 88-91 |
| Bolts / Hooks | 86-87 |
| Catches | 74 |
| Door Closers | 84-85 |
| Door Stopper | 110-111 |
| Drop Seal / Door Seal / Door Opener | 112-118 |
| Lightings (LED) | 94-99 |
| Glass Clamps & Accessories | 70 |
| Floor Spring & Patch Fittings | 71 |
| Handle Furniture | 37-42 |
| Handle Architectural | 43-45 |
| Hinges Furniture | 20-27 |
| Hinges Architectural | 28-32 |
| Hinges Glass | 33-34 |
| Index | 120-124 |
| Kitchen Accessories | 102-104 |



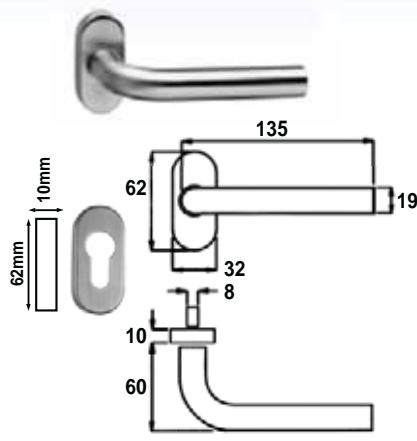
| | |
|---|---------|
| Locks Architectural | 2-15 |
| Lock Furniture / Secret Lock | 16-18 |
| Lock Glass | 19 |
| Office Systems | 109 |
| Slide & Swivels | 46-52 |
| Sliding & Folding Door Systems | 53-65 |
| Shelving Systems | 75 |
| Stays | 76-83 |
| Switches / Sockets / Doorbell / Power Track | 92-93 |
| Table & Sofa Legs | 72 |
| Ventilators / Bumpers / Shoe Racks / Dehumidifier / Miscellaneous | 119 |
| Wardrobe Sliding & Folding Door Systems | 66-69 |
| Wire Display Systems | 101-111 |
| Wire Baskets | 105-108 |

• For more information on the products, please contact us!
 • For future new products update, please email us your company contact.

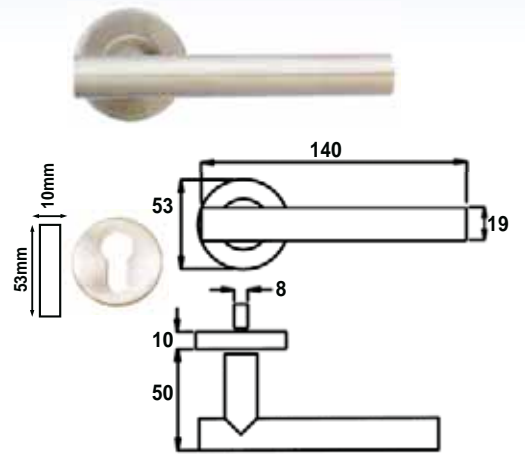
Lock Architectural



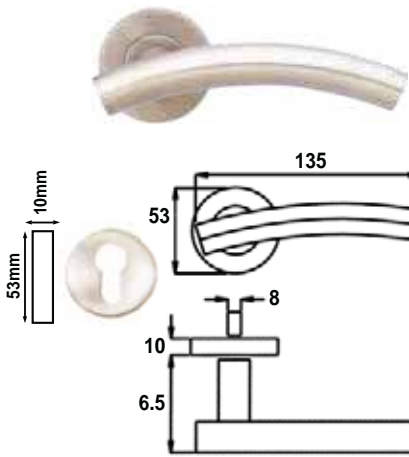
ST-4013 (Hollow)
SUS 304 Stainless Steel
Lever Handle



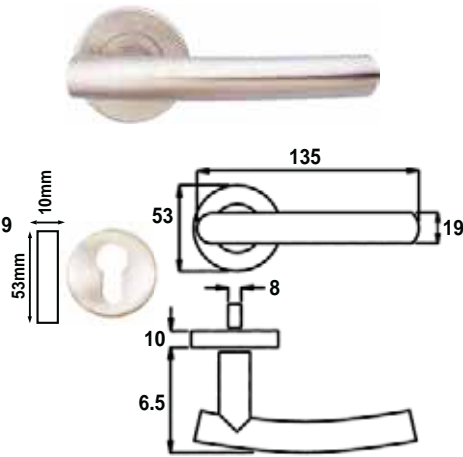
SP-4500 (Hollow)
SUS 304 Stainless Steel
Lever Handle



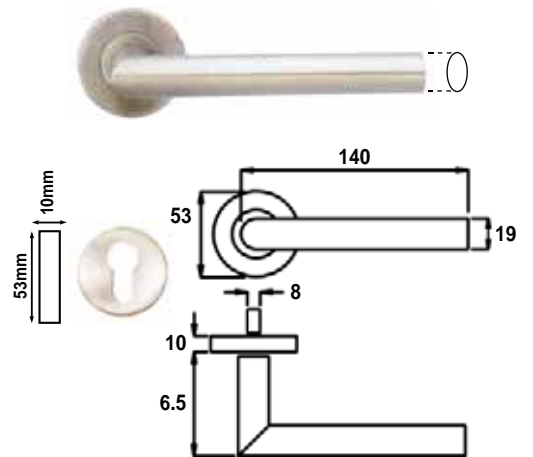
ST-4008 (Hollow)
SUS 304 Stainless Steel
Lever Handle



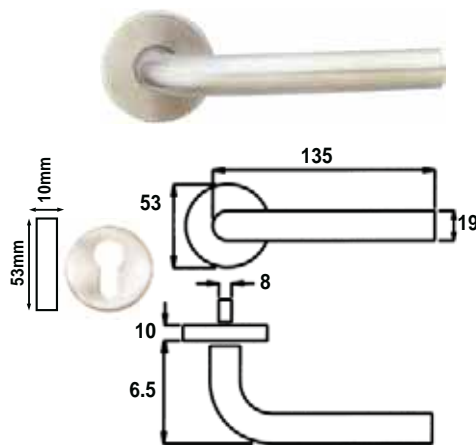
ST-4007 (Hollow)
SUS 304 Stainless Steel
Lever Handle



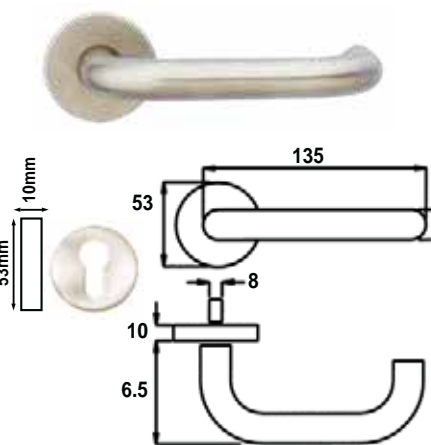
ST-4023 (Hollow)
SUS 304 Stainless Steel
Lever Handle



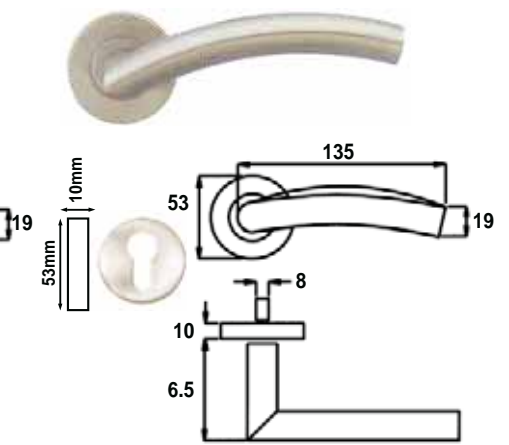
ST-4001 (Hollow)
SUS 304 Stainless Steel
Lever Handle



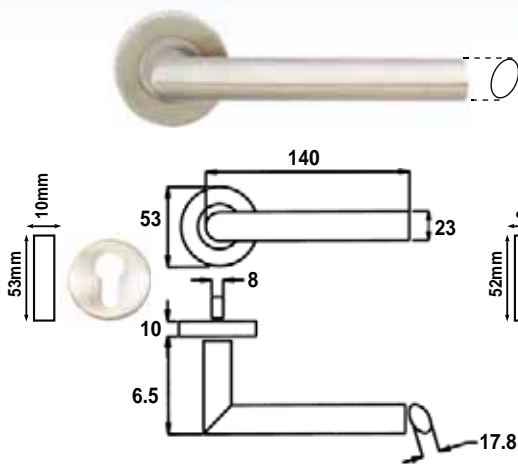
ST-4005 (Hollow)
SUS 304 Stainless Steel Tubes
Lever Handle



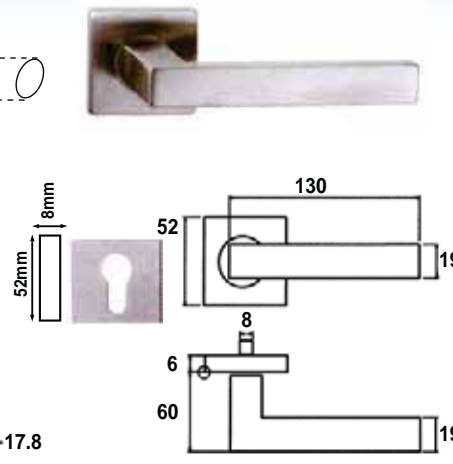
ST-4003 (Hollow)
SUS 304 Stainless Steel Tubes
Lever Handle



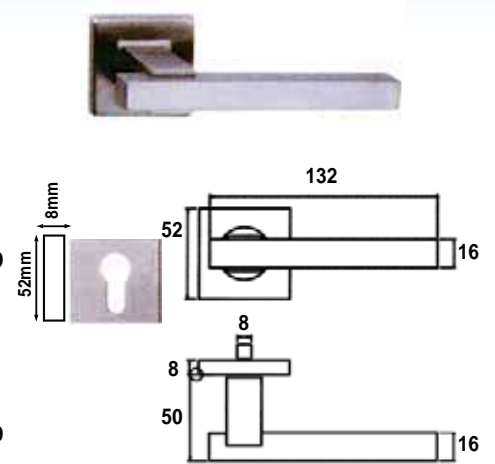
ST-4004 (Hollow)
SUS 304 Stainless Steel Tubes
Lever Handle



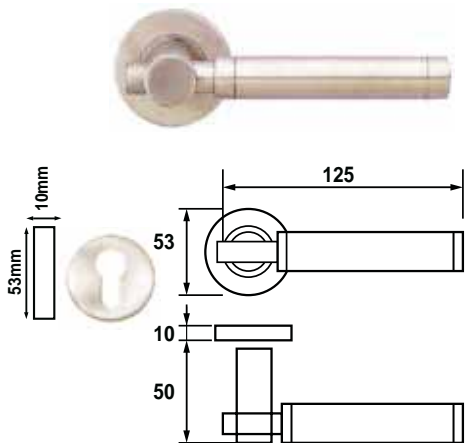
ST-4006 (Hollow)
SUS 304 Stainless Steel Tubes
Lever Handle



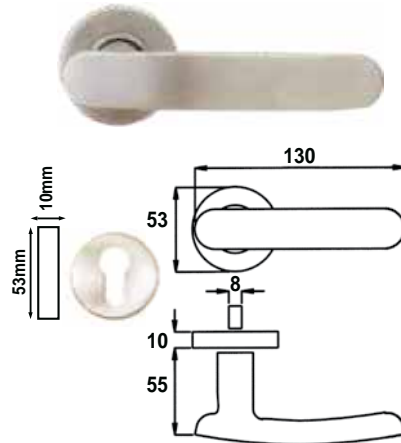
SS4125 (Hollow)
SUS 304 Stainless Steel
Lever Handle



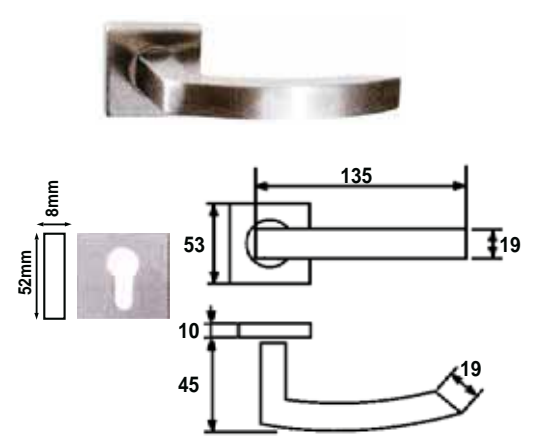
SS4027 (Hollow)
SUS 304 Stainless Steel
Lever Handle



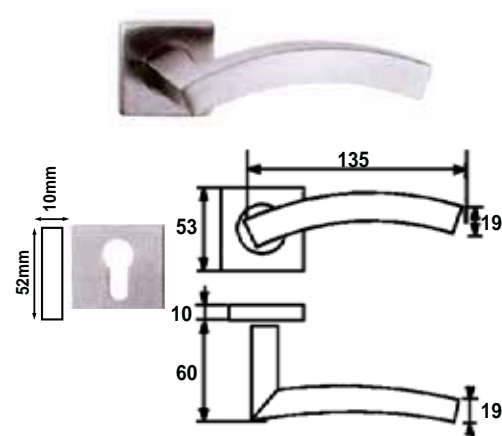
ST-4012 (Solid)
SUS 304 Stainless Steel
Lever Handle



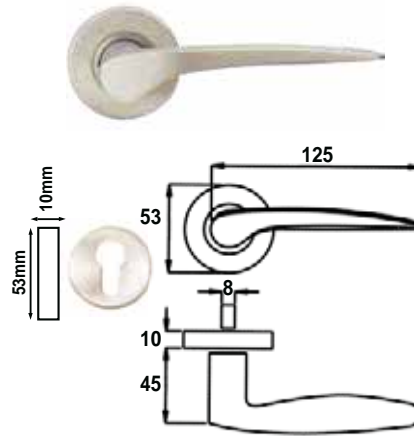
ST-2003 (Solid)
SUS 304 Stainless Steel
Lever Handle
** Available In SUS 316
Stainless Steel*



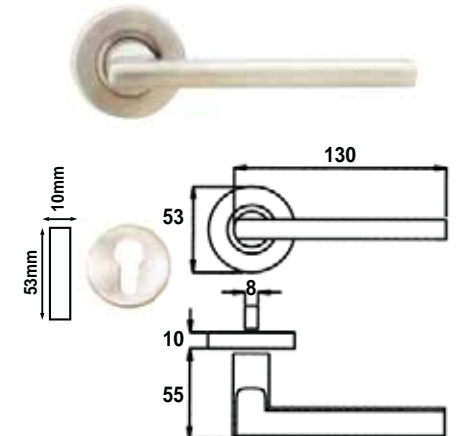
FSA002 (Hollow)
SUS 304 Stainless Steel
Lever Handle



FSA003 (Hollow)
SUS 304 Stainless Steel
Lever Handle

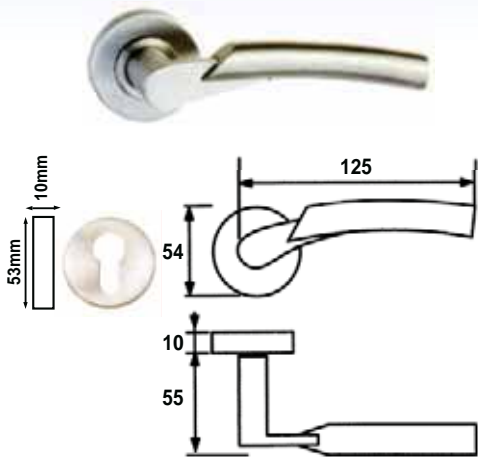


ST-2010 (Solid)
SUS 304 Stainless Steel
Lever Handle

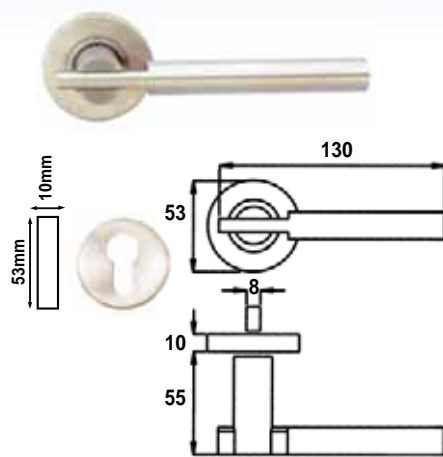


ST-2036 (Solid)
SUS 304 Stainless Steel
Lever Handle
Satin, Matt Black

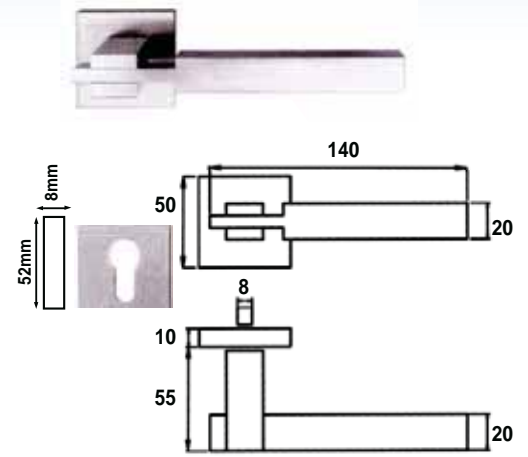
Lock Architectural



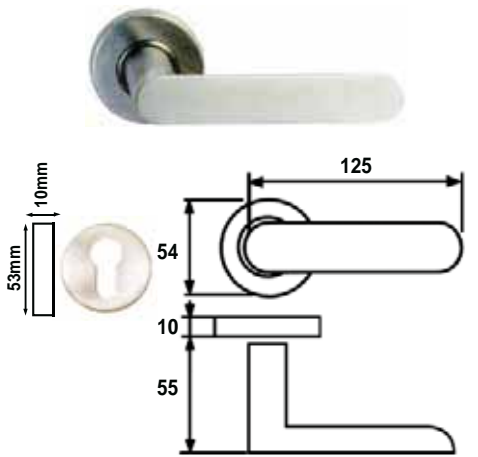
MI-2045 (Solid)
SUS 304 Stainless Steel
Lever Handle



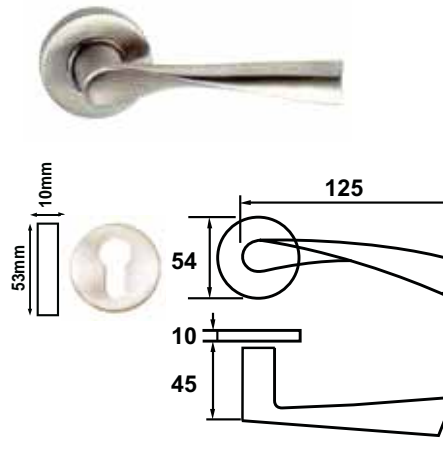
ST-2038 (Solid)
SUS 304 Stainless Steel
Lever Handle



SX-2043 (Solid)
SUS 304 Stainless Steel
Lever Handle

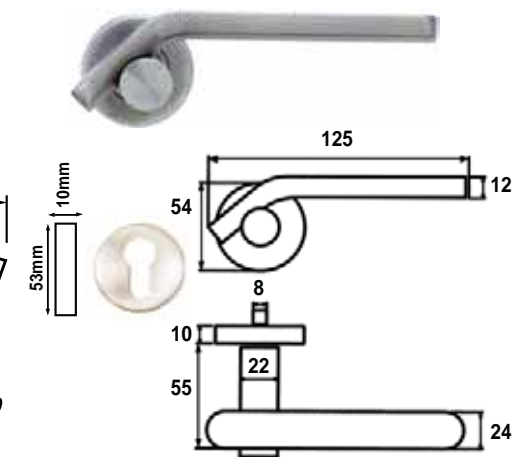


MI-3005 (Solid)
SUS 316 Stainless Steel
Lever Handle



ST-2015 (Solid)
SUS 304 Stainless Steel
Lever Handle

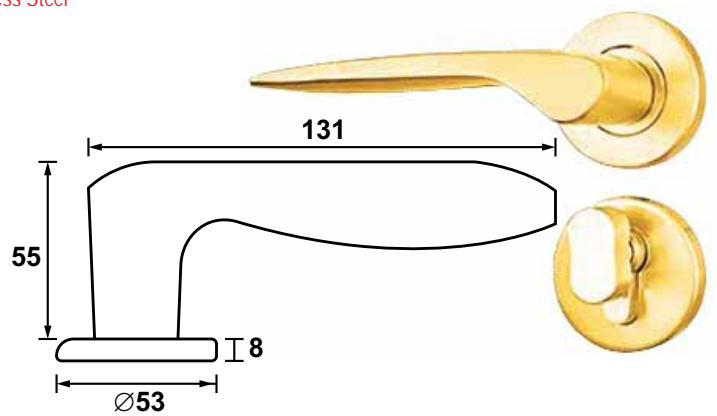
* Available In SUS 316
Stainless Steel



ST-2046 (Solid)
SUS 304 Stainless Steel
Lever Handle



HI-H114-1
Satin Black Nickel
Invisible Door Lockset



MI-V119
SUS 304 Stainless Steel
Lever Handle
Satin Stainless Steel / Satin Gold

madeinitaly

Colour : (ONS) Satin Nickel, (OLV) Polish Brass, (OCS) Satin Chrome, PVD, (OGR) Antique Brass

All models comes with euro profile rosette.



DOLCE - D015
Satin Nickel, Polish Brass



ART - AR15
Satin Nickel, PVD



WING 702/12Y
Satin Chrome



FLUO - FL15
Satin Nickel



Linear - LI15
Satin Nickel



HALLEY - HA15
Satin Nickel



LIRICA 801/BY
Shaded Bronze



AIRONE - 604/B
Satin Chrome



GRIP-852
Satin Chrome



Classic 571/BY
Satin Bronze



FLUO-FL12 VIS
Polish Brass



FLUKE - FK 14Y
Satin Nickel



BOOMERAANG - 185/12Y
Satin Chrome



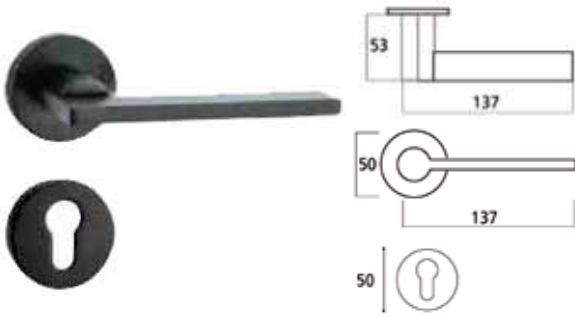
Classic Due 576/BY
Satin Bronze



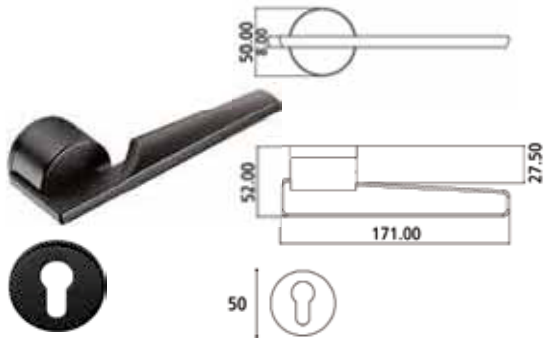
Classic 571/12Y
Polish Brass

Lock Architectural

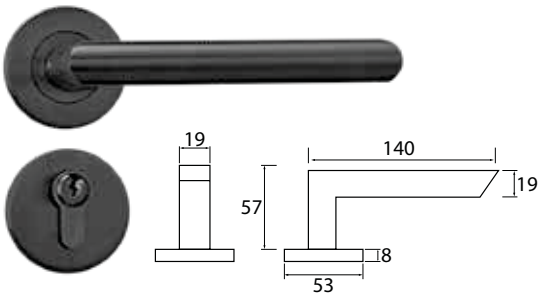
*Note : Lockcase & Cylinders are sold separately.



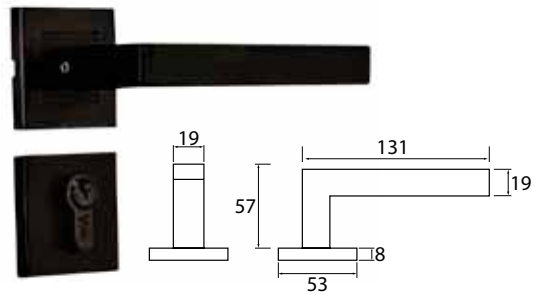
MI-V7211
Zinc Alloy
Lever Handle
Satin Nickel, Satin Matt Black



MI-V7229-2
Zinc Alloy
Lever Handle
Satin Matt Black



MI-V113
SUS 304 Stainless Steel
Lever Handle
Satin Black Nickel / Satin Gold



MI-V114
SUS 304 Stainless Steel
Lever Handle
Matt Black



Code-It™
Electronic Security Handle
For your code only

MTL Code-It - The key to indoor security

- **Secret code** for accessing the room
- **2 operating modes**
Automatic locking: by just closing the door, with no need for a key
Manual locking: with the push of a button
- **Simple operation:** 4 to 6 digit code
- **For indoor use:** in office or home (work rooms, clinics, hobby rooms and safekeeping of personal valuables)

- **Quick and easy installation:** securely fixed from the inside of the door, preventing disassembly from the outside
- **Suitable for use** with most types of locking/latching products
- **For door thickness 35-80mm**
- **Easy replacement** for most existing handle types
- **Does not require an electrical outlet**
- **Up to 9 separate codes** for different users
- **Indication light** for activation, deactivation and battery life
- **Low cost maintenance:** up to 100,000 entries with only one pair of batteries

* In case of prolonged absence or at the end of a day, additional locking with a manual key is recommended.

Colour: (AB) Antique Brass, (AC) Antique Copper, (CS) Satin Nickel, (GP) Gold Plated, (PB) Polished Brass, (SN) Satin Nickel, (WK) Walnut
 Functions: (ET) Entrance, (BK) Privacy



MI-341 CS-XL Tubular Lever Lock
 Backset : With adjustable latch
 : 60mm - 70mm
 Functions : Entry, privacy.
 Colour : Satin Nickel, Polished Brass
 Rose : 75mm
 Door Thickness : 35mm - 50mm
 Backset : 60mm - 70mm



MI-6391L Tubular Lever Lock
 Backset : With adjustable latch 60mm - 70mm Rose : 65mm
 Functions : Entry Door Thickness : 35mm - 50mm
 Colour : Satin Nickel, Matt Black, Satin Brass



LC-202 Dead Bolt
 Colour : Satin Nickel /
 : Space Grey
 Bore Hole Dia. : 35mm - 55mm



E-841 CS-XL
 Tubular Lever Lock
 Material : Zinc Diecast
 Finish : SN
 Backset : 60-70mm
 Door Thickness : 35mm - 50mm
 Rose : 75mm



MI-6011-ET
 Tubular Lever Lock
 Material : Zinc Diecast
 Finish : SN
 Backset : 60 - 70mm
 Door Thickness : 35mm - 50mm
 Square Zinc Alloy Rose



MI-6331-ET
 Tubular Lever Lock
 Colour : Satin Black
 Base : 65mm
 Backset : 60 mm
 Door Thickness : 35 - 48mm



MI-6331L-ET
 Tubular Lever Lock
 Colour : Satin Nickel
 Base : 65mm
 Backset : 60 - 70mm
 Door Thickness : 35 - 48mm



MI-171 ET
 Oval Knob Lock
 Colour : Satin Nickel, Antique
 : Brass, Gold Plated

Lock Architectural

Colour: (BP) Brass Plated, (SN) Satin Nickel, (S/S) Stainless Steel, (AB) Antique Brass, (BSN) Brushed Satin Nickel



MI-587
Stainless Steel
Cylindrical Knob Lock
Backset: 60/70mm



SUS304

MI-3871 ET-XL
High Quality Cylindrical Knob Lock
Stainless Steel (SUS304)
Approved by ISO9001
Backset: 60/70mm



A791-XL
Knob Lock
Antique Brass, Stainless Steel



5303 ET, BK
Satin Nickel / Chrome,
Satin Brass / Polished Brass
Flower Knob Lock



D101
Stainless Steel, Antique Brass,
Antique Copper, Brass Plated
Single Dead Bolt



MI-301A-ET, BK
Dead Bolt Lock
Satin Nickel / Black / Antique Brass
Entrance, Privacy



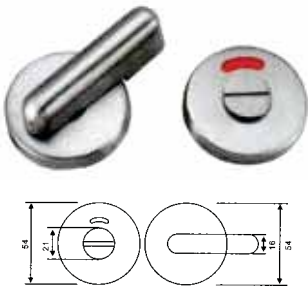
D-104
Single Sided Dead Bolt
Stainless Steel



MI-L687
Backset: 60, 70mm
Lever Latch
Stainless Steel



LS-002
Night Latch



L01.004
Stainless Steel
Indicator Latch



MI-600
SUS 304 Stainless Steel
Indicator Latch With
Long Turn Handle



MI-600
Privacy Indicator Latch
Black / Satin Nickel



C560B-VB-BP
Victorian Bronze
Cylindrical Knob Lock
(Entrance)



665E-VB-BP
Victorian Bronze
Lever Lock
(Entrance)



665C-VB-BP
Victorian Bronze
Lever Lock
(Entrance)



66RPDLVBBP (ET)
Oil Rub Bronze
Sliding Door Lock



515R-SS-BP / VB-BP
Satin Nickel / Victorian Bronze
Dead Bolt Lock
(Entrance)



515S-VB-BP
Victorian Bronze
Dead Bolt Lock
(Entrance)



765 LO-SC-FL
Victorian Bronze, Satin Nickel
Entrance Door Lock Set



765SE-SC-FL-VB
Victorian Bronze
Entrance Door Lock Set



765 SO-SC-FL
Polish Brass, Victorian Bronze
Entrance Door Lock Set



BC-40610
Old Silver
Entrance Lockset
(Note: POD, POV, AB Finish Available)

(Lever
Handle
available)



BC-44500
Antique Brass
Entrance Lockset
(Note: Satin Nickel Finish Available)

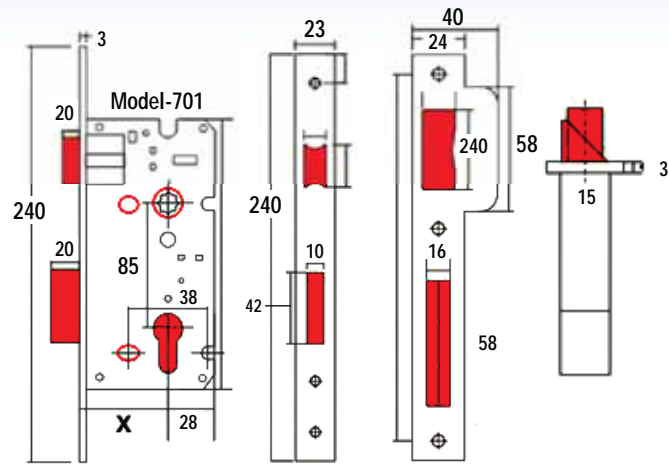
(Lever
Handle
available)



MI-701

Possible Variation

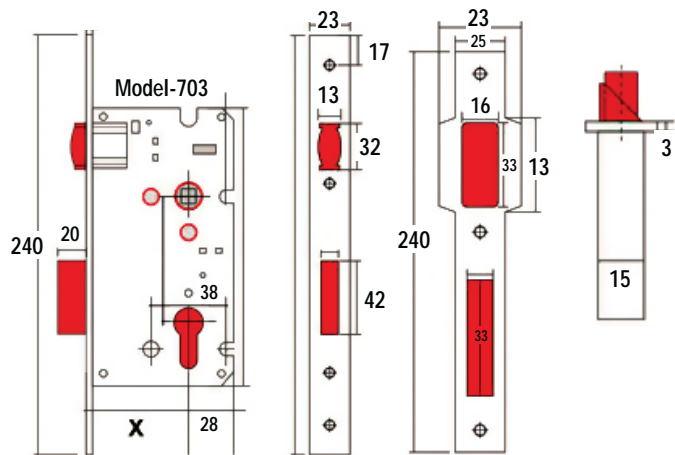
| | |
|-----------|--------|
| Backset : | X |
| | 40mm |
| | 45mm |
| | 60mm |
| | 70mm |
| Forend: | Square |



MI-703

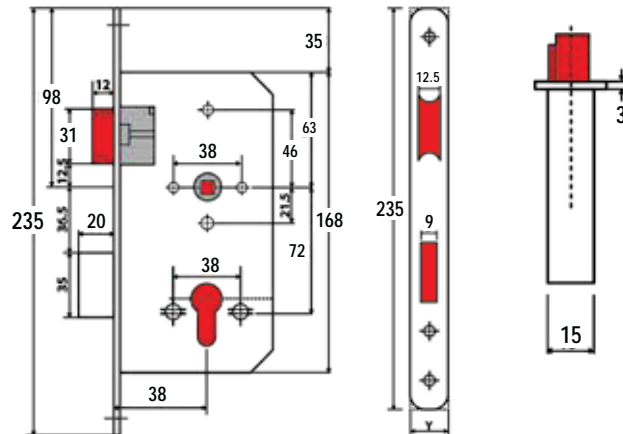
Possible Variation

| | |
|-----------|--------|
| Backset : | X |
| | 50mm |
| | 60mm |
| Forend: | Square |



MI-5572

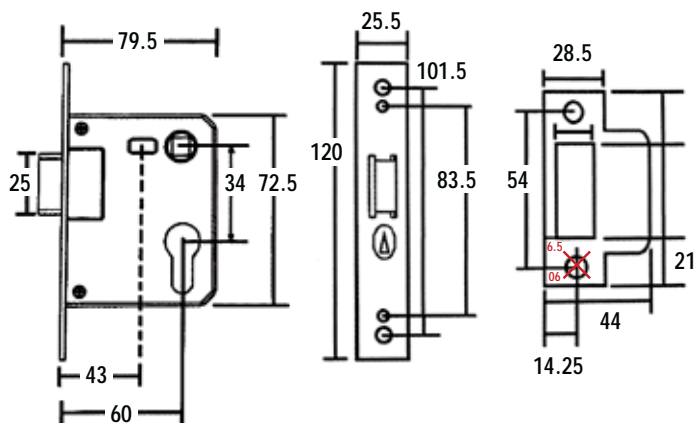
| | |
|-------------------------|------|
| Backset : x | 55mm |
| Dimension of forend : Y | |
| square | 20mm |
| | 24mm |
| rounded | 20mm |
| | 24mm |



MI-709

Switch Room Lock

| | |
|---------|------|
| Backset | 60mm |
|---------|------|





AGB B00705

Backset : 30mm, 50mm, 60mm
Sliding Door Lock
Nickel Plated
*5 years Mechanical Warranty



AGB B00852

Backset: 50mm, 60mm
Mortise Lockcase
Nickel Plated

- Patterned spring bolt to keep doors always in correct latching positions.
- 5 years Mechanical Warranty



AGB B00856

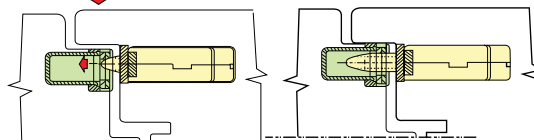
Backset: 50mm, 60mm
Mortise Dead Lock
Nickel Plated
*5 years Mechanical Warranty



W112016013210

Sicurtop Poseidon
MULTIPOINT Lock w / Roller Latch
3 Way multi Point Lock
Finish: Nickel Plated
Backset: 60mm
Length: 2400mm
Feature: 3mm thick one-piece faceplate
For details, please refer to our sales consultants.

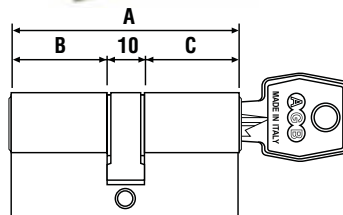
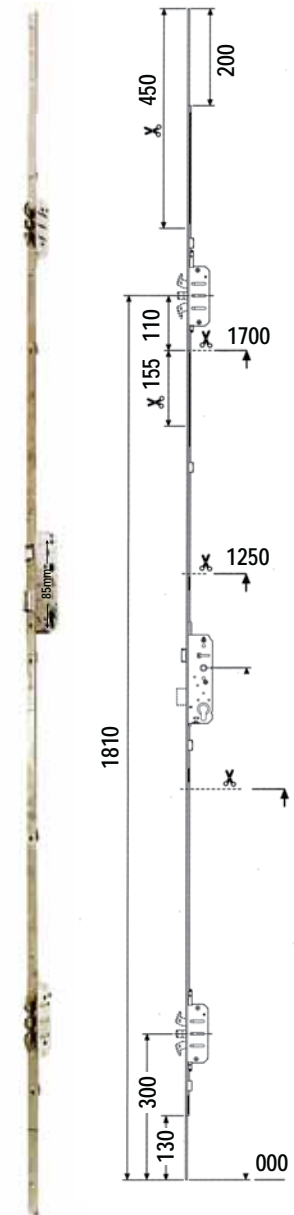
MULTIPOINT LOCKING SYSTEM



The sash is aligned

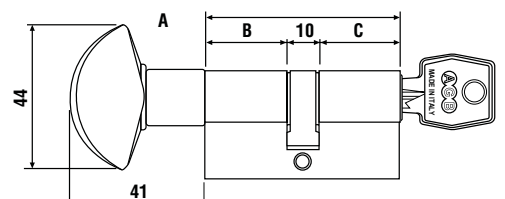
The Poseidon has engaged

Made in Italy



AGB SCUDO 600

A : 60mm, 70mm, Double cylinder
Nickel Plated



AGB SCUDO 600

A : 60mm, 70mm, Double cylinder
Nickel Plated

Lock Architectural

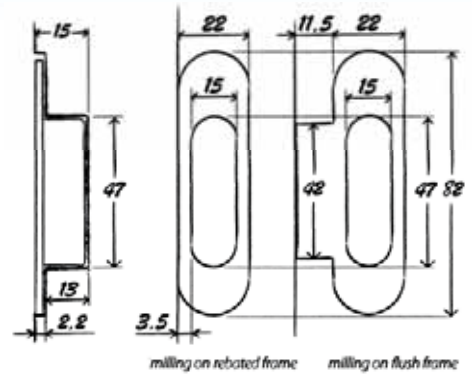
Made in Italy



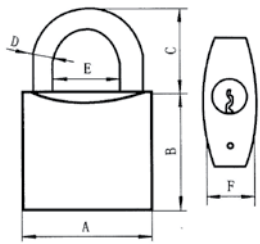
AGB Centro Focus

Magnetic Lockcase
With Bolt Latch
Backset: 50mm x 85mm

- Magnetic latch: Quiet closing
- Retractable Latch function while opening to prevent accident.
- Most suitable for hospitals, clinics, children's rooms, offices etc



Easy-matic Striker for Polaris / Centro Focus



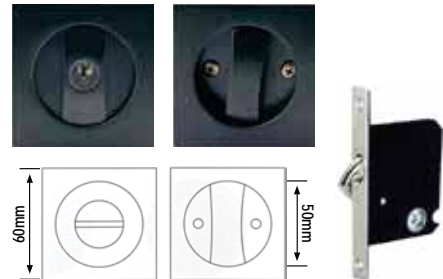
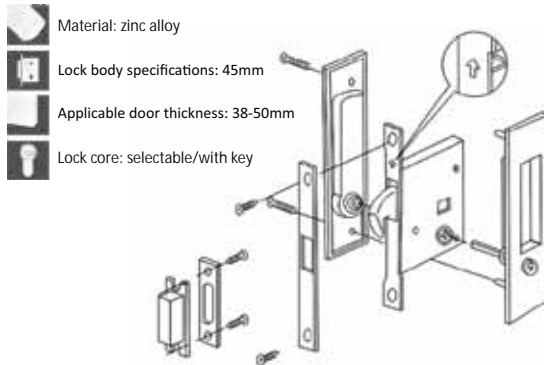
SUS 304 Stainless Steel Pad Lock

| Art.No | Size (MM) | Weight / (Pcs/g) | Shackle and lock body Dimension | | | | | | |
|--------|-----------|------------------|---------------------------------|----|----|----|------|----|---------|
| | | | A | B | C | D | E | F | NO.PINS |
| SS40 | 40 | 150 | 40 | 35 | 27 | 6 | 21 | 15 | 5 |
| SS50 | 50 | 266 | 50 | 43 | 34 | 8 | 25.3 | 17 | 5 |
| SS60 | 60 | 470 | 60 | 52 | 41 | 10 | 31 | 19 | 5 |
| SSL50 | 50 | 310 | 50 | 43 | 84 | 8 | 25.3 | 17 | 5 |



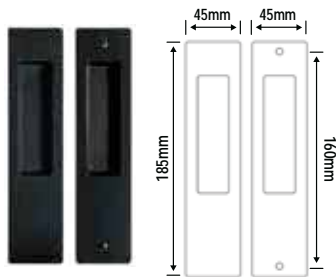
MI-808

Mortise Retractable
Edge Pull
Stainless Steel



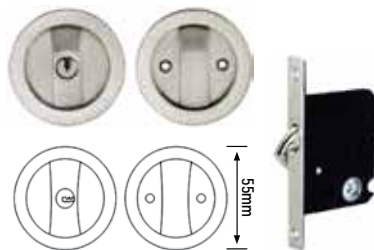
MI-2728 ET

Satin Nickel / Black
Sliding Door Lock



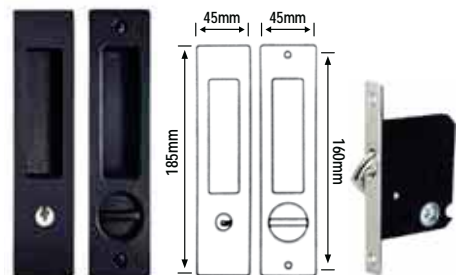
MI-580

Satin Nickel / Black
Sliding Door
Recessed Handle



MI-2718 ET

Satin Nickel / Black
Sliding Door Lock



MI-689 ET

Satin Nickel / Black
Sliding Door Lock

Colour: (BP) Brass Plated, (SN) Satin Nickel, (S/S) Stainless Steel, (AB) Antique Brass, (BSN) Brushed Satin Nickel



WINDOW LOCK WITH ROPE



WINDOW SECURITY LOCK- Item Code 311-R



ST-808-15 ET, BK BSN
Sliding Door Lock



MI-2712

Sliding Door Hook Lock
Brushed Satin Nickel
(Backset : 50mm)



MI-2722

Sliding Door Hook Lock Privacy
Brushed Satin Nickel
(Backset : 50mm)



ST-8305

Sliding Hook Lock
Stainless Steel
(Backset : 50mm)



E01-0207

Sliding Door Lock
Stainless Steel
(Entrance / Privacy)
Door Thickness: 32mm - 45mm
Backset: 50mm



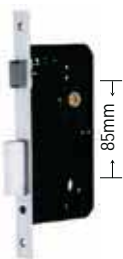
N8307

Sliding Double Hook Lock
Stainless Steel, Brass Plated
(Backset : 40mm)



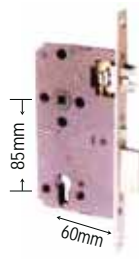
HL

Sliding Door Lock Stainless Steel
(Backset : 30mm, 50mm)



MOFIT 5085

Mortise Lockcase
Stainless Steel
(Backset: 50mm)



QA-60x85mm

Stainless Steel
Emergency Door
Mortise Lockcase



OS-30x85mm

Slash Lock with Stainless Steel
Forend Plate
(For Aluminium/Metal doors)



N8306 S/S

Dead Lock
(Backset : 50, 60mm)

Lock Architectural

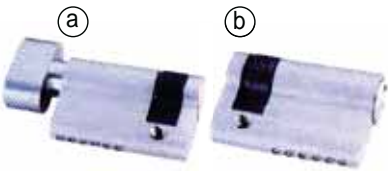
Colour: (BP) Brass Plated, (SN) Satin Nickel, (S/S) Stainless Steel, (AB) Antique Brass, (BSN) Brushed Satin Nickel



MI-03
Length : 70mm
Double Thumbturn Cylinder
Satin Nickel



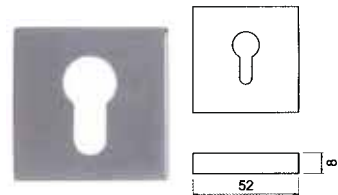
MI-02- a) Double Cylinder b) Thumbturn Cylinder c) Privacy Cylinder
Length : 50mm & 60mm & 70mm, 80mm, 100mm
Antique Brass / Brushed Satin Nickel / Brass Plated, Matt Black, Satin Black



(a) Thumbturn Half Cylinder
(b) Half Cylinder with KEY
Length : 45mm
Brushed Satin Nickel



B35-004
8mm Spindle for Single Sided
Lever Handle (For 1-Way Lock)



SQ004
Square Euro Profile
Escutcheon Cover
Stainless Steel



SS-01/SS-02
a. SS-01 Dummy Escutcheon Stainless Steel
b. SS-02 Euro Profile Escutcheon Stainless Steel



E02-0021
For 8mm Spindle
L: 22mm



DV-200
200 Deg Door Viewer Chrome



803871
Gold Plated, Antique Brass,
Satin Nickel, Antique Copper
Grip Handle Lockset



MI-202
Georgia
Solid Brass
Entrance Lockset



MI-219B
Brass Plated, Antique Brass,
Satin Nickel, Antique Copper
Grip Handle Lockset



Interactive^{CLIQ} Interactive[®] 7X7[™] MUL-T-LOCK[®]



MTL-7X7[™]

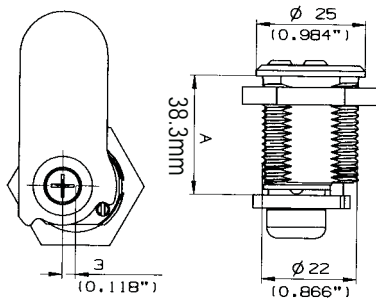
- Double side key : 60mm / 70mm longer length upon request
- Thumbturn / key cylinder : 60 / 70 mm longer length upon request

MTL-Interactive[®] CLIQ 3 in 1

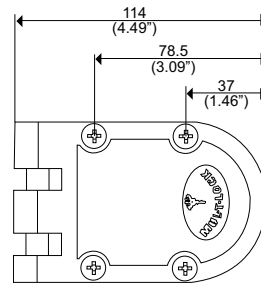
- Double side key : 60mm / 70mm longer length upon request
- Thumbturn / key cylinder : 60 / 70 mm longer length upon request

MTL-Interactive[®] 3 in 1

- Rim Cylinder can replace for most of dead locks
- American rim, cylinder available
- For all types of American handle lock sets.



MTL-High Security Cam Lock
38.3mm



MTL-Perseus[™]
Jimmy Proof Dead Lock



7X7[™]



MTL-G-Series PADLOCK
SIZE : 47mm & 55mm & 60mm

Interactive[®]



MTL-C-Series PADLOCK
Removeable, POP Open
(Key Retaining)
Size : 50mm & 63mm & 73mm



MTL-PADLOCK ACCESSORIES
Hasp for Glass Door
Size : 65mm x 55mm

Lock Furniture / Secret Lock



AM-203
File Cabinet Lock For Steel Furniture
Nickel Plated



AM-202
File Cabinet Lock For Steel Furniture
Nickel Plated



AM-406
File Cabinet Lock For Steel Furniture
Chrome



AM-201 Left / Right
File Cabinet Lock for Steel
Furniture Chrome



AM-502-22
Slam Lock for Showcase
Nickel Plated



AM-508-22
Two Turns Long Latch
*for cylinder length 22mm & 30mm
Nickel & Brass Plated



AM-509-22
Roller Shutter Lock
Nickel Plated



AM-709-A22
Nickel Plated
Sliding Door Lock For
Wardrobe & Cabinet
(For door width: 800mm, 1000mm)



AM-AL-02
Automatic Hook Latch
(For Double Doors Use)
Nickel Brass Plated



AM-506-12
Push in Lock
Nickel Plated



AM-503-23
Flap Lock
Nickel Plated



AM-666/C
For Central Locking
(*Side mount is also available)
Nickel Plated



AM-411-11
Lock for Single Inset Door



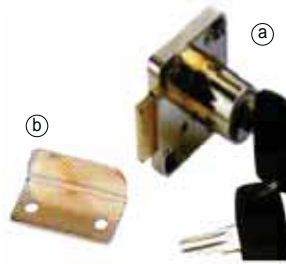
AM-411-10
Lock For Single Overlay Door



AM-411-2
Lock for Double doors



AM-668-C1
Side Mount Central Lock With
C1-Bar



a) AM-507-11 Drawer Lock
b) L-Striking Plated
Nickel Plated or Gold Plated



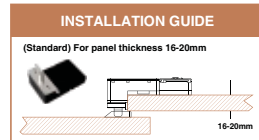
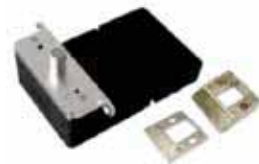
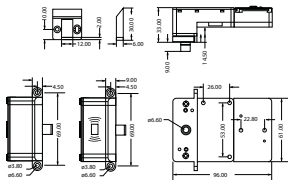
AM-513
Cabinet Lock for Double Doors
Nickel Plated



AM-505-16/25/30mm
Nickel Plated or Gold Plated
Cam Lock



AM-701-22
Rotating Bar Lock
Nickel Plated



SDWS-501

Invisible Lock for Sliding Door
Material : ABS lock housing
Power supply : 3 standard AAA alkaline batteries
Function card :
1. MANAGEMENT (PROGRAMMING) CARD -
is used to create user card
2. User card is the key of the lock
The same RF card can be shared by all the lock



a) SDWS-N001 b) AM-SDWC-507K

Electronic Cabinet Lock

- Easy program - no need for software or PC
- Reliable function for 16 - 25 mm wood/steel panel.
- Automatic on lock function.
- Low battery notification function.
- Easy to install.
- Available for push in & pullout doors.



AM-DL-002
4 Digit Combination Lock
Satin Nickel



DL-102
Black
3 Digit Combination Lock



* with Auto Reset

AM-DL-202
Auto return to zero
Combination Lock

Lock Furniture / Secret Lock



LAMP SCL-180
Hook Type for Sliding Door



LAMP SKL-180
Drawer Lock
Nickel Plated



LAMP 3320

Drawer Lock

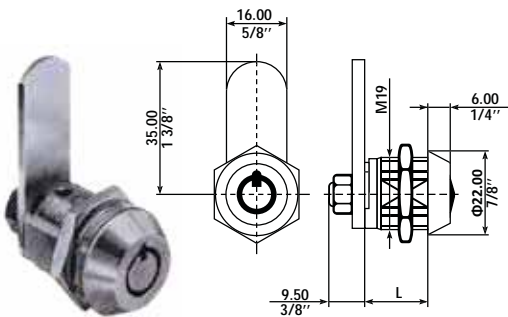
Diameter: 18mm x 24mm

Key is not removable in unlocked position, can be used as a knob



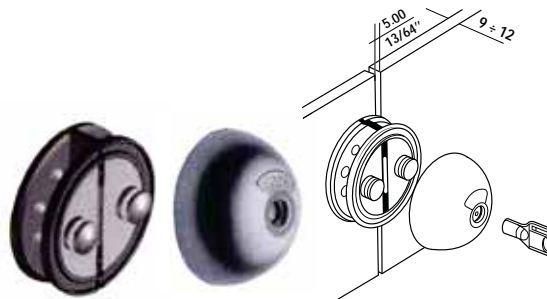
LAMP 7810-24

Reversible key lock, surface mounting type, with 3 hi-tech keys, one million key changes available. 22mm (7/8") diameter cylinder with satin lightnickel finish to match 304 stainless steel case.



MERONI 3351

16mm, 31mm Cam Lock
(250,000 Combination)



MERONI 3381GL

Kit for Glass Door

Invisible Magnetic Lock

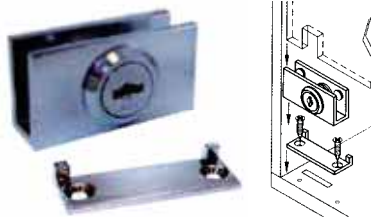
Made in USA



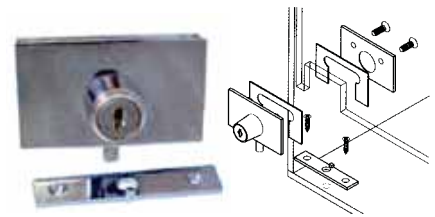
- To prevent children contact with chemicals & dangerous articles from the cabinet & drawers.
- To use it as secret cabinet or drawers due to no key hole and no handle required.
- R-201= Latch
- R-501= Magnetic Key
- Standard Packing: 2pcs Latch + 1pc Magnetic Key



AM-409
Sliding Glass Lock
Nickel Plated/Chrome Plated



AM410-5
Cabinet Swinging Glass Door
Cam Lock
For glass thickness 5mm~8mm



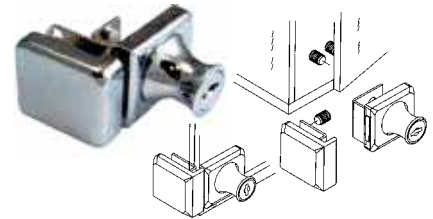
AM-410-6
Cabinet Swinging Glass Door
Plunger Lock
For glass thickness 8mm~10mm



AM 417-1/5
Cabinet Double Swinging
Glass Door Lock
Without boring hole on glass and
cylinder can be used as a knob
for glass thickness 5mm-6mm



AM 407-1/5
Cabinet Single Swinging
Glass Door Lock
Without boring hole on glass and
cylinder can be used as a knob
for glass thickness 5mm-6mm only



AM 407-3/5
Cabinet Single Swinging
Glass Door Lock
Without boring hole on glass and
cylinder can be used as a knob
for glass thickness 5mm-6mm only



AM-410-1
Single Glass Door Lock
Chrome or Gold Plated



AM-410-2
Single Glass Door Lock
Chrome or Gold Plated



AM 408/5
Cabinet Swinging Glass Door Lock
without boring hole on glass and
cylinder can be used as Handle
Glass Thickness 5, 8mm



AM-417-5
Cabinet Swinging Glass Door Lock
for Double Doors
without boring hole on glass and
cylinder can be used as handle
for glass thickness 5~6mm



AM 410-7L - for left-handed door
AM 410-7R - for right-handed door
Cabinet Swinging Glass Door
Pivoting Cam Lock
for glass thickness 8mm



SDGP-407/417
Smart Card Glass Door Lock
For 6-10mm Glass Thickness
(Battery Operated)

Hinges Furniture



MI-109
Soft Closing Hinge
With Cam Adjustment
(50,000 Opening Cycles)



MI-119
Clip-on Soft Closing Hinge
(30,000 Opening Cycles)



SSH-004
Short Arm
Soft Closing Hinge



SHG2-09/SPG - 09
Soft Closing
Diameter 35mm
Glass Hinge



SP02-09
SUS 304 Stainless Steel
Clip -On Soft Closing
Hinge



a) EH-001
Easy on Hinge
b) EH-001S
Soft Closing
Easy-on Hinge



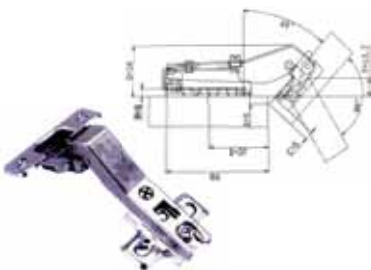
MI-238
Slide-on Soft Closing
Hinge
(Fixed Base Plate)



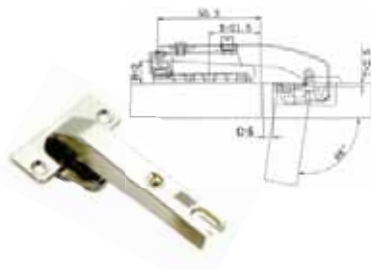
CD-09/0mm (Full overlay)
CD-08/18mm (Half overlay)
CD-07/15mm (Insert)
105° Slide-on Concealed Hinge



CM-09
40mm Cup
Hinges For Thick Doors



SH-002
Special Angled Hinges 45°
M80/45°



a)SH-003
90° Special Angled Hinge
b) SSH-003
90° Soft Closing Special
Angled Hinge



SH-005
30° Special Corner
Hinge



C-119
Mitered Hinge
Diameter: 35mm



SY-09
Click-on 175° Wide Angle
Crank 0,15mm
Cup Diameter: 35mm
(Soft closing)



SH-001
Side-on 135°
Pie cut Corner Hinge
Cup Diameter: 35mm



SH-004
Slide-on
Short Arm Hinge
Cup Diameter: 35mm



FGV 51MS15050005033
Slide-on 110°
Crank 0
Cup Diameter: 35mm



FGV 51MS150508050A2
Slide-on 110°
Crank 8
Cup Diameter: 35mm



FGV 51MS15051515033
Slide-on 110°
Crank 15
Cup Diameter: 35mm



FGV 51MW150500050A2
Slide-on 110°
Crank 0
Cup Diameter: 35mm



FGV 51AS25050005032
2-Way Slide-on 110°
Crank 0, 8, 15mm
Cup Diameter: 35mm (Soft closing)
(With Detachable Base Plate)



FGV 51ASH500T5034
2-Way Click-on 110° 2D
Crank 0
Cup Diameter: 35mm
(Soft closing)



FGV 51AS45050005032
Diameter: 40mm
Soft closing Hinges
Heavy Duty



FGV 51. MN57. R5. 00000
Slide-on 95°
Flap Hinge

Hinges Furniture

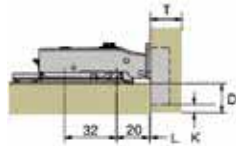


STRAIGHT PLATE CLIP ON SOFT HINGE

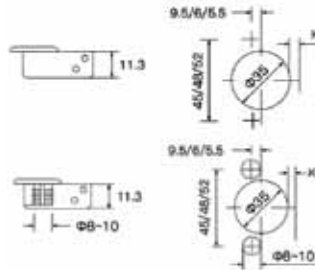
opening degree: 100 °
Diameter of hinge cup: Φ 35mm
Height of hinge cup: 11.3mm

Cup hole distance: 45mm/48mm/52mm
Dimension of door: 3-7mm
Range for door thickness: 14-22mm

Full Overlay / Half Overlay /
Inset Overlay



Installation Dimensions



MI-970-3D

Anthracite Black
Straight plate
Soft Closing Hinge



HF-270 270° Hinge



HF-015 150° Wide Angle Easy-on Hinge



CH-01A

Closet Hinge
Beige, Black

* Specially design for folding doors
* Always keep doors in position
when fully open and adjustable



MI-3810

Center Folding Hinge
Cup Diameter 35mm



LAMP PV-30

Pivot Type Inset Door Hinge
(Different application between
upper and lower pivot hinges)
Nylon and Steel



K 6100 CS

3D Concealed Hinge
Door Width : Max 600mm
Door Thickness : Min 18mm
Load Capacity : 10.5kgs (2pcs)



DH-003

Table Flap Hinge
Gold Plated, Chrome
70.5mm (w) x 30mm (H)
Zinc Alloy / Brass



Italiana Kimana

Φ 26mm Flap Hinge with
3 way adjustments
(For Upward & Downward
Door Opening)

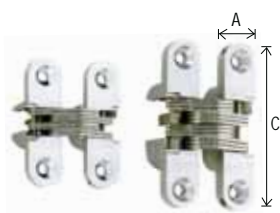


Brass Cylindrical Hinge

Diameter:
10, 12, 14, 16mm

Concealed Stainless Steel Link Hinges

| Model | A (mm) | C (mm) | Load capacity (2Pcs) |
|------------|--------|--------|----------------------|
| A03-002-03 | 12.4 | 43.7 | 7kgs |
| A03-002-04 | 12.7 | 60.4 | 10kgs |
| A03-002-05 | 15.7 | 68.8 | 20kgs |
| A03-002-06 | 18.4 | 94.0 | 30kgs |
| A03-002-08 | 27.8 | 116.0 | 70kgs |



A03-004

1.5" x 7FT x T 0.7mm
SUS 304 Stainless Steel
Piano Hinge



Technical Specifications:

- Depth of the metal box 15mm
- Opening 105°
- Possibility of wooden door drilling (K) from 3 to 6 mm
- Thickness of wooden door (T) 18mm minimum
- Recommended Door Weight : 16 - 18kgs



FGV 51.0AS1.03.KTOX.000 Libera Air Hinge With Soft Closing (Black)

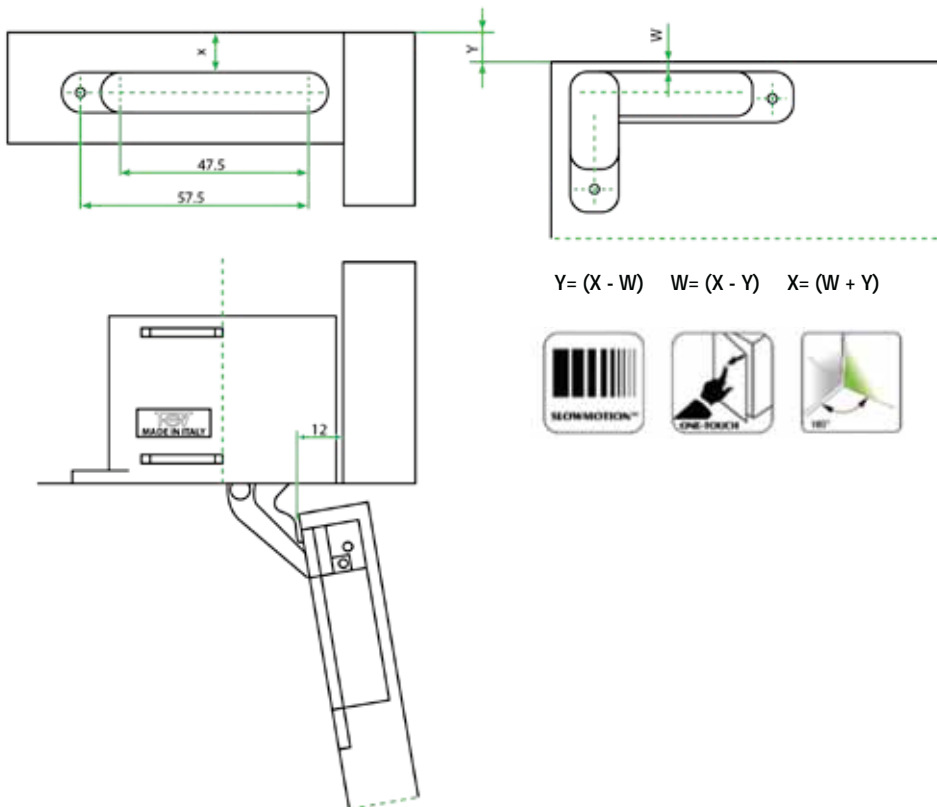
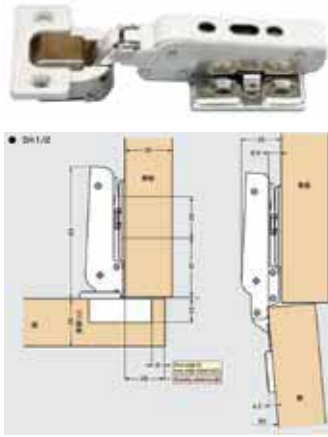


Table to determinate the minimum distance A so that a door with thickness can open without protrusion from the cabinet and without interfering with adjacent doors.

| T= | 18 | 20 | 22 | 24 | 26 | 28 | 30 | 32 |
|--------|----|-----|-----|-----|-----|-----|-----|-----|
| K=3 A= | 0 | 0.2 | 0.5 | 0.9 | 1.4 | 2.1 | 3.1 | 4.7 |
| K=4 A= | 0 | 0.2 | 0.5 | 0.9 | 1.4 | 2.0 | 2.9 | 4.2 |
| K=5 A= | 0 | 0.2 | 0.5 | 0.8 | 1.3 | 2.0 | 2.8 | 3.9 |
| K=6 A= | 0 | 0.2 | 0.5 | 0.8 | 1.3 | 1.9 | 2.7 | 3.7 |

LAMP Heavy duty concealed hinge, J-95



Features

- J-95 hinge supports a full height door up to 900mm wide of up to 25kgs on 2 hinges and 40kgs on 3 hinges.
- It is fitted into a 40mm hole which gives it a better grip on larger doors than the standard 35mm used on other hinges.
- Clip-on feature allows easy door installation / removal.
- 3-way adjustment function allows vertical, horizontal, and depth adjustment after hinge installed.

| Item name | Overlay distance (c=8mm) | Door thickness | Door weight | Material | Vertical adjustment | Horizontal adjustment | Depth adjustment |
|---------------|--------------------------|----------------|-------------------|-------------|---------------------|-----------------------|------------------|
| J95-C24 / 25T | 21-25mm | 18-30mm | Max. 25kg / 2 pcs | Steel / ZDC | ±3mm | ±0/-4mm | ±1.5/-4mm |
| J95-P6T | - | 18-30mm | - | Steel / ZDC | ±0/-3mm | ±0/-4mm | ±1.5/-2.5mm |



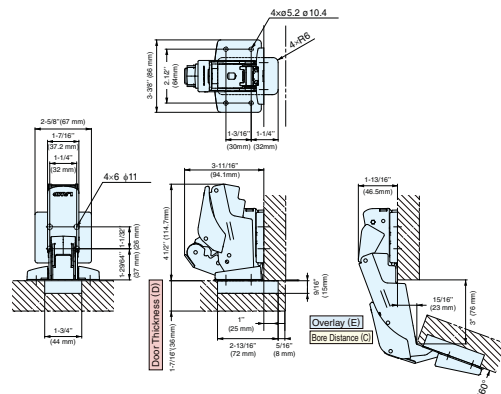
LAMP DC-200 Door Damper

Door Weight : 450-900mm
Door Height : Max 2400mm

Features

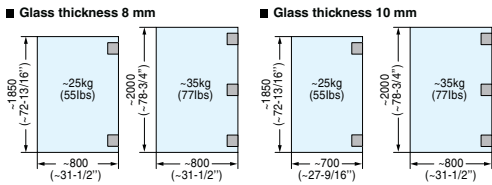
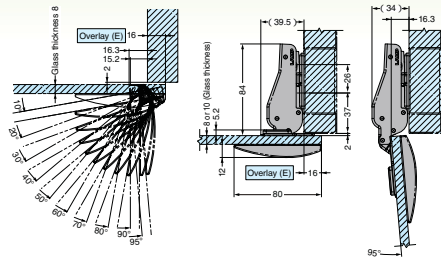
- Easy Installation
- Easy Adjustment
- Can be used for 7kg - 40kg
- Can be used with any type of hinge
- Passed 50,000 cycle test
- Non handed

LAMP J160 Heavy Duty Soft Close Hinge



Door Specs:

- Opening : 160°
- Door Width : 800mm (2pcs), 900mm (3pcs)
- Door Thickness : 18 - 36mm
- Door Weight : 25kgs (2pcs), 40kgs (3pcs)

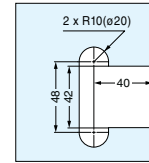


Glass Door Installation

| Glass Door Thickness (D) | Glass Door Opening Distance |
|--------------------------|-----------------------------|
| 8 | 0 |
| 9.5 | 0 |
| 10 | 0 |



Door Dimensions



LAMP J95-Heavy Duty Concealed Hinge (for glass doors)

- 3 way adjustment:
 - Horizontal : -4 - +0mm
 - Vertical : -3 - +3mm
 - Depth : -2.5 - +1.5mm

| | | |
|-----------------|--|--|
| Glass Thickness | 8mm | 10mm |
| Door Weight | Max. 25kg / 2pcs Max. 35kg / 3pcs | |
| Door Width | Max. 800mm | Max. 700mm / 2pcs Max. 800mm / 3pcs |
| Door Height | Max. 1850mm / 2pcs Max. 2000 mm / 3pcs | |

MonoFlat LIN-X hinge™



| | LAMP LIN-X450 | LAMP LIN-X600 |
|----------------|---------------|---------------|
| Door Width | 400-500mm | 550-650mm |
| Door Height | 600-2400mm | 600-2400mm |
| Door Thickness | 15-24mm | 15-24mm |
| Door Weight | 7-17kg / Door | 9-24kg / Door |

*Max door weight will vary depending on number of hinges used.

- Lateral Swing Mechanism
Allows to swing out laterally in small radius, ideal for tight front space application.
- Full access to cabinet
Door will not get in the way when fully opened providing full access to the cabinet.
- Free swing & soft-close.
- Easy Installation.
- 4-way Adjustable.
- Various Applications
- Corner use, double door use & overlapped door use.
- Please note handle position on other doors before installation, so that hinges will not interfere with the handles.

LIN-X800 Lamp Lateral Pullout



Door width - 1000mm Per Panel
Max. Door Weight - 40kgs

Technical Detail

| | LIN-X800 | LIN-X800H |
|----------------|----------------------|--------------|
| Door Width | 750 - 850 mm | |
| Door Height | Max. 2400 mm | Max. 2980 mm |
| Door Thickness | 24 - 40 mm | |
| Door Weight | Max. 40 kg per door | |
| Usage | 1 per door (Overlay) | |

Features

- Innovative movement keeps doors discretely out of the way. Door closes flush with surrounding walls for sleek and clean design. No need to do special processing on any wall for grooves or rails. Can be used on aluminium frames (if the frame has a thickness over 120 mm).

LAMP H360 Olympia Soft Closing Hinge

Thick doors 26mm overlay / 100° opening

With damper function (5 levels)



Damper power adjustment lever

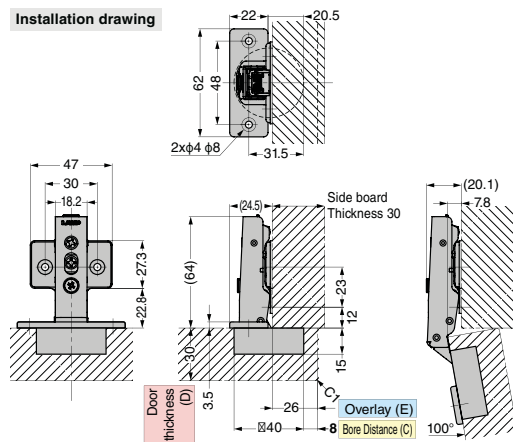
The picture above shows a combination of a concealed hinge (with damper) and a mounting plate (sold separately).

| |
|--|
| Overlay 22-26mm (when bore distance is 8mm) |
| Cup size ϕ 40 Bore Depth 15mm Door Thickness 18-30mm |
| 3D adjustment Depth: +1.7, -2.8mm, Vertical: \pm 2.5mm, Overlay: +0, -4mm |

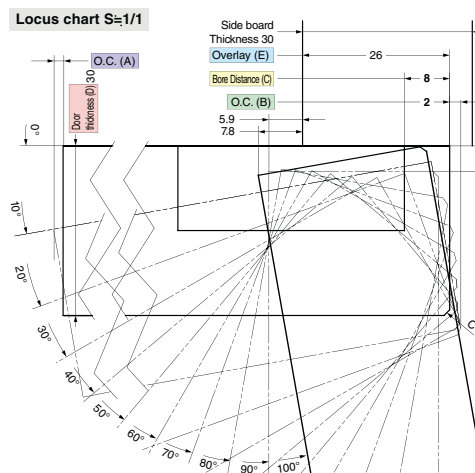
Sold separately: ▶ P.17 -

- Mounting plates
- Countersunk head tapping screw 3.5 × 15NI
- Recommended screws: (Countersunk head wood/tapping screw 3.5)

▶ The installation drawing and locus chart shown are for a 30 mm thick door and side board, 26mm overlay and a 8mm bore distance.

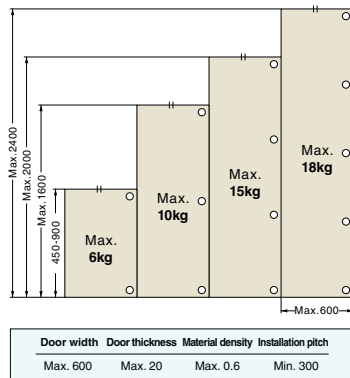


Drawings show a hinge, face plate and 360-P4W-30T mounting plate (sold separately).

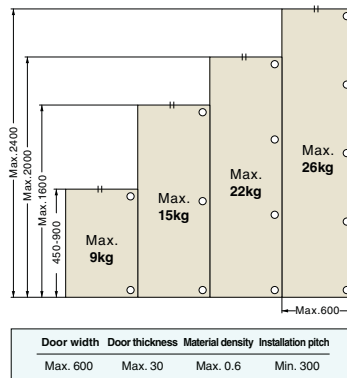


Door size and recommended hinge quantity

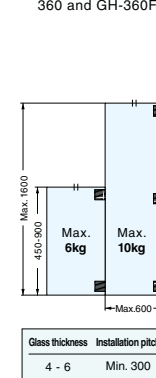
■ Standard wood doors 360



■ Thick wood doors H360



■ Glass doors 360 and GH-360FP



LAMP 100-46/19 SUS 304B

Stainless Steel
Concealed Hinge



LAMP SDH-G

Dia : 35mm
Door Hinge
For Glass Door



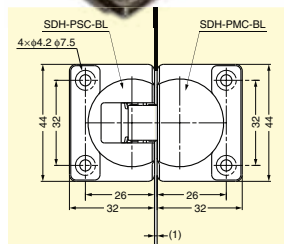
LAMP SDH-P

Diameter : 35mm
Adjustable Drop Hinge

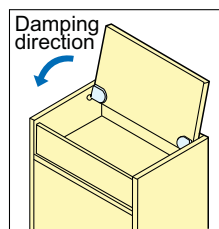
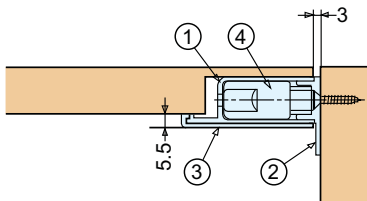
Features

- 3-way adjustment
Overlay: 16 - 19 mm
/ Horizontal: \pm 1mm
Door gap: 1-3 mm/90°C,
opening Angle.

Door Height Max: 500mm
Door Width Max : 1200mm



Mirror Lid Door



Ideal for shallow box or any compartments

LAMP Soft Closing Damper Hinge

- Hinge with built-in damper to keep lid from slamming shut.
- Mortise mount type.
- Ideal for small size lid.
- Sold in pairs.

Medium Duty

| Item No. | Part Name | Colour | Torque per pair (kgf.cm) |
|--------------|-----------|--------|--------------------------|
| HG-JHM 16-34 | Body | Black | 20-34 (17.4-29.5 lbs.in) |
| HG-JHM 16-50 | | | 34-50(29.5-43.4 lbs.in) |

Heavy Duty

| Item No. | Cover Plate | Torque per pair (kgf.cm) |
|---------------|-------------|--------------------------|
| HG-JHN20-80BL | Black | 60-80 |
| HG-JHM20-80WT | White | |

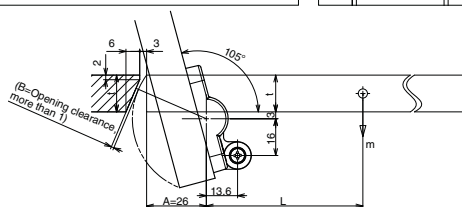
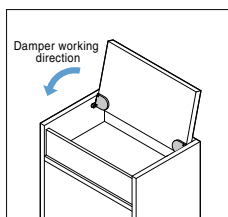
Criterion of Door Weight

| Door Height D | Door Weight M | |
|---------------|----------------|----------------|
| | HG-JHM16-34 | HG-JHM16-50 |
| 250 | 2.19-3.73 kg | 3.73 - 5.48 kg |
| 300 | 1.73 - 2.94 kg | 2.94- 4.32 kg |
| 350 | 1.43 -2.42 kg | 2.42 - 3.57 kg |
| 400 | 1.21 - 2.06kg | 2.06 - 3.03 kg |
| 450 | 1.06 - 1.80 kg | 1.80 - 2.64 kg |

Criterion of Door Weight - HG - JHM20

| Door Height D | Door Weight M |
|---------------|----------------|
| 50 | 5.58 - 8.77 kg |
| 300 | 5.18 - 6.91kg |
| 350 | 4.28 -5.70 kg |
| 400 | 3.64 - 4.86kg |
| 450 | 3.17 - 4.23kg |

LAMP HG-JHM11 Soft Closing Damper Hinge



*1=16. Prepare more than 1 for Gap B of Opening clearance.

Remarks

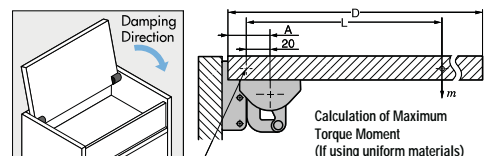
- Applicable moment of door: 0.05-0.4N.m. Use a pair/door.
- When installing, ensure that both hinge shafts are levelled and alighted.
- Damper mechanism works when opening the lid by about 60 ° or more. Otherwise, damper may not work.
- Prepare stopper separately to keep the lid closed.
- Closing speed may change depending on operating temperature.

LAMP Surface Mounted Damper Hinge HG-JHM20T



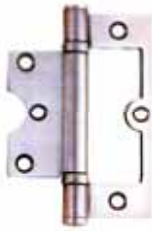
Set - Black

Sold as one set (left/right) only



| Lid thickness | Standard | | Chamfered Edge | |
|---------------|----------|-------------|----------------|-------------|
| | A | Minimum gap | A | Minimum gap |
| 16 | 36 | 4 | 38 | 2 |
| 18 | | | 37 | 3 |
| 20 | | | - | - |

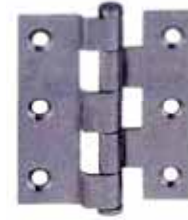
Hinges Architectural



MI-01-030
3", 4"
Stainless Steel
BI-Fold Hinge



A01-004
4" x 3" x 3mm, 5" x 3.5" x 3mm
Matt Black
Stainless Steel Hinge



MI-016
Aluminium Frame Cranked Hinge
4" x 3" x 2.0mm
SUS 304 Stainless Steel



A01-004
Stainless Steel Hinge
2" x 1.2mm
2.5" x 1.2mm
3" x 1.5mm
100 x 73 x 1.5mm
SUS201(4BB)
4" x 3" x 2mm (2BB)
4" x 3" x 3mm (4BB)
5" x 3.5" x 3mm (4BB)
6" x 3.5" x 4mm (4BB)
(Available in SUS304 & SUS316
Stainless Steel)



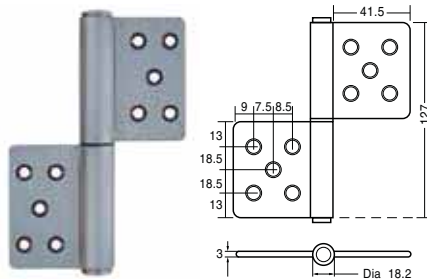
a) ST-C168, ST-C188
a) Single Aluminium Alloy Spring Hinge
(with speed adjustment)
180 x 80 x 4mm
b) Double Aluminium Alloy Spring Hinge
(with speed adjustment)
180 x 80 x 4mm



DAS-001
SUS 304 Stainless Steel
Double Action Hinge
3", 4", 5", 6"



A01-014
4" x 3" x 33mm
Cranked Hinge
SUS 304 Stainless Steel



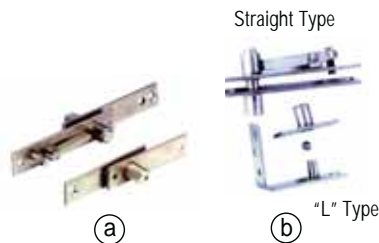
A01-028
125 x 102 x 3mm
SUS 304 Stainless Steel Flag Hinge



MI-316
SUS 304 Stainless Steel 360°
Centre Pivot Hinge
Size : 75mm, 102mm



ST-C122
PIVOT Hinge (Adjustable)
- Door Thickness : 29 - 40mm
- Max. Door Height : 2200mm
- Max. Door Width : 900mm
- Max. Door Weight : 45kgs



a) C-117 b) C-117-B
SUS 304 Stainless Steel
Pivot Door Hinge
Max. Door Weight : 80kgs

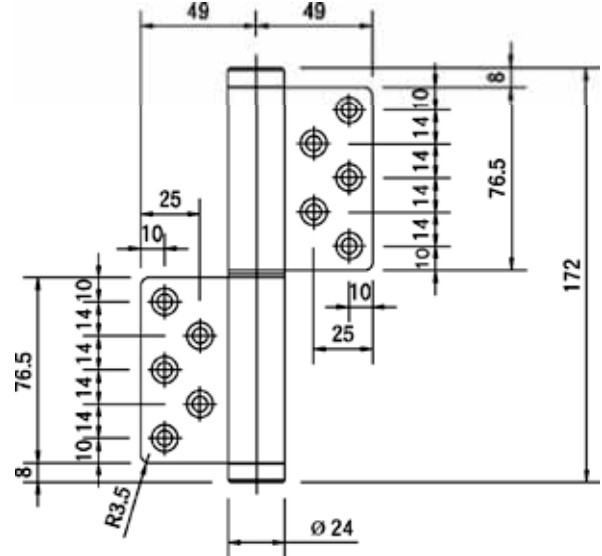


ST-C121
Pivot Hinge with Auto Closer &
90° Hold Open,
Max. Door Weight: 45kgs



Hydraulic Auto Spring Hinge

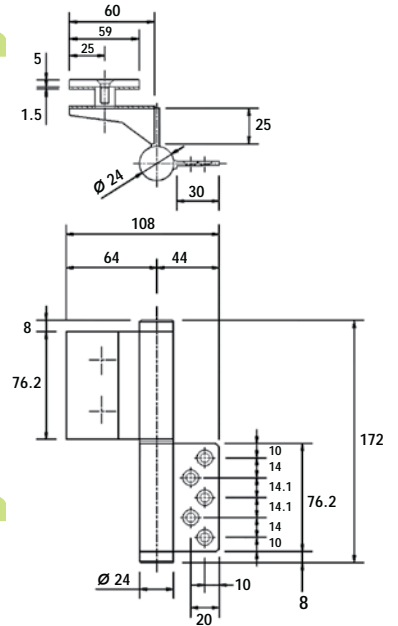
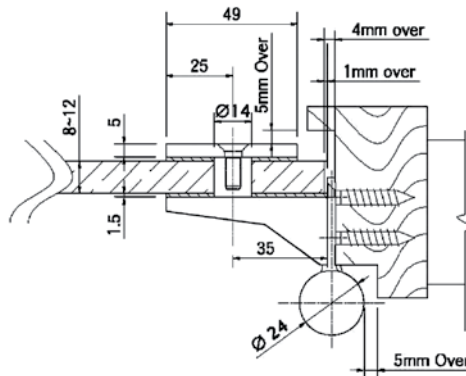
Made in Korea



| Series | Product Code | Closing Force (N.m) | Size (Φ/mm) | Weight (g) | Max Opening Degree | Hold Open Degree | Material | Coating | Installation | Function |
|--------|--------------|---------------------|----------------|------------|--------------------|------------------|------------|---------|--------------|----------|
| F | 50M | 5.0 | Φ24X 172X98 | 600 | 180° | 80° ~180° | AL St'l | Liquid | Mortise | Multi |
| | 50S | | | - | | Spring | | | | |
| | 50E | - | | 400 | | 0°~180° | | | | Dummy |

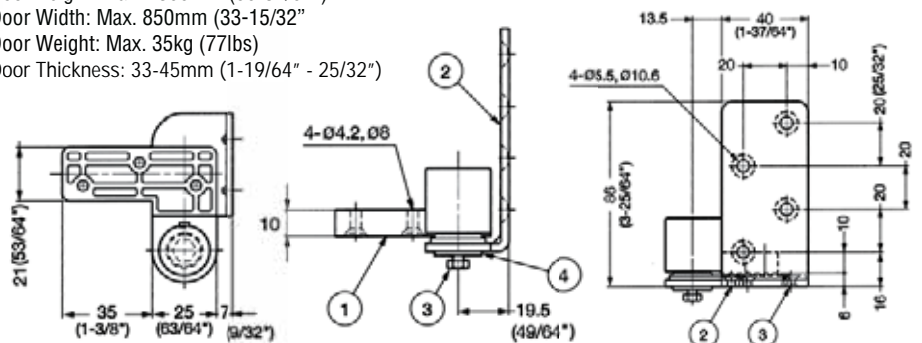


FSG-50 Glass Door Hydraulic Auto Hinge



LAMP PH-01 (2 Way Adjustable Pivot Hinge)

- Vertically and laterally adjustable after installed.
- Sold in pairs (top and bottom), non-handed.
- Supplied with wood screw 4x30.
- Separate body and bracket for easy installation.
- Door Height: Max. 2300mm (90-34/64")
- Door Width: Max. 850mm (33-15/32")
- Door Weight: Max. 35kg (77lbs)
- Door Thickness: 33-45mm (1-19/64" - 25/32")



Hinges Architectural

LAMP HES3D-120

3-Way Adjustable Concealed Hinge

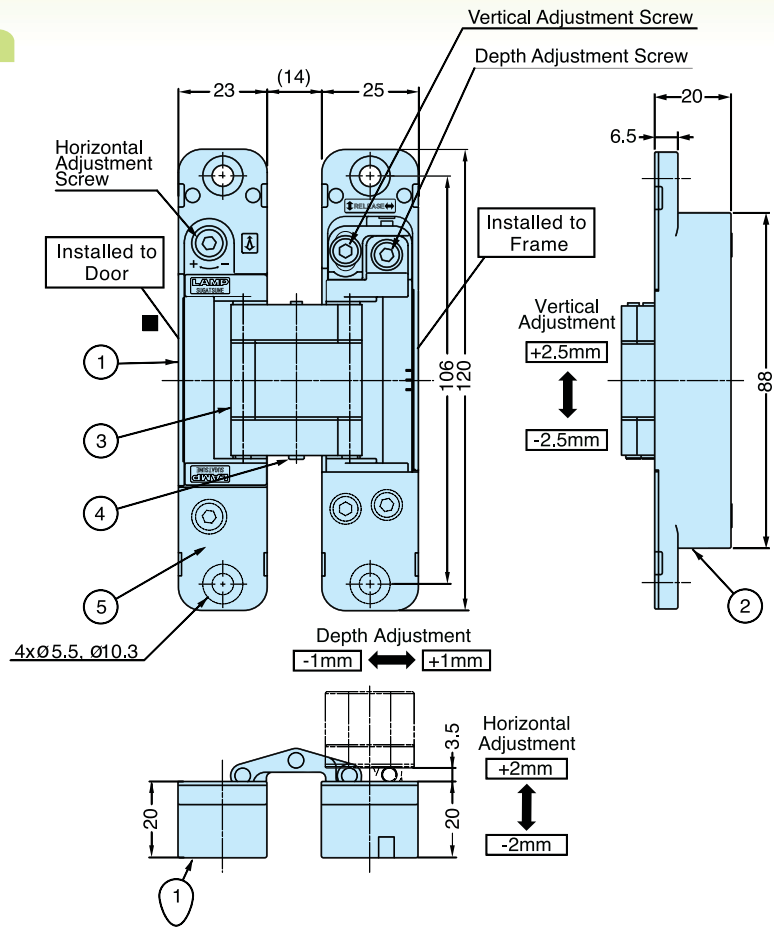
- 3 WAY adjustment function allows vertical, horizontal, and depth adjustment after hinge installed.
- Easy installation and adjustment.
- Successfully passed 300,000 open/close private cycle tests.
- Supplied with steel flat head screw.
- Cover hides all screw heads for clean appearance.
- Door weight : Max. 30kg/ 2pcs, 40kg/3pcs
- Door Thickness : Min. 29mm
- Max. Door Size : H 2400mm × W 900mm



HES3D-120DN

HES3D-120DC

** Available In Black Colour*



LAMP HES3D-E190

3-Way Adjustable Concealed Hinge

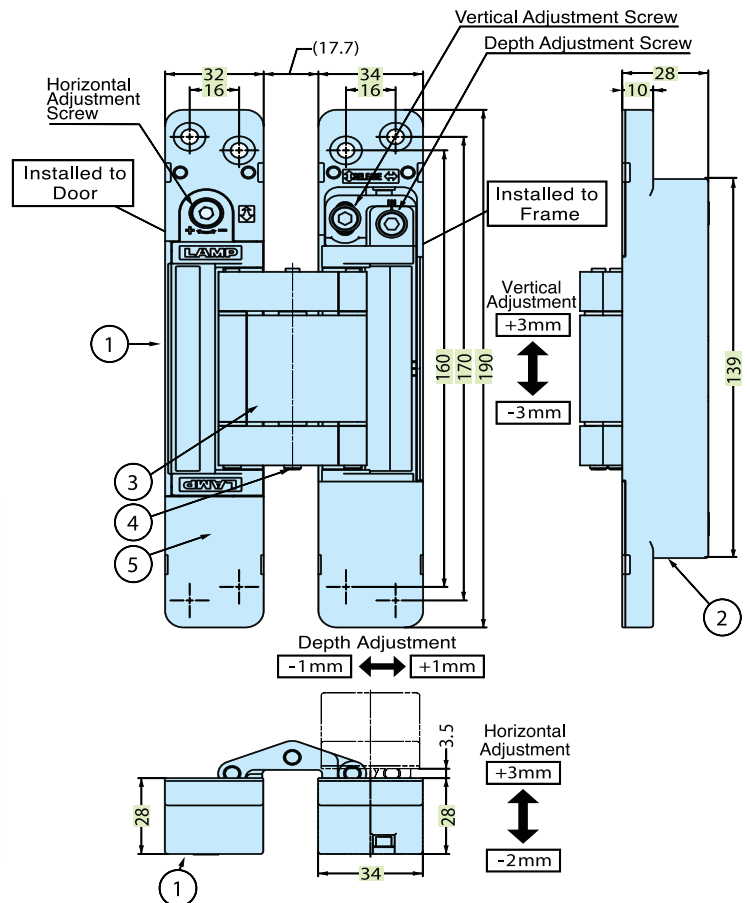
- 3 WAY adjustment function allows vertical, horizontal, and depth adjustment after hinge installed.
- Easy installation and adjustment.
- Successfully passed 300,000 open/close private cycle tests.
- Supplied with steel flat head screw.
- Cover hides all screw heads for clean appearance.
- Door weight : Max. 100kg/2pcs, 125kg/3pcs
- Door Thickness : Min. 38mm
- Max. Door Size : H 2400mm × W 900mm
- Available with wider throw for thicker or clad doors.

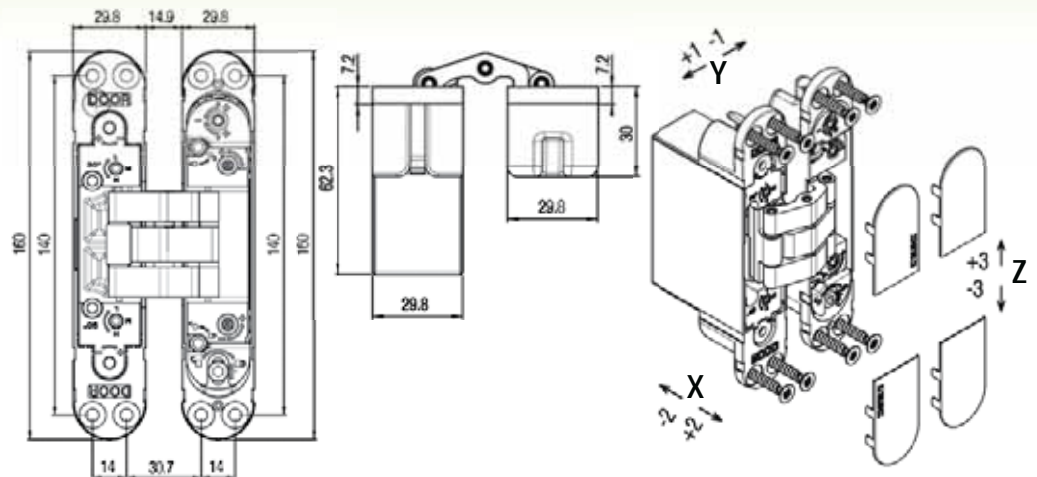
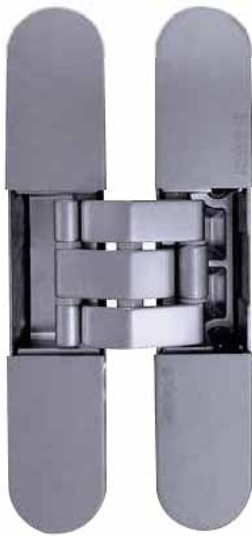


HES3D-E190 DN

HES3D-E190 DC

HES3D-E190 BK

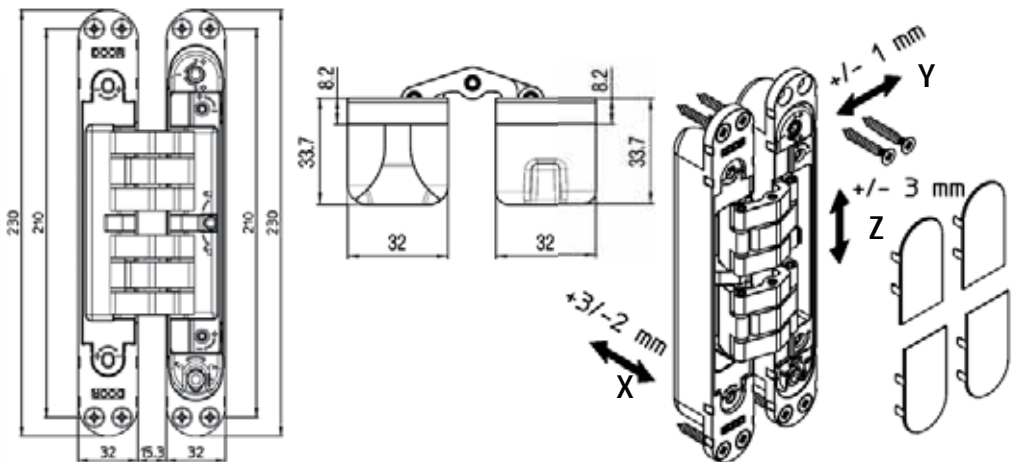




K2000

3D Concealed Door Hinge
with Self Close Function
Satin Chrome

| | | | |
|---|-----------------------------|--|--|
| <p>Realizzazione Version</p> <p>ZAMA ZAMAK</p> | <p>Finitura - Finishing</p> | <p>min. 40 mm</p> | <p>Regolazioni Adjustments</p> <p>3D</p> |
| <p>60 kg (3: cerniere - hinges)</p> | <p>180°</p> | <p>Viti per fissaggio Fixing screw</p> | <p>Adjustments Self-closing speed</p> |



K7200

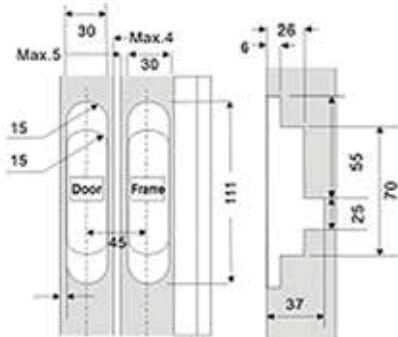
3D Concealed Door Hinge
Satin Chrome
(Heavy Duty)

| | | | |
|---|-----------------------------|--|--|
| <p>Realizzazione Version</p> <p>ZAMA ZAMAK</p> | <p>Finitura - Finishing</p> | <p>min. 40 mm</p> | <p>Regolazioni Adjustments</p> <p>3D</p> |
| <p>200 kg (2: cerniere - hinges)</p> | <p>180°</p> | <p>Viti per fissaggio Fixing screw</p> | |

Hinges Architectural

ST-C118

Satin Chrome
Concealed Door Hinge



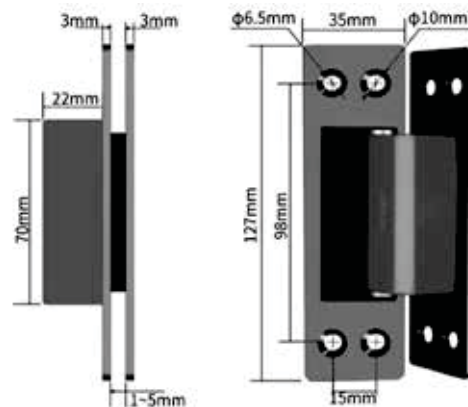
Features

- A. For wooden doors
- B. For swing doors
- C. Concealed installation
- D. With 3D adjustable ± 1.5 mm, depth ± 1 mm and width ± 1 mm
- E. Opening 180°
- F. Made of special Zinc alloy
- G. Left / Right Handed

Technical Data

- A. Max. door weight : 60kgs / 2pcs
- B. Min. door thickness : 38mm
- C. Max. door width : 1000mm

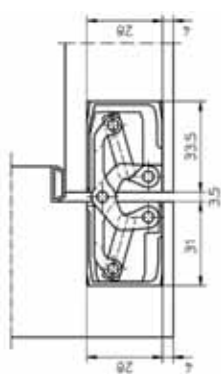
MI-335



SUS 304 Stainless steel
Wall to door hinge
Load capacity 50kgs / pair

TE 340 3D

3D Adjustable
Concealed Hinge
Satin Gold

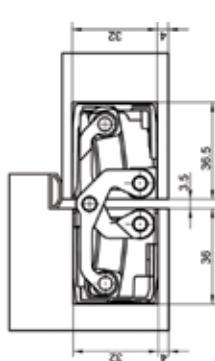


Technical details

| Attributes | Value |
|--------------------|----------|
| Load capacity | 80,0 kg |
| Overall length | 160,0 mm |
| Width (door part) | 28,0 mm |
| Width (frame part) | 28,0 mm |
| Cutter diameter | 24,0 mm |
| Opening angle | 180° |

TE 540 3D

3D Adjustable
Concealed Hinge
Satin Gold



Technical details

| Attributes | Value |
|--------------------|----------|
| Load capacity | 120,0 kg |
| Overall length | 200,0 mm |
| Width (door part) | 32,0 mm |
| Width (frame part) | 32,0 mm |
| Cutter diameter | 24,0 mm |
| Opening angle | 180° |

TE 310 2D

2D Adjustable
Concealed Hinge
Satin Nickel / Black

For Flush glass doors, for 8-10 mm ESG-glass without drilling the door leaf for timber, steel or aluminium frames continuous side adjustment (+ 3,0/-2,0 mm), continuous height adjustment with additional vernier adjustment (+/- 1,0 mm), maintenance-free slide bearings rebate width 11-15 mm,



Technical details

| Attributes | Value |
|--------------------|----------|
| Load capacity | 60,0 kg |
| Overall length | 160,0 mm |
| Width (door part) | 28,0 mm |
| Width (frame part) | 28,0 mm |
| Cutter diameter | 24,0 mm |
| Opening angle | 180° |

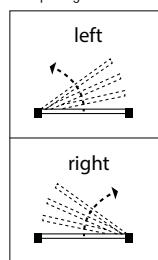


HIDDEN INTO THE DOOR FRAME:
prevent from damages!

INVISIBLE DOOR-CLOSER For Metal Gate

| Item Nr. | Designation |
|--------------------|--|
| 25310 D 25310 G | Pivot working in simple action, integrable in tubular tracks starting at $\varnothing 35$. For doors up to 80 kg. Entirely hidden system avoiding any damages. 25310 D : opening on the right 25310 G : opening on the left |
| 25314 D 25314 G | Dito starting at $\varnothing 40$. For doors up to 130 kg 25314 D : opening on the right 25314 G : opening on the left |
| 25318 D 25318 G | Dito starting at $\varnothing 50$. For doors up to 200 kg 25318 D : opening on the right 25318 G : opening on the left |

Choice of the opening direction



Detailed view of the access trap



GATES MOUNTED ON PIVOTS

UTILIZATION FOR GATE

It is recommended to place a pivot in the upper part :
Item Nr 25051 H : Welding version
Item Nr 25052 H : Screwing version



UTILIZATION FOR DOOR

A special upper pivot for door is supplied with our door-closer.





MI-1101
90° Series Shower Hinges
Chrome



MI-1103
135° Series Shower Hinges
Chrome



MI-1104
180° Series Shower Hinges
Chrome



MI-1105
360° Rotatable Glass Hinge
Chrome



MI-2101
Wall to Glass
Shower Hinge
Matt Black / Satin Gold



MI-2104
Glass to Glass
Shower Hinge
Matt Black / Satin Gold



B0076
SN
Glass Pull
Glass Thickness: 5mm-6mm



B0074
SN
Glass Hinge
Glass Thickness: 5mm-6mm



B0075
SN
Glass Center Hinge
Glass Thickness 5mm-6mm



(a) MI-049/ (b) MI-059
Stainless Steel Hi-Fi Hinges
(a) 6-8mm, (b) 10-12mm



CM-861
Glass Hinge
For 8-10mm glass
Satin Nickel



AM 3010
Non-Bore-Hole Showcase
Display Glass Door Hinge

Hinges Glass



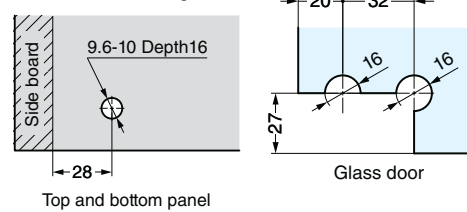
LAMP GS-GH20

- For inset glass doors
- Can be used together with glass bracket GS-GB20 and lock GS-GL20 for a total design of your showcase.
- Temporary holding feature allows the door to be installed easily by one person.
- Sideways adjustment ($\pm 2.5\text{mm}$) possible after installation of the door.

Parts supplied with set

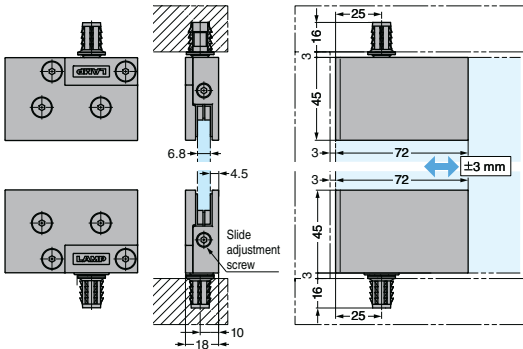
- Gasket (For 6mm thickness glass door)
- Spanner Hex.3

Installation drawing



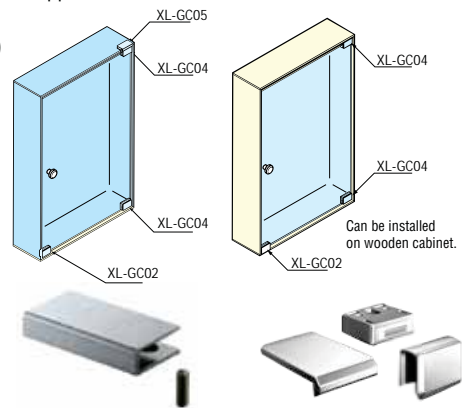
Sold in set (2pcs).

| Item Name | Finish | Door Width | Door Height | Glass Thickness | Door Weight (kg/set) |
|------------|-------------------|------------|--------------|-----------------|----------------------|
| GS-GH20-CR | Chrome | Max. 700mm | Max. 1,600mm | 6.8mm | 20 |
| GS-GH20-GP | Gold (24K) Plated | | | | |
| GS-GH20-BL | Black | | | | |



LAMP Glass Showcase Hardware

- Hinges, Locks and Sliding door hardware with same design concept.
- Swing and Sliding Doors can be operated with a single key.
- Key hole is located on the side for clean appearance.
- 5-8mm Glass Thickness
- Door size: W500 x H1200mm (max)
- Load capacity : 12kg/Door
- Chrome Finish



XL-GC01 CR
Glass Lock
Double Door

XL-GC02 CR
Glass Lock
Single Door

XL-GC04 CR
Glass Hinge

XL-GC05 CR
Bracket For
Glass Panel

XL-GC09 CR
Magnet Catch
Set



LAMP GH-34/8
Lamp
Glass Door Hinge
Chrome Plated



334GG8IN / 336GG8IN

- Glass / Glass Hinge**
5 - 8mm thickness
- Glass on glass application
 - For inset and overlay doors
 - New 3D adjustment
 - 270° opening



334HG8IN / 336HG8IN

- Glass / Wood Hinge**
5 - 8mm thickness
- Glass on wood application for wood and steel furniture
 - For inset and overlay doors
 - New 3D adjustment
 - 270° opening

Made in Italy

Measurements : Dia = Diameter, L = Length, W = Width, H = Height
 Finishes : (BSN) Brushed Satin Nickel, (SC) Satin Chrome, (AB) Antique Brass, (MSN) Matt Satin Nickel, (MN) Matt Nickel



BM-03027
Hole: Hole - 96mm



BM-03850
Hole: Hole - 96mm



BM-03085
Hole: Hole - 64mm, 96mm



BM-03093
Hole: Hole - 64mm, 96mm



BM-03002
Hole: Hole - 96mm



BM-06213.07500
Hole: Hole - 96mm



BM-09204.04500
Dia. 45mm



BM-06214.08000
L80mm x W68mm



BM-24410
Dia. 30mm



BM-24401
Dia. 30mm



BM-24216
Dia. 29mm



BM-24405
Dia. 30mm

Handle Furniture

Measurements : Dia = Diameter, L = Length, W = Width, H = Height
 Finishes : (BSN) Brushed Satin Nickel, (SC) Satin Chrome, (AB) Antique Brass, (MSN) Matt Satin Nickel, (MN) Matt Nickel

Made in Italy



BM-21391
L72mm x W22mm



BM-21392
L71mm x W22mm



BM-21399
L72mm x W22mm



BM-09238
Dia. 34, 42, 50mm



BM-37725
L58mm x W31mm



BM-15109
Hole: Hole - 64mm, 96mm



BM-24850
Dia. 30mm



BM-24479
Dia. 31mm



BM-06221
a) L88mm x W68mm
b) L71mm x W54mm



BM-12235
Dia. 37, 47, 55mm



BM-12210
Dia. 50, 66mm

Measurements : Dia = Diameter, L = Length, W = Width, H = Height
 Finishes : (BSN) Brushed Satin Nickel, (SC) Satin Chrome, (AB) Antique Brass, (MSN) Matt Satin Nickel, (MN) Matt Nickel



BM-151282.09
 Hole: Hole: -
 96mm, 128mm
 Florence Bronze



BM-24130Z030000.09
 Hole: Hole - 96mm, 128mm
 Antique Bronze



AN-2143
 Hole: Hole - 96mm
 Antique Brass



F3263 AEB
 Hole: Hole - 96mm, 128mm
 Antique Bronze



AN-2120
 L108 X H62.3mm
 Antique Brass



F3268 AE
 Hole: Hole - 96mm, 128mm
 Antique Bronze



AN-2123
 Dia. 49mm
 Antique Brass



F363-96
 Hole: Hole - 96mm
 Antique Bronze



AN-2115
 Hole: Hole - 64mm
 Antique Brass



F3246L AEB
 Hole: Hole - 64mm
 Antique Bronze



F317 AE
 Dia. 38mm
 Antique Bronze



F337 AE
 Dia. 32mm X 32mm
 Antique Bronze



F3220 AEC
 Dia. S= 33mm, L= 51mm
 Antique Bronze
 Cooper



F2828 AEF
 Antique Bronze

Handle Furniture

Measurements : Dia = Diameter, L = Length, W = Width, H = Height
 Finishes : (BSN) Brushed Satin Nickel, (SC) Satin Chrome, (AB) Antique Brass, (MSN) Matt Satin Nickel, (MN) Matt Nickel



F303 AE
 Dia. 30mm
 Antique Bronze



F409 AE
 Hole: Hole - 76mm
 Antique Bronze



F322 AE
 Diameter: 33mm
 Antique Bronze



F446 AE
 Hole: Hole - 96mm, 128mm
 Antique Bronze



F366
 64mm, 96mm
 Antique Bronze



C504-2AE C264
 Diameter: 38mm
 Ceramic



C506 AE W01
 Hole: Hole - 64mm, 96mm
 Antique Brass / Ceramic



C504-2 AEB C264-96
 Hole: Hole - 96mm
 Antique Brass / Ceramic



C802 AE W01
 Diameter: 32mm
 Ceramic / Antique Bronze



C051 W44
 Diameter: 38mm
 Ceramic



C051 W01
 Diameter: 38mm
 Ceramic



C054-24EB W211
 Hole: Hole - 96mm
 Antique Brass / Ceramic

Handle Furniture

Measurements : Dia = Diameter, L = Length, W = Width, H = Height
 Finishes : (BSN) Brushed Satin Nickel, (SC) Satin Chrome, (AB) Antique Brass, (MSN) Matt Satin Nickel, (MN) Matt Nickel



ST-1179
 Dia. 20mm, 25mm
 Brushed Satin Nickel / Satin Chrome,
 Satin Gold, Matt Black



FH-135
 Hole: Hole - 128mm
 SUS304 Stainless Steel



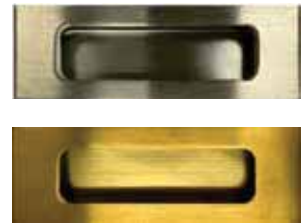
MI-609
 L150mm x W50mm x T13mm
 Stainless Steel
 Matt Black / Matt Gold



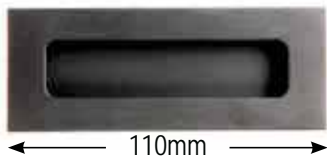
LAMP FH-100BK
 Satin Nickel
 Flush Pull with spring
 L100 x W25 x T16(mm)



ST-1125
 Hole: Hole - 96mm, 128mm
 Brushed Satin Nickel



MI-505
 L120mm x W40mm x T13mm
 Satin Stainless Steel,
 Satin Gold



MI-SA005
 Hole : Hole- 96mm
 L144mm, L110mm x W42mm x T15mm
 Matt Black



ST-5049
 Hole: Hole - 76mm, 96mm
 Brushed Satin Nickel



ST-709 S,L
 Dia. 35mm, 40mm
 Brushed Satin Nickel



MI-718
 L202mm x W52mm x T13mm
 Hole : Hole - 192mm



ST-5048
 Hole: Hole - 96mm, 160mm
 Matt Satin Nickel, Satin Chrome



2341
 Hole: Hole - 85mm
 Silver/Black Base

Handle Furniture

Measurements : Dia = Diameter, L = Length, W = Width, H = Height
 Finishes : (BSN) Brushed Satin Nickel, (SC) Satin Chrome, (AB) Antique Brass,
 (MSN) Matt Satin Nickel, (MN) Matt Nickel



F255L
 L69mm x W25mm
 Satin Nickel



F182
 L50mm x W50mm
 Brushed Satin Nickel



AN-1133 S,L
 L: 51.5mm x 13.7mm
 L: 73.6mm x 20mm
 Brushed Satin Nickel



AN-5056
 Hole: Hole - 96mm, 128mm, 160mm
 Brushed Satin Nickel / Aluminium



MI-330
 Hole: Hole - 96mm, 128mm, 160mm
 Aluminium



F1074
 Hole: Hole - 128mm, 160mm, 320mm
 Brushed Satin Nickel



F 6035 A
 Hole: Hole - 192mm, 256mm
 Brushed Satin Nickel



F798
 Hole: Hole - 128mm, 192mm, 320mm
 Brushed Satin Nickel



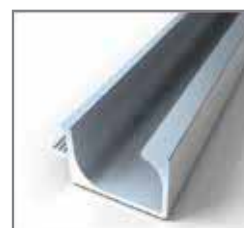
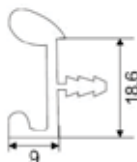
F1132
 Hole: Hole - 160mm, 192mm
 Brushed Satin Nickel



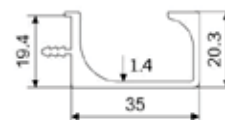
MI-V1212
 12mm x 12mm
 Hole: Hole - L128mm, 160mm, 192mm,
 320mm, 608mm, 1000mm, Knob
 Matt Gold, Titanium Black,
 Polished Rose Gold,
 Satin Stainless Steel



MI-919
 L: 2500mm



MI-2247
 L: 2500mm



Measurements : Dia = Diameter, L = Length, W = Width, H = Height
Finishes : (BSN) Brushed Satin Nickel, (SC) Satin Chrome, (AB) Antique Brass, (MSN) Matt Satin Nickel, (MN) Matt Nickel



ZN-1013

Hole: Hole - 96mm, 128mm, 160mm, 192mm, 240mm, 320mm
 Brushed Satin Nickel



ST-1119

Dia. 30mm
 Matt Black,
 Brushed Satin Nickel / Satin Gold



AN-6025

Hole: Hole - 96mm, 128mm, 160mm, 192mm, 224mm, 288mm, 416mm
 Brushed Satin Nickel + Aluminium



MI-5191H

Dia. 12mm
 Hole: Hole - 96mm, 128mm, 192mm, 224mm, 352mm, 544mm
 Matt Black / Satin Gold



F5191-10

Dia. 10mm
 Hole: Hole - 96mm, 128mm, 160mm, 192mm, 256mm, 356mm
 Stainless Steel (Solid)



F263

Dia. 15mm
 Brushed Satin Nickel



ST-5710

Hole: Hole - 96mm, 128mm, 160mm, 192mm,
 Aluminium



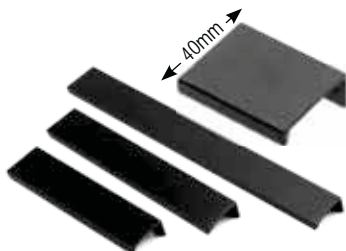
ST-5714

Hole: Hole - 96mm, 128mm, 192mm, 224mm, 320mm
 Aluminium



DB-98

Stainless Steel
 Recess Handle
 Satin Stainless Steel



ST-1667

L= 150mm, 200mm, 300mm, 600mm, 2500mm
 Matt Black, Matt Gold



FH-117

L= 50mm, 116mm, 150mm, 212mm
 Stainless Steel



ST-1114

Dia. a) 23mm, b) 29mm
 Brushed Satin Nickel

Handle Furniture

Measurements : Dia = Diameter, L = Length, W = Width, H = Height
 Finishes : (BSN) Brushed Satin Nickel, (SC) Satin Chrome, (AB) Antique Brass, (MSN) Matt Satin Nickel, (MN) Matt Nickel



F283

Hole: Hole - 32mm x L 71mm



F220

L51mm x W24mm
BSN / coffee



F220

Hole: Hole - 96mm, 128mm
BSN / coffee



F205A

Hole: Hole - 32mm
BSN / coffee



F218

Dia. 18mm x H30mm
BSN / coffee



F 215

Hole: Hole - 96mm
Brown Leather
Brushed Satin Nickel



F 226

L76mm x W30mm
BSN / Brown Leather



PK-04

Push Knobs with or without Latch
Chrome or Gold Plated



MI-V102

Satin Nickel, Black, Satin Gold Knob



(a) Close

(b) Open

HA56196+56123

Stain Nickel
Push Knob



MI-054

SUS 304 Stainless Steel
Trunk Handle



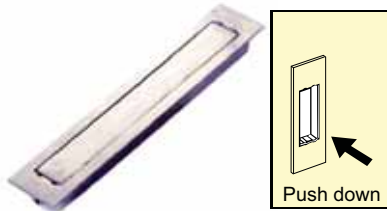
MI-TK 299

Concealed Handle
Material: Zinc Alloy
Finish: Brushed
Satin Nickel, Black

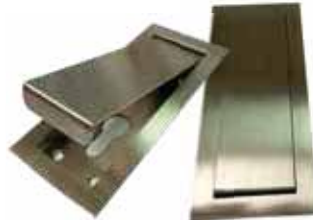
Measurements : Dia = Diameter, L = Length, W = Width, H = Height

Sizes: (S) 64mm, (M) 96mm, (L) 128, (LX) 160mm (For other sizes please contact your sales consultant)

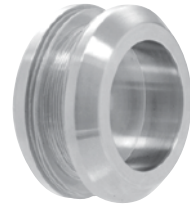
Finishes: (BSN) Brushed Satin Nickel, (SC) Satin Chrome, (AB) Antique Brass, (MSN) Matt Satin Nickel, (MN) Matt Nickel



DH45-84mm (Handle Series)
Stainless Steel Recess Handle



MI-013
SUS 304 Stainless Steel
Flush Handle with Cylinder Hole



MI-958
Bore Hole: Dia. 58mm
SUS 304 Stainless Steel
Recess Sliding Glass Door Handle



ST-80, ST-100
L: 80mm, 100mm x W:18mm
304 Stainless Steel,
Satin Finish
Hatch Pull



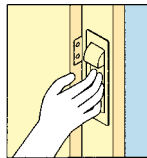
D03-040
SUS 304
Stainless Steel
Hatch Pull
L: 90mm x W: 18mm



D03-025
L: 100mm x W: 20mm
Stainless Steel,
Edge Pull with Spring



- LAMP HH-P135/SN**
- Door stopper can be flipped-out to prevent door from entering pocket and pinching fingers.
 - Door stopper can be flipped-in to completely open the door.
 - Application door thickness: 30-40mm (1-3/16"-1-9/16")



MI-106H, MI-106
SUS 304 Stainless Steel
Recess Handle
Antique Brass, Gold Plated,
Satin Stainless Steel,
Matt Black



Z-710
Satin Nickel
Recess Handle
with Cylinder Hole



DH-8
Stainless Steel
Recess Door Handle
• Satin Finish



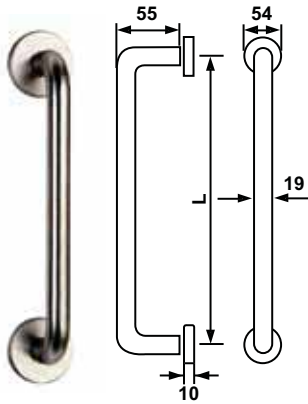
ST-1722
Stainless Steel
Door Pull
Satin Finish



K01-006
Dia. 74mm
Cup Ring Handle
SUS 304 Stainless Steel

Handle Architectural

Measurements : Dia = Diameter, L = Length, W = Width, H = Height
 Finishes : (BSN) Brushed Satin Nickel, (SC) Satin Chrome, (AB) Antique Brass, (MSN) Matt Satin Nickel, (MN) Matt Nickel



G0-165

Stainless steel
 Pull Handle
 Size: 150mm, 200mm, 250mm,
 300mm



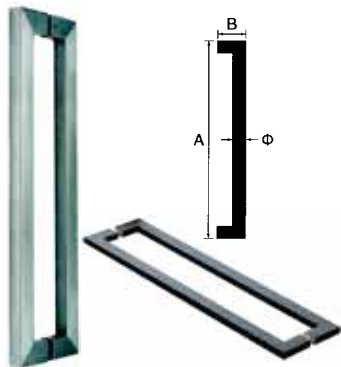
MI-085 SUS 304

Stainless Steel Pull Handle
 With Cylinder Hole



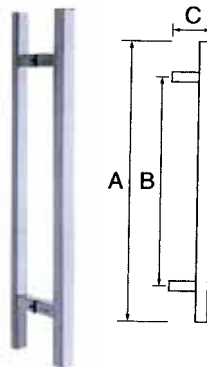
MI-085 SUS 304

Stainless Steel Pull Handle
 With Cylinder Hole



MI-SA-257

Stainless Steel Pull Handle
 $\phi = 38 \times 25\text{mm}$
 A= 600 / 800 / 1200 / 1500 / 1800
 B= 80mm
 Satin Stainless Steel, Matt Black,
 Satin Gold



PH285

Stainless Steel Pull Handle
 30 x 30mm
 A= 600 / 1200mm
 B= 425mm
 C= 80mm



MI-034

$\phi 19 \times 200\text{mm}$
 $\phi 19 \times 300\text{mm}$
 Brushed Satin Nickel
 Pull Handle



MZ-SA-1163

25 x 38 x L600, 900, 1200
 Stainless Steel Offset
 Pull Handle



MI-SA-1118

30 x 10 x L450, 600, 800,
 1000, 1200mm
 Stainless Steel Pull Handle
 SSS, Satin Gold, Matt Black

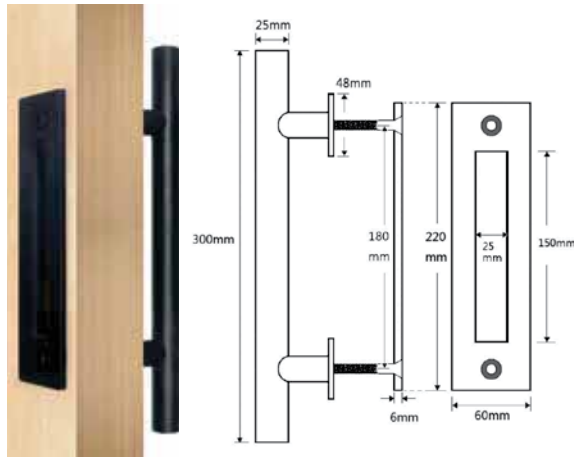


MZ-SA-1528

Dia. 38mm x 1500mm, 1800mm
 Stainless Steel / Walnut wood
 Pull Handle



MI-SA-1261
 Ø 38 x 200 x 400
 Stainless Steel
 Shower Door Pull
 Chrome



MI-DH-066
 Matt Black
 Sliding Door Handle
 with Plate



a) DS-12
 SUS 304 Stainless Steel Push Plate
 Size : 100 x 300 x 1.5mm

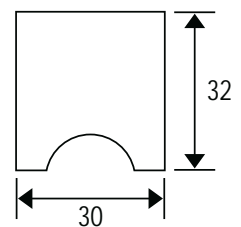
b) DS-12H
 SUS 304 Stainless Steel Push Plate with
 Handle (Dia. 19mm x L140mm)
 size : 100 x 300 x 1.5mm



MI-SA-1663
 25 x 10 x 450 x 475
 Stainless Steel Shower Door Pull
 with Anti-Collision
 Chrome, Matt Black



GK 06



MI-SA-GK06
 SUS 304 Stainless Steel
 Glass Door Knob
 SSS

Slide & Swivels

Pocket Door Systems (INSET) with Soft Closing

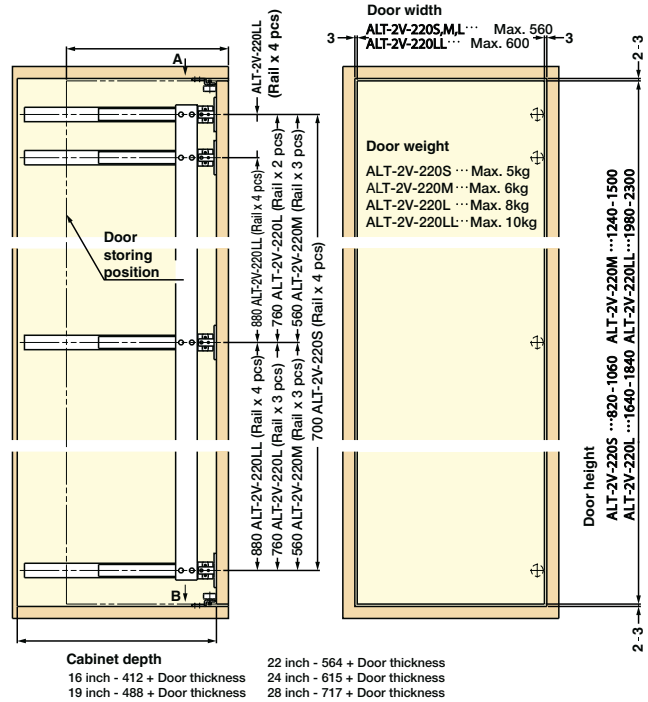
LAMP ALT-2V-D360



| Slide Type | L Type (3 Rails) | LL Type (4 Rails) |
|----------------|---------------------|----------------------|
| Door Width | Max. 560 mm | Max. 600 mm |
| Door Height | 1640 - 1840 mm | 1980 - 2300 mm |
| Door Thickness | 18 - 20 mm | |
| Door Weight | Max. 8 kgs | Max. 10 kg |
| Slide Length | 16", 19", 22", 24" | |

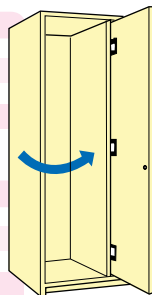
Installation

Door storing
 16 inch - 269 + Door thickness (270 + Door thickness)
 19 inch - 345 + Door thickness (346 + Door thickness)
 24 inch - 472 + Door thickness (473 + Door thickness)
 28 inch - 574 + Door thickness (575 + Door thickness)
 22 inch - 421 + Door thickness (422 + Door thickness)



| | |
|--------------------|-----------------|
| Door Width | Max. 900mm |
| Door Height | 1760mm - 2300mm |
| Door Weight | Max. 20kg |

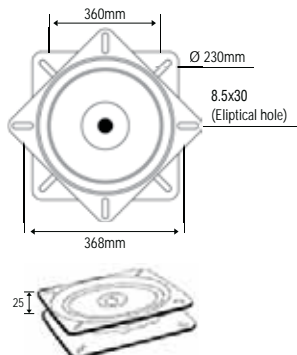
| | |
|-----------------------|--------------|
| TSSL-600SV/Set | Rail (600mm) |
| TSSL-800SV/Set | Rail (800mm) |
| TSSL-900SV/Set | Rail (900mm) |



LAMP TSSL-2V Stainless Steel Pocket Door Hardware



368 x 368 x H25(mm)



Features :

1. Works on cabinet doors up to 2300mm in height and 600mm wide.
2. Works on many sizes of horizontal opening cabinet doors. Designed for inset pocket doors.
3. When open, doors can retract inside the cabinet, allowing full access (besides pocket) to inside of cabinet.
4. Movement is extremely smooth due to slide rails.



ZY-388
8", 12", 14", 16", 18", 24", 30"
Table Swivel



Independent wall mount table

without top and bottom beam
Table size : L1300 x W796(mm)

MI-A31

Color: Black powder coated
 Material: A3 steel plate
 Full ball bearings:
 Ø 9.5 x 75pcs steel ball bearings
 Load weight : 200 kgs

Function:
 360 degree free rotation
 Character: Stable, flexible rotation.
 Hot rolling manufacturing with huge loading capacity & long service life

MI-TK489

Hidden Folding Wall Mounted Table Hardware
 Accessory with lock

Features:

1. The accessory makes table hidden on the wall.
2. Space-saving
 Load Capacity : 100 kgs



closing state



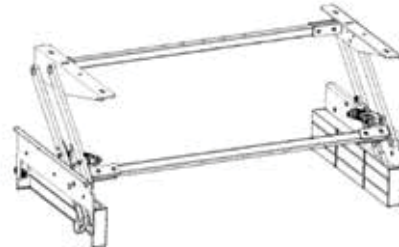
opening state

Accessories for Multifunctional Tea and Coffee Table

MI-TK 461 (with spring)

Material: steel
Surface: black / silver

patent product



Features :

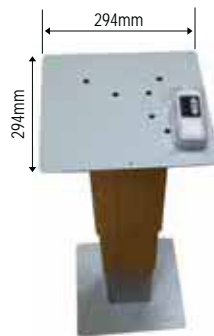
1. The product can be used as a tea and coffee table in closing state, and it can serve as a simple desk, dining table in opening state. It is of space saving and convenience.
2. It can be used as a hidden desk, especially suitable for bay window because it can be overlay with bay window in closing state, but it can be used as a table in opening state. It is of practical and convenience.
3. With safety lock. Automatically lock when open it, but unlock manual
4. MI-TK 461 was designed to high demand customers. The device with soft close, and it can slow rise and slow decline within desktop load-bearing 13-14kg.
Note: It can slow rise and slow decline within desktop load-bearing 18-20kg after improving.



Tatami Lifting Table Fittings

MI-TK-501

Third Generation Tatami Lift Table hardware Electric Lifting



Features :

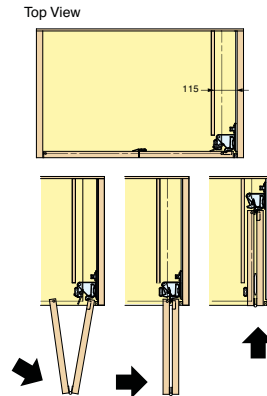
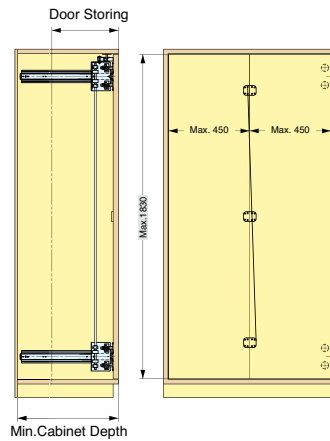
1. The device is of automatic power-cut-off function (120s+3s) and it needs custom-made
2. The device is or temperature control protection, which cuts off power automatically when temperature is over 65°C.
3. Electric machinery is in-operator when it works over 20 times. And it will operate again after the electric machinery cooling down.
4. Anti-pinch function: the device stop descending when it is stuck with a hard object.
5. The device has wireless remote control function.

| Item Number | H1 (mm) | H2 (mm) | Load Rating (Kg) | Material |
|-------------|---------|---------|------------------|-----------------------------|
| MI-TK 501-1 | 310 | 670 | 60 | Steel / Aluminium / Plastic |
| MI-TK 501-2 | 360 | 840 | 60 | Steel / Aluminium / Plastic |

FOLDING POCKET DOOR SYSTEM



- Folding door is stored inside the cabinet.
- Support cabinet with less depth.
- Inset use.
- Applications: Ideal for audio visual, office, kitchen, wardrobe etc.



LAMP ALT-F

| | |
|----------------|-----------------|
| Door Width | Max. 450mm/Door |
| Door Height | Max. 1830mm |
| Door Thickness | 23-30mm |
| Door Weight | Max. 12kg/Door |

| Item Code | Item No. | Pocket Space | Door Storing | Min. Cabinet Depth |
|-------------|-----------|--------------|--------------|------------------------|
| 180-022-294 | ALT-F-18L | Left | 355.6mm | 466.7 + Door Thickness |
| 180-022-295 | ALT-F-18R | Right | 355.6mm | 466.7 + Door Thickness |
| 180-022-296 | ALT-F-20L | Left | 406.4mm | 517.5 + Door Thickness |
| 180-022-297 | ALT-F-20R | Right | 406.4mm | 517.5 + Door Thickness |



MI-8103
Drawer Slide, Euro type,
self-closing, bottom mounting.
250mm - 600mm
Ivory



LAMP AR3-16
100mm, 150mm
Aluminium Full Extension
Mini Slide



FGV 54514503 X00
H45 Ball Bearing
Full Ext. Slide with Damper
Size: 250mm - 600mm
Colour: Black
Load Capacity: 45 kgs



S4501
SUS 304
Stainless Steel Ball Bearing Slide
Size: 14" - 20"
Load Capacity: 45 kgs
(*Available with soft closing
upon request)

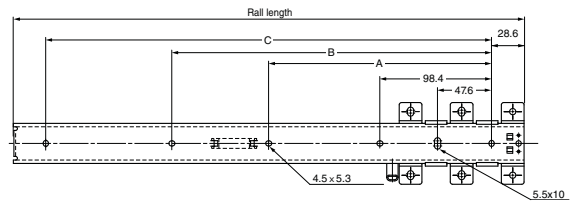
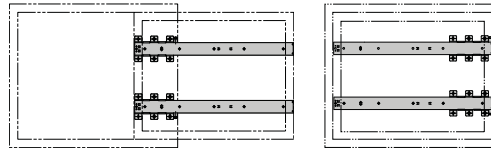


Schock ZH-13
Full Extension:
• Load capacity 50kgs
• Easy drawer removal without tools
300mm - 500mm
• With retaining pins
• 100 - 200kg upon request

C203V Under mount slide Rail



| RoHS | CAD | Code | Name | Rail | Travel | A | B | C | Load Capacity N / pair | Load Capacity Kgf / pair |
|------|-----|-------------|-----------|------|--------|-------|-------|-------|------------------------|--------------------------|
| CE | 3D | 190-036-244 | C203V-30L | 300 | 178 | — | 181.7 | 242.8 | 98 | 10 |
| CE | 3D | 190-036-245 | C203V-30R | | | | | | | |
| CE | 3D | 190-036-246 | C203V-35L | 350 | 228 | — | 201.7 | 192.8 | | |
| CE | 3D | 190-036-247 | C203V-35R | | | | | | | |
| CE | 3D | 190-036-248 | C203V-40L | 400 | 278 | 171.4 | 231.7 | 342.8 | | |
| CE | 3D | 190-036-248 | C203V-40R | | | | | | | |
| CE | 3D | 190-036-250 | C203V-45L | 450 | 328 | 196.4 | 281.7 | 392.8 | | |
| CE | 3D | 190-036-251 | C203V-45R | | | | | | | |
| CE | 3D | 190-036-252 | C203V-50L | 500 | 378 | 221.4 | 331.7 | 442.8 | | |
| CE | 3D | 190-036-253 | C203V-50R | | | | | | | |
| CE | 3D | 190-036-254 | C203V-55R | 550 | 420 | 246.4 | 381.7 | 492.8 | | |
| CE | 3D | 190-036-255 | C203V-30R | | | | | | | |
| CE | 3D | 190-036-256 | C203V-50L | | | | | | | |
| CE | 3D | 190-036-257 | C203V-50R | | | | | | | |



3514AC



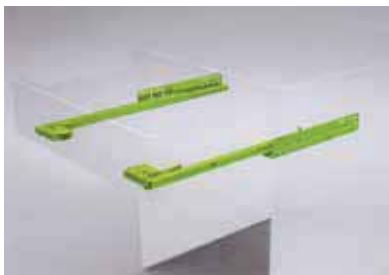
Specification

- Length: 14" - 22"
- Travel: Full Extension
- Maximum Drawer Side Thickness: 16mm
- Load Capacity: 30 kg



Push Open With Soft-closing Under Mount Slide

- Application : Office furniture, home drawers or metal furniture.
 Material : Work hardened cold rolled steel.
 Slide Length : 12"-24" . One grade for every 50mm.
 Load Rating : 45kg/450mm (18")
 Finish : Zinc Plated



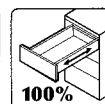
FGV 54565007



Under Mount Full Ext. Slide with Damper Benefits for the consumer

- Smooth functioning thanks to new generation of wheel design
- Comfortable full extension for improved accessibility and ease of use
- Lasting quality thanks to optimised materials
- Hidden assembly for high quality perception of the whole cabinet

- Adaptive SlowMotion[®] damping for noiseless closing
- Easy-Fix rapid for ease of assembly and integrated anti-lift feature
- Quick and easy front height adjustment without disassembly of the drawer



Slide & Swivels

NEW DARWIN 9500-2 700 SINGLE

Made in Italy



Pivot Sliding Door System-Single Door

| | | | |
|----------------------------|--------------------------|--|--|
| | | <p>max. 30kg</p> <p> Per Panel</p> | <p></p> <p>min. 200 mm max. 700 mm</p> |
| <p></p> <p>min. 700 mm</p> | <p>3D</p> <p></p> | <p></p> <p>min. 2200 mm max. 2700 mm</p> | <p></p> <p>min. 18 mm max. 30 mm</p> |



NEW DARWIN 9500-2 805 DOUBLE

Made in Italy



Pivot Pocket Door System-Double Door

| | | | |
|----------------------------|--------------------------|--|--|
| | | <p>max. 30kg</p> <p> Per Panel</p> | <p></p> <p>min. 200 mm max. 600 mm</p> |
| <p></p> <p>min. 805 mm</p> | <p>3D</p> <p></p> | <p></p> <p>min. 2200 mm max. 2700 mm</p> | <p></p> <p>min. 18 mm max. 30 mm</p> |

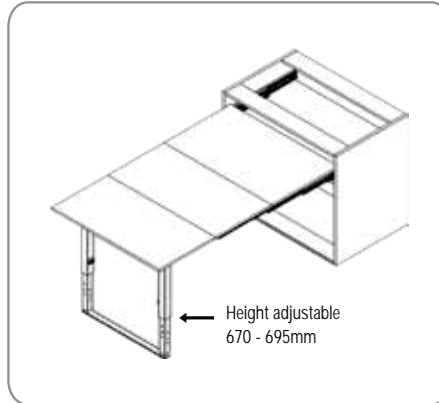




MI-440

Pull Out Table Extension
with Adjustable Leg

Extendable Dining Table



Main Features

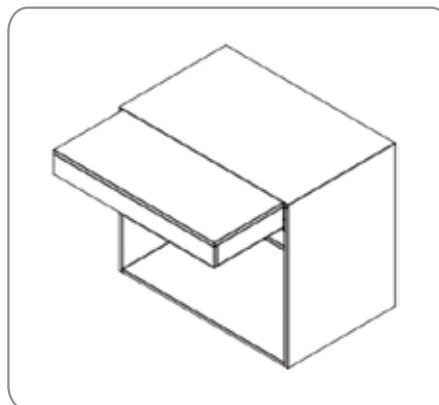
- Extending up to 1500mm long, enough for meal with family and friends of 4-6 people.
- All aluminium alloy metal material, shining finishes.
- Used in various scenarios, such as desk, dining table, etc.
- Hidden slide, single extension, soft closing, and mute.
- Easy to install and uninstall.
- Load weight: 70kgs.
- Patented products.
- Extended length: 1105mm.
- Cabinet width: 600 - 1200mm.
- Cabinet height: 170mm.
- Cabinet depth: Min. 550mm.



MI-390

Pull Out Rising Table Extension

Extendable Table with Rising Hidden Slide



Main Features

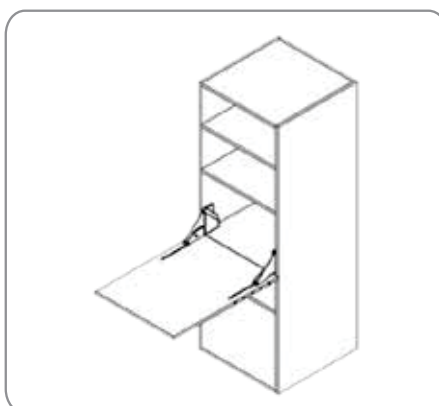
- All aluminium alloy metal material, shining finishes.
- Used in various scenarios, such as desk, dining table, etc.
- Hidden slide, single extension, soft closing, and mute.
- Easy to install and uninstall.
- Minimum inner depth: 390mm.
- Load weight: 30kgs.
- Extended length: 370mm.
- Cabinet width: 600 - 1200mm.
- Cabinet height: 178mm.
- Cabinet depth: 460mm.



MI-500

Pull Down Table Hinge

Foldable Table Hinge Stay



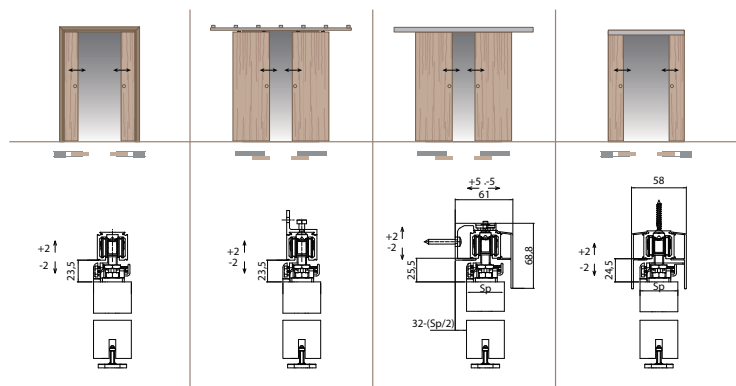
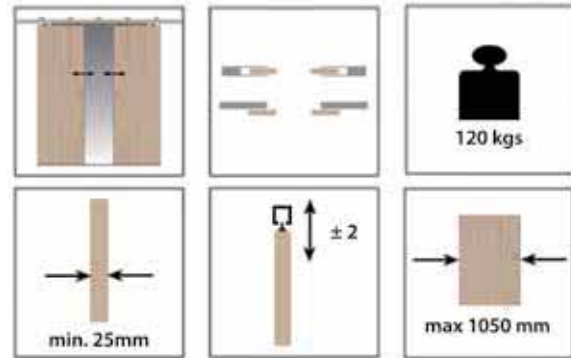
Main Features

- All aluminium alloy metal material, shining finishes.
- Used in various scenarios, such as desk, dining table, etc.
- Hidden slide, single extension, soft closing, and mute.
- Easy to install and uninstall.
- Minimum inner depth: 120mm.
- Load weight: 30kgs.
- Extended length: 400 - 725mm.
- Cabinet width: 600 - 1200mm.
- Cabinet height: 500mm.

Sliding & Folding Door Systems

System 0550.120 Simultaneous Sliding Door Gear with 3 meters Track

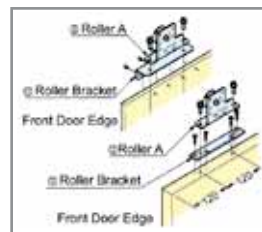
Made in Italy



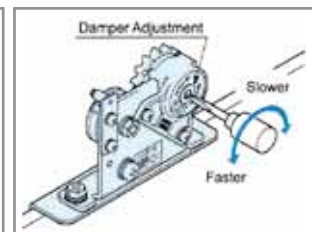
LAMP LM-80 Self Closing Sliding Door System (Wooden Door)



| | |
|----------------|--|
| Item No. | LM-80 (For Wood) / LM-80G (For Glass) |
| Door Width | 700-1,200mm |
| Door Thickness | Wood : 28-40mm / Glass : 8-12mm |
| Door Weight | 30-80kg / Door |
| Door Travel | Max. 1100mm (in case of door width 1200mm) |



Roller Brackets for solid phenolic panel and wood door included.



Closing speed adjustable by turning adjustment screw on damper.

- Self closing sliding door system.
- No electricity required.
- Equipped with damper for smooth and soft closing, eliminates slamming.
- Damping speed adjustable for best soft closing.
- Wall surface mount type for easy installation.

- No bottom rail needed for clean appearance.
- Door opens lightly for easy operation.
- Door catch included to hold door in fully open position.
- Designed for 13mm solid phenolic panel or 28-40mm thick wood doors.
- Non-handed.
- Available for frameless glass door / wooden door.

Sliding & Folding Door Systems

LAMP MFS/W Multiple Motion Door System For Wooden Door

Multimo Flat™



| | |
|----------------|--|
| Door Height | 300 - 900mm |
| Door Width | 297mm, 447mm, 597mm, 897mm |
| Door Thickness | 15 - 23mm |
| Door Weight | 2 - 8kg (Including parts to be attached) |

- **Flush Door Surface**
Door close tight against each other provides sleek appearance compared to ordinary off-set sliding doors
- **Interchangeable Door Position**
Open desired doors and close at any unoccupied position
- **Unlimited Design Flexible**
Cabinet and doors can be added as many numbers as you needed
- **Soft & Smooth Movement**
Equipped with damper for soft closing movement
- **Minimal Hardware space**
Ideal for shallow cabinets or to panel system use, hardware requires only 100mm of depth

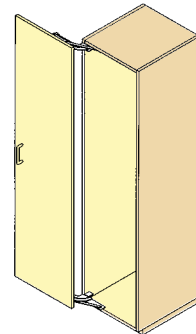
Lateral Opening System

LAMP FAD-20



| | |
|-----------------------|---------------------------------|
| Inside Cabinet Height | Max. 2420mm (95-9/32) |
| Inside Cabinet Width | 500-550mm (19-11/16"~21-21/32") |
| Door Weight | Max. 20kg (44lbs) |

- Lateral opening system for medium sized cabinets.
- Door swings out laterally in a small radius compared to ordinary swing doors, ideal for tight space application.
- Enables various opening styles and combinations.
- For overlay use.
- Built-in gas spring provides a smooth self opening and closing movement.
- No bottom rail required.
- Height adjustable by cutting Arm Connecting Pipe.
- Applications: Storage cabinets in kitchen, closet room, laundry room etc.



LAMP SKD SERIES ROLLING DOOR



Recommended Door Dimension:

| | |
|----------------|-------------------|
| Door Thickness | 28.4 - 36mm |
| Door Width | 790mm |
| Door Weight | Max 30kg per leaf |

- * Suitable for small size store room or toilet etc.
- * Designed for wheel-chaired person & space utilized effectively

Features:

- Permits the room and surrounding space to be used effectively
- Opening and closing of the Rolling Door is less than one-third of the space required.
- The moving range of the Rolling Door is narrow and you don't have to stop back to open the door.
- A wheel-chaired person can go into and out of the room easily.

Sliding & Folding Door Systems

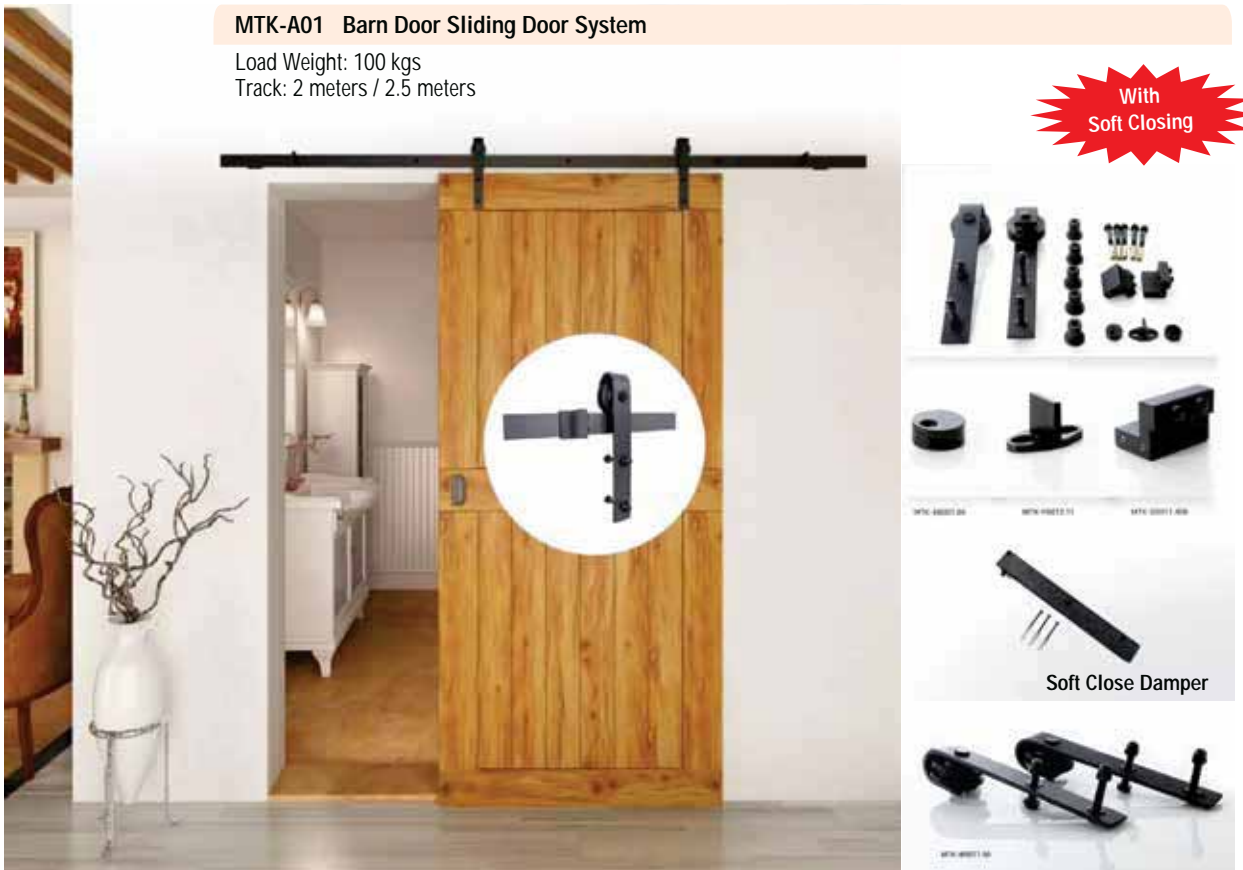
MTK-S01 SUS 304 Stainless Steel Glass Sliding Door System

Load Weight : 120 kgs
Track : 2 meters



MTK-A01 Barn Door Sliding Door System

Load Weight: 100 kgs
Track: 2 meters / 2.5 meters



Sliding & Folding Door Systems

Flush Sliding Door System MFU1200 Two-Way Damper

MonoFlat UNISON™



Opening



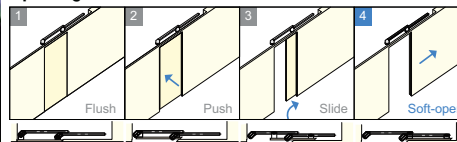
Flush Closing

| | MFU1200-40 | MFU1200-70 |
|------------|----------------|------------|
| Width | 800 - 1200mm | |
| Height | Max. 2700mm | |
| Thickness | 30 - 40mm | |
| Weight | 20 - 40 kg | 40 - 70 kg |
| Adjustment | Depth : ± 4mm | |
| | Height : ± 4mm | |

Flush door system with two-way damper, for doors up to 70kg.

- Doors will be flush with walls when closed.
- Door can be pushed open and no handle is necessary on the door front.
- The two-way damper allows doors to be both opened and closed softly.
- Limited number of parts for easy installation.
- Improved adjustments for a perfect result.
- No bottom rail or floor groove is necessary.

Opening Motion



No handle is needed on the door front for opening.

Application

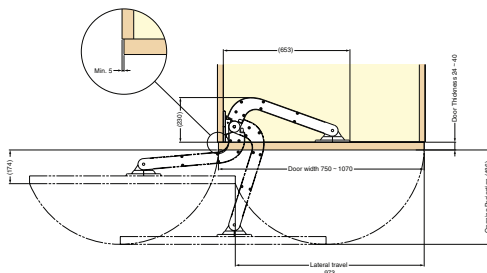
- Walk-in closets, hidden rooms, shop storage space.

Remarks

- The bottom bracket protrude from the door bottom. Make sure to leave enough clearance when opening the door.

LAMP LIN-X1000

Monoflat Lin-X Hinge (Heavy Duty)



| | |
|----------------|-------------------|
| Door Width | 750 - 1100 mm |
| Door Height | Max. 2980 mm |
| Door Thickness | 24 - 40 mm |
| Door Weight | Max. 90 kg / Door |

Features

- Unique Design & Easy Installation.
- Lateral Swing Mechanism
Allows doors to swing out laterally in a small radius, ideal for tight front space application.
- Full Access to Cabinet
Door will not get in the way when fully opened providing full access to the cabinet.
- Smooth Movement
Handle can be installed in any position of door.
- Free Stop & Soft-close
Door can be stopped in any position and closes softly.
- 4-Way Adjustable
Adjustment in vertical (± 7 mm), horizontal (± 7 mm), depth (± 5 mm) and parallel ($\pm 3^\circ$).

Parts Included

- Truss head tapping screw 6x25 (16 pieces)

Applicable Door Load Capacity

| Open/Close cycles | Door sagging | 3mm | 5mm |
|-------------------|--------------|--------|------|
| | | 60,000 | 70kg |
| 80,000 | 50kg | 80kg | |
| 100,000 | 40kg | 70kg | |

Sliding & Folding Door Systems

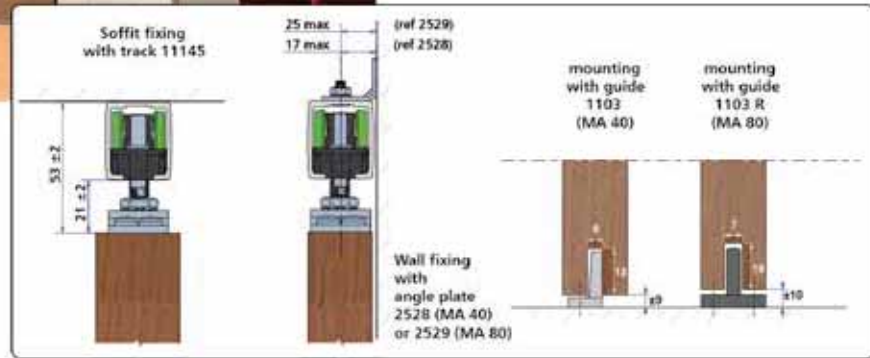
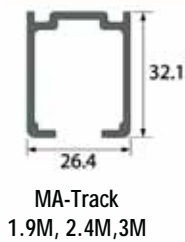
Mantion MA 40 Straight Sliding System For doors up to 40kgs

Made in France

Mantion MA 80 Straight Sliding System For doors up to 80kgs



(Optional) M66
Soft Close Damper

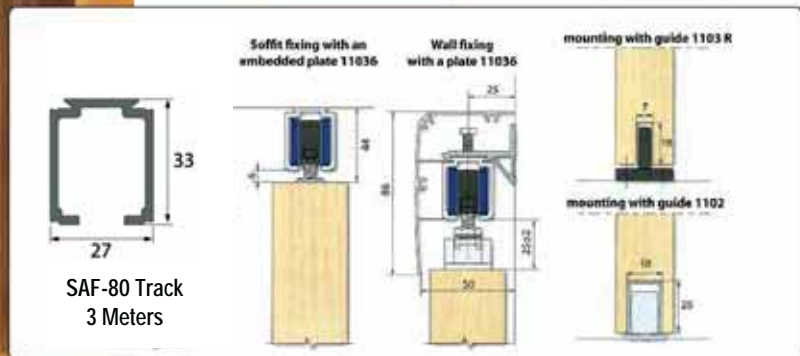


Mantion SAF 120 Straight Sliding System For doors up to 120kg

Made in France



(Optional) M68
Soft Close Damper



Sliding & Folding Door Systems

Mantion HERCULE STARAL-For Doors UP TO 200kgs

Made in France



1



2



3



4



5



6



7

| Item Nr | Fig. | Description | ☐ |
|---------|------|---|---|
| 10400 | 1 | Aluminium track 51.5 x 47.5 x 5000mm | |
| 9242 N | 2 | Hanger with swanneck, 4 wheels mounted on ball bearings with Nylon binding - axle : Ø M16 | 2 |
| 66 | 3 | Screwing plate, top-fixing Ø M16 | |
| 9148 | 4 | Ornamental stop | 4 |
| 10043 | 5 | Sliding angle plate for the wall-fixing of the track 10500 | |
| 1110 | 6 | Bottom U-Channel 30 x 30 x 6000mm | |
| 1101 | 7 | Bottom Guide | |

Mantion HERCULE Straight Sliding Doors System - UP TO 400kgs

Made in France



60 x 65mm
Galvanised Steel
Track (6000mm)

9050



Nylon Roller
Hanger
(400kg)

9252N



Stopper

9159



Wall Bracket

9058V



Fixing Plate

0086



Bottom
U-Channel (30 x 30mm)
(6000mm)

1110



Bottom Guide

1101

* SUS 304 / SUS 316 Stainless Steel tracks & accessories available upon request

Mantion HERCULE Straight Sliding Doors System - UP TO 600kgs

Made in France



75 x 80mm
Galvanised Steel
Track (6000mm)

9060



Nylon Roller
Hanger
(600kgs)

9262N



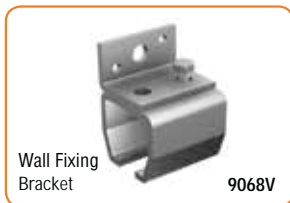
Fixing Plate

0086



Stopper

9159



Wall Fixing
Bracket

9068V



Ceiling Fixing
Bracket

9068H



Bottom
U-Channel (50 x 60 mm)
(6000mm)

1115



Bottom Guide

1059

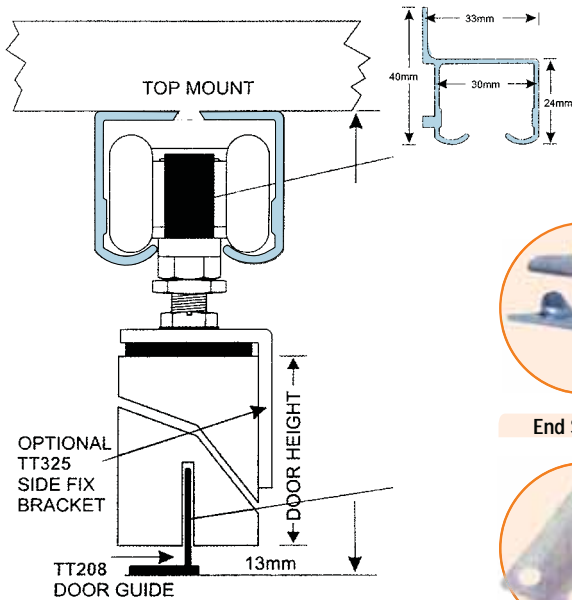
Sliding & Folding Door Systems



TRIUMPH



SLIDING DOOR TRACK SYSTEM



Features:

- Maximum load 68-80kg (with TT-335 Roller)
- Wrap around track wheel cannot jump off track
- Quiet and smooth running
- Nylon door guide-slimline & unobtrusive
- Anti-bounce and stop
- Clip on pelmet available



End Stop



50kgs

MI-788 Roller



70kgs

TT-331 Roller



Bottom Guide



Wall Bracket



80kgs

TT-335
Stainless Steel Roller
Corrosion Resistant



SLIDING DOOR TRACK SYSTEM



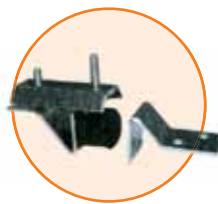
HEAVY DUTY Triumph

Features:

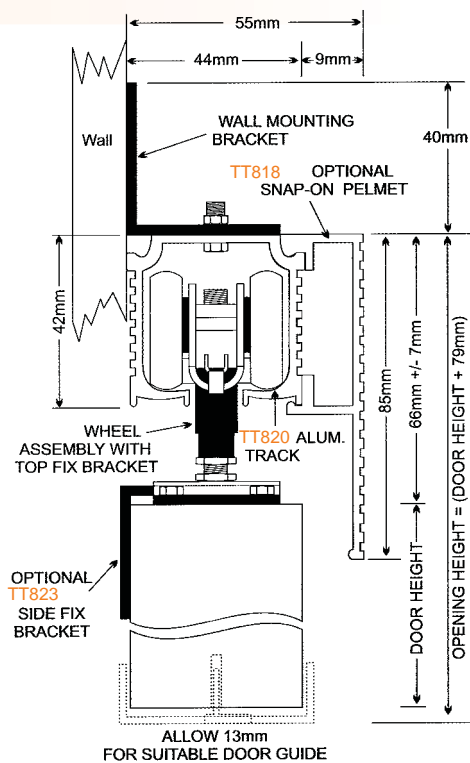
- Maximum load 175kg per door
- Aluminium wrap-around track-wheels cannot jump off track
- Nylon tyred wheels with lubricated steel ball bearings-sealed for maintenance-free operation
- Independant wheel saddle and suspension for optimum performance
- High strength adjusting pivot with lock nuts
- Hardened Steel pivot body
- Anti-bounce track fixed door stops
- Snap-on Pelmet-aluminium extrusion-mill finish or clear anodised upon request.



TT-831



P-826



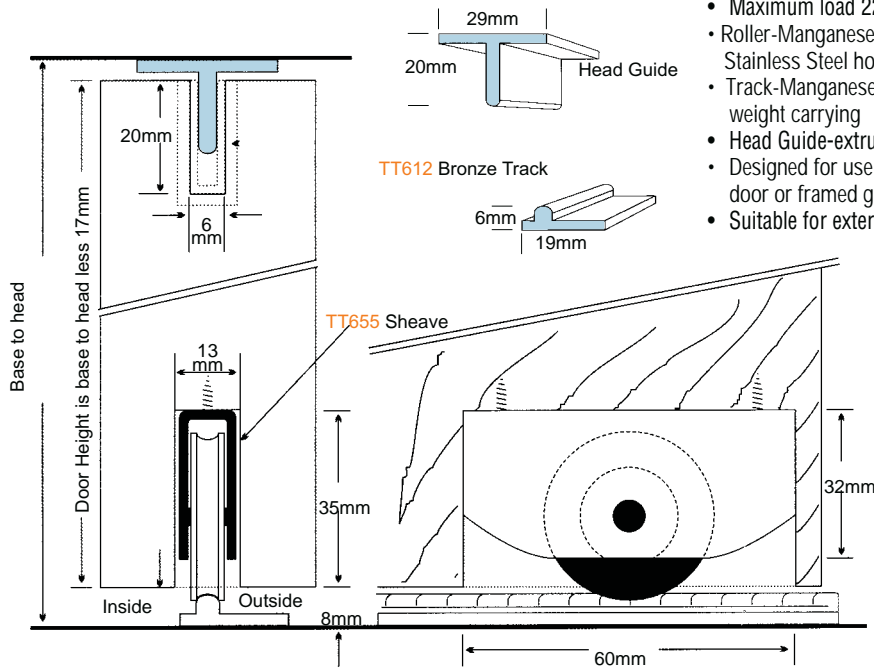
Sliding & Folding Door Systems



MAXI ROLLER



HEAVY DUTY SLIDING DOOR TRACK SYSTEM



Features:

- Maximum load 227kg per door
- Roller-Manganese Bronze tyre and Stainless Steel housing
- Track-Manganese Bronze for greater weight carrying
- Head Guide-extruded aluminium
- Designed for use with heavy timber door or framed glass door
- Suitable for external use



TT-655



SLIDING PATIO DOOR TRACK SYSTEM



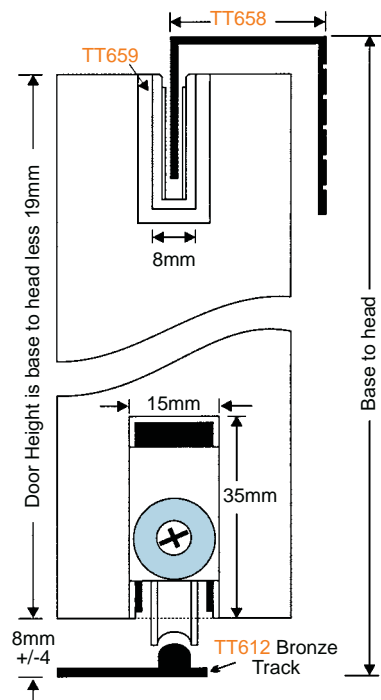
TIMBERLINE

Features:

- Maximum load 200kg per door
- Heavy duty height adjustable sheave with Manganese Bronze tyre and stainless steel housing
- Suitable For External use
- Especially suited to timber Patio door
- Hard wearing Manganese Bronze Track
- Optional Pelmet Guide and Pelmet Guide Block to aid with weather proofing



TT-657



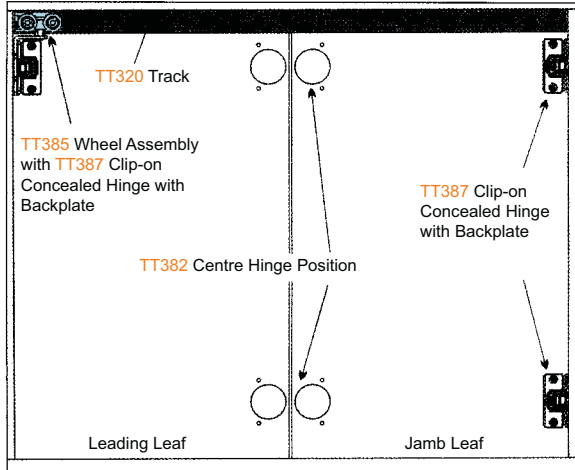
Sliding & Folding Door Systems



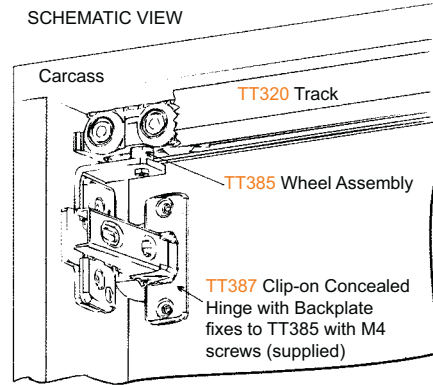
HINGE REQUIREMENTS:
 Up to 1000mm high - 2 Hinges
 1000mm to 1500mm - 3 Hinges
 1500mm to 2000mm high - 4 Hinges
 2000mm to 2100mm high - 5 Hinges



CONCEALED BI-FOLDING DOOR TRACK SYSTEM



SCHEMATIC VIEW



Features:

- Wrap around aluminium track - available in Mill finish and clear Anodised
- Nylon wheel with lubricated steel ball bearings - for smooth guide operation
- Hinge Bracket on Wheel Assembly suits TT-387 Clip-on concealed hinges
- Ideally suited to doors up to 1000mm high but may be adapted to suit doors up to 2100mm high (additional hinges required)
- Specially designed Centre Hinges allow for accurate door alignment
- Maximum recommended leaf width 600mm



TT-385



MI-3810

SLIDING DOUBLE DOOR TRACK SYSTEM



Features:

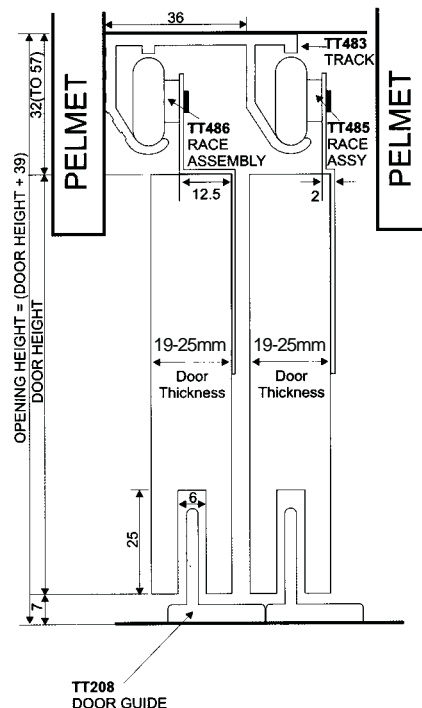
- Maximum load 45kg per door
- Nylon wheels rivetted to bracket with lubricated ball bearings for quiet and smooth running
- Height adjustment slot for accurate door alignment
- Two offset race assemblies suit doors up to 40mm
- Extruded aluminium double "J" Track-ribbed for Visual appeal
- Anti-jump lip built into track
- Zinc plated steel components resist corrosion
- Packaged or sold separately
- Alternative door guide available



TT-486



TT-485

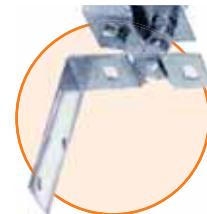
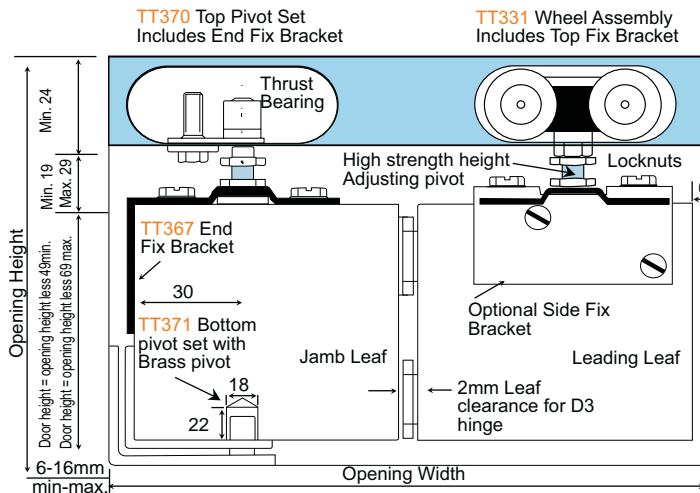




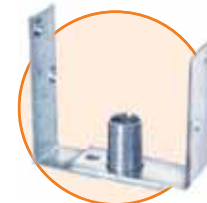
TRIUMPH



FOLDING DOOR TRACK SYSTEM



TT-370



TT-371

Features:

- End pivoting-up to 18 kg per leaf
- Centre pivoting -up to 25kg per leaf
- Wheel assembly has four nylon wheels with lubricated ball bearings-quiet and smooth
- Durable nylon pivot body
- High strength height adjusting pivot
- Optional side fix or end fix brackets
- Wrap around aluminium track- obstruction free use and visual appeal
- Zinc plated brackets which resist corrosion
- Brass pivot for long life and ease of adjustment
- Suits door thickness 22mm and above



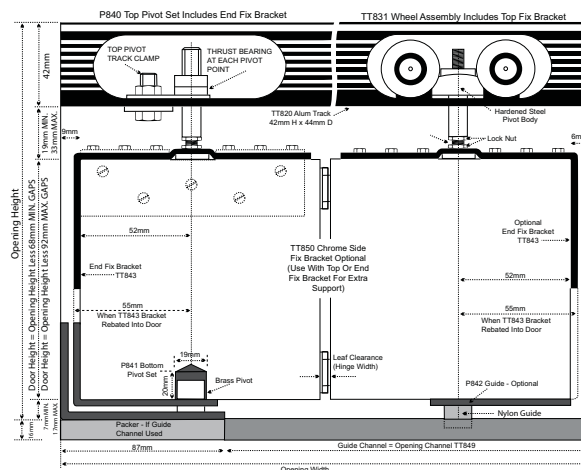
FOLDING DOOR TRACK SYSTEM



HEAVY DUTY Triumph

Features:

- End pivoting-up to 45kg per leaf
- Centre pivoting-up to 60kg per leaf
- Wheel assembly has four nylon wheels with lubricated ball bearings-quiet and smooth
- Hardened steel pivot body for added strength
- Top pivot track clamp-for vertical alignment
- High strength height adjusting pivot with locknuts
- Optional top fix, side or end fix brackets
- Wrap around robbed aluminium track-obstruction free use and visual appeal
- Brass pivot for long life and ease of adjustment
- Optional aluminium guide channel and nylon guide
- Suits door thickness 32mm abd above



P-840



P-841



P-842



TT831



Sliding & Folding Door Systems



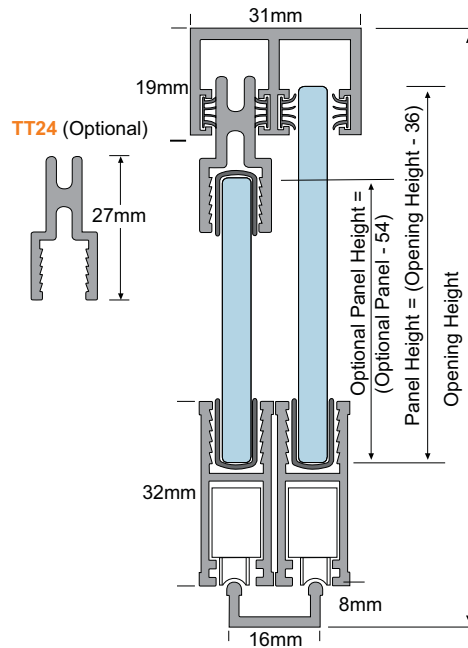
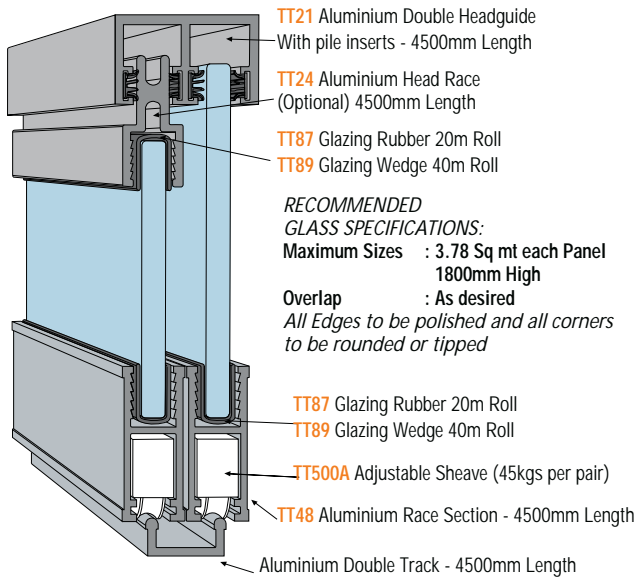
ROLLER BEARING SLIDING DOOR SYSTEM / 45KGS PER GLASS PANEL

Double Track for 6mm Float & 6.38mm Laminate Glass Panels

Stock Finishes: Mill, Clear Anodised, Bronze Anodised, polished Silver and Polished Gold.

Stock extrusion length: 4500mm.

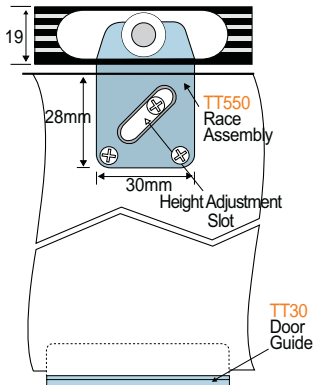
DESIGNED FOR INTERNAL USE ONLY



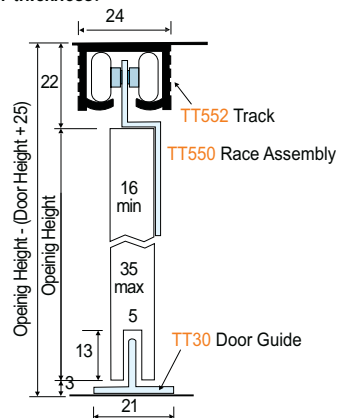
TUDOR SLIDING DOOR TRACK SYSTEM CUPBOARD DOORS - 20KG PER DOOR

Features:

- Nylon wheels with lubricated ball bearings - quiet and smooth
- Dual wheels on pivoting axle - 20kg per door max.
- Height adjustment slot for accurate door alignment
- Offset race assembly for varying door thicknesses
- Ribbed aluminium track for visual appeal
- Zinc plated steel components reduces corrosion
- Extruded aluminium tracks
- Packaged sets or sold separately



For 2 or more doors in bi-passing applications run the tracks parallel to each. The door and / or track gap will be determined by the door thickness.



Opening height = Door height + 25mm.
Opening width = Door width x number of doors, less 30mm for each overlap

| | |
|--------------|--|
| P552 | Packaged Set for 2 doors - 1200 & 1800mm |
| P550 | Components Pack for 1 door |
| S30 | Pack of 2 TT30 Nylon Door Guides |
| TT552 | Aluminium Single Track - 2000mm & 4500mm |

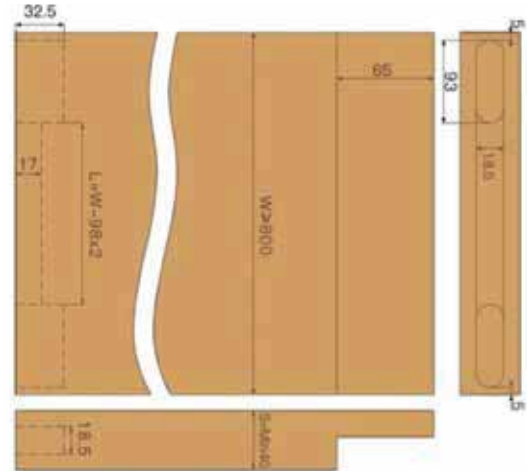
MI-SL0912 Sliding Door System



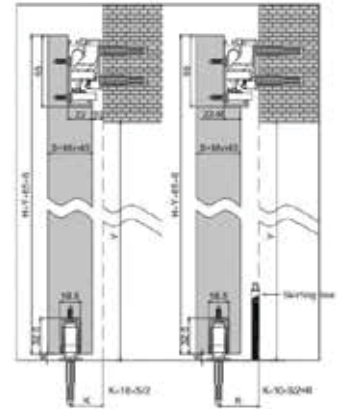
Product Features:

- ▶ Door Width : 800-1200mm
- ▶ Door Height : Max 2500mm
- ▶ Concealed rail Sliding door system
- ▶ Patented product, soft close for 60mm
- ▶ 80KG loading capacity, not easy to deform
- ▶ Anti fall off sliding door system
- ▶ Removable damper positioning
- ▶ 3D adjustment for up and down, distance to wall and door level
- ▶ Elegant design, smooth and silent
- ▶ Easy installation

Invisible Sliding Door (Wooden Door)



Installation



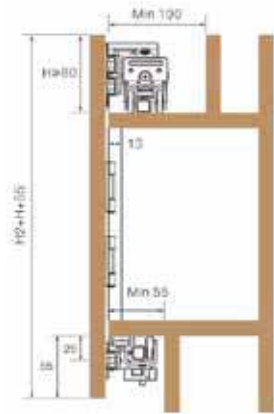
MI-SL0902-4 Slide & Fold Door System

- Load Capacity : 20kgs per panel
- Door Thickness : Min. 16mm
- Up till 4 Panels.

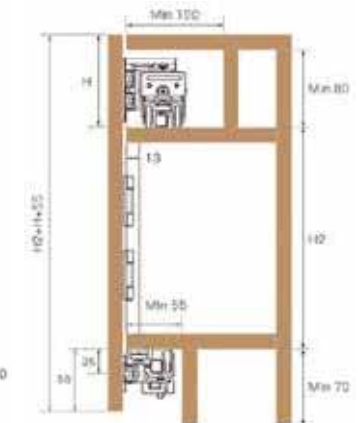
- Damper with Anti jumping and Anti-decoupling function;
- Auto reset function, easy adjustment;
- Imported POM material for wheel.
- to achieve best silent performance and long lifespan;



Without top cabinet



With top cabinet



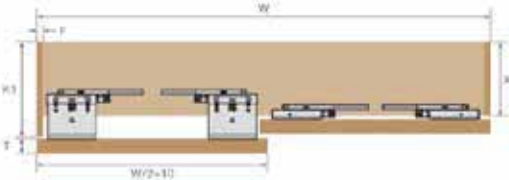
Wardrobe Sliding & Folding Door Systems

MI-689 MOBILE Wardrobe Sliding System for 2 & 3 Doors (with soft close)

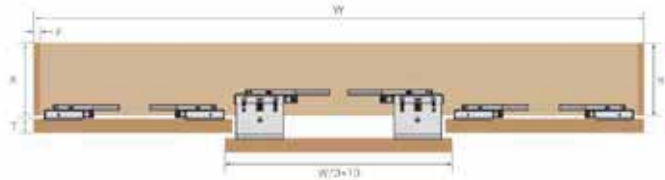
Track Length : 2000mm, 3000mm

Features:

- Easy Installation
- With top & bottom synchronised dampers
- With anti derail functions
- Door Thickness : 16 - 46mm
- Load Capacity : Max. 80kgs / Panel



Double soft close for 2 doors



Full soft close for 3 doors

MI-SL0798 In Line Sliding Door System

Track Length : 1800mm, 2000mm, 2400mm, 3000mm



Features:

- The cabinet door is flushed when closed.
- Two way soft closing.
- The cabinet door up and down, left and right gabs are adjustable.
- Door panel thickness : 18mm - 45mm
- Loading capacity : Max : 60kgs / panel

Train wheel and accessories: steel / engineering plastic.
Track: Alluminium Alloy.

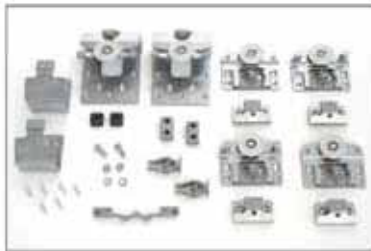


Wardrobe Sliding & Folding Door Systems

MI-SL0509-2/3 Wardrobe Sliding Door System with Soft Closing



2 Door Fittings



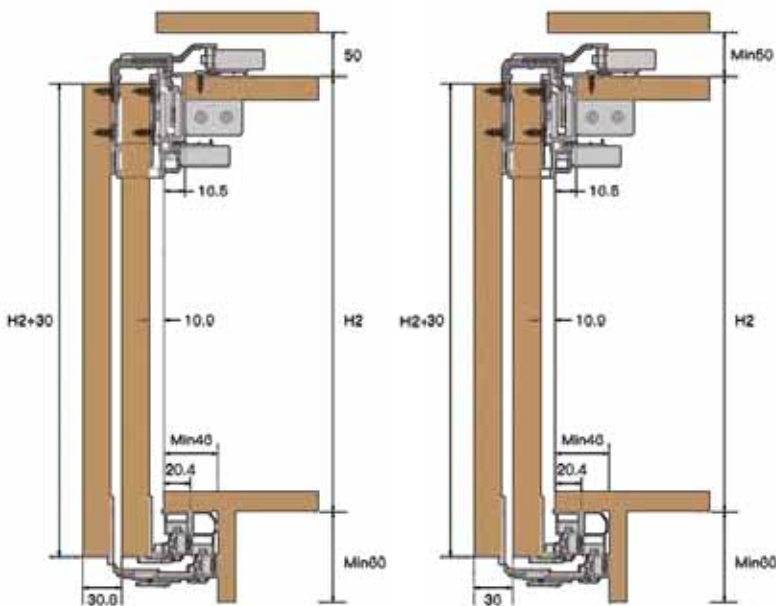
3 Door Fittings



Soft Closing Damper

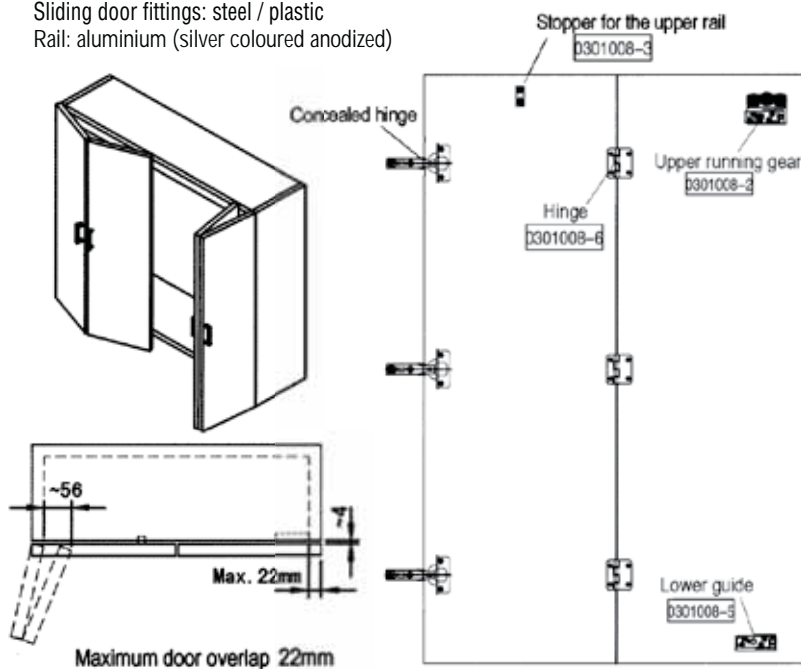
Notes:

- 1. Rail Length : 2000mm, 3000mm
- 2. Door Thickness : 20 - 25mm
- 3. Door Weight : 20 - 50kgs / Panel



MI-0301008 Inner Hanging Fold Sliding Door Fittings

Sliding door fittings: steel / plastic
Rail: aluminium (silver coloured anodized)



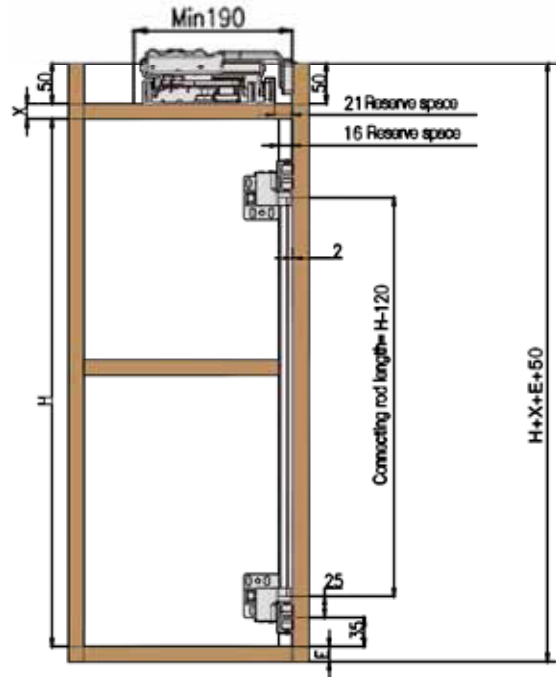
Wardrobe Sliding & Folding Door Systems

MI-SL0802 In Line Flush Sliding System For Lower / Hanging Cabinet



Haging Cabinet Installation

X=Top panel thickness E=Thickness of door panel cover bottom panel



Product Specification

| Cabinet Inner Width | Cuttable Rail Range | Door Width (door panel cover side panel 25mm) | Door Height |
|---------------------|---------------------|--|-------------|
| 1750mm | 1150mm - 750mm | 600mm - 900mm | ≤1000mm |
| 2350mm | 1750mm - 2350mm | 900mm - 1200mm | ≤1500mm |

TANGO 40-150 Manton Partition Doors And Wardrobe Doors

Made in France

Folding system TANGO® up to 40 Kg per Panel

FLEXIBLE:
for partition doors or for wardrobe doors 2 or 4 panels

DESIGN:
No lower track and minimum gaps



Wardrobe Sliding & Folding Door Systems



MI-9512
Stainless Steel Cabinet Roller Set
Track: ZY328



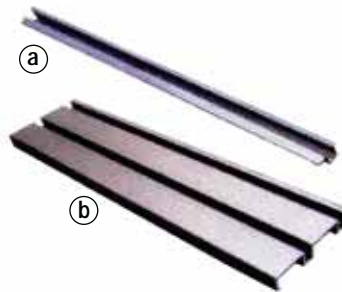
ZY-293
Cabinet Roller Set
Track : ZY328



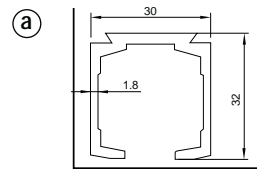
M-688
Adjustable Top & Bottom
Roller Set (40kg)
Track: M680-1/2



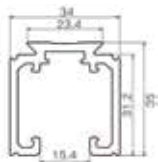
ZY-328
3 meters Track
Top & Bottom Track



a) M-680-1
3.7 meters Single Track
b) M-680-2
3.7 meters Double Track



a) MI-TM1305
Aluminium Track
2 meters, 2.5 meters, 3 meters, 5 meters



MI-SL-0904B
2 Way Soft Closing Sliding Gear
with 2500mm Track
Load Capacity : 100kgs
Door Thickness : 35-50mm
Min. Door Width : 820mm

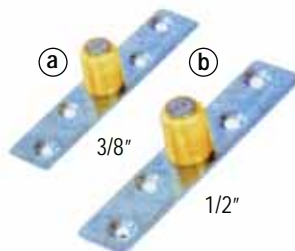
b) M-857
Sliding Door Roller Set
Load Capacity : 130kgs



DF-01
Sliding Door Stabilizer
(For Doors Up till 2500mm)



**BF 05 Soft Closing Damper For
Drawer And Sliding Door**



a) M-289 b) M-287
Brass Roller Guide



M-288
L Roller Guide

Glass Clamps & Accessories



ST-1411
Glass Holder L/M/S
Glass Thickness: 5-15mm
Brushed Satin Nickel



M-001
Glass Grip Support
Glass Thickness: 5-15mm
Brushed Satin Nickel
L30 x W30 x H48(mm)



M-003
Glass Grip Support
Glass Thickness: 5-30mm
Brushed Satin Nickel
H84 x L66 x T28(mm)



K612
Glass Grip Support
Glass Thickness: 5-15mm
Satin Nickel
L25 x W25 x H45(mm)



MI-5012
Glass Holder
Glass Thickness: 6-8mm, 10-12mm
L: 60, 100mm
Brushed Nickel, Aluminium



MI-5024
Glass Holder
Glass Thickness: 8-12mm
Satin Nickel



a) ST-105H b) ST-105P
Glass Holder
Glass Thickness: 6-8mm
(with/without pin)
NP/GP



SS-107
L: 26 x W: 12mm
Glass Stud
Diameter 5mm Pin
Nickel



6090
a) $\varnothing 19 \times 25$ & 38 & 50 & 60 & 75 & 100 & 150 & 200 mm
b) $\varnothing 12 \times 25$ mm
Glass Spacer
Brushed Satin Nickel, Chrome

Made in Italy

Made in Italy



Italiana K LINE Glass Shelf Support
Dia. 5mm Pin
L: 23.5mm x W: 6mm



Italiana Kalabrone Maxi Glass Adjustable Shelf Support
8-30mm Shelf thickness
Load capacity: 25kgs per pc
(50kgs Per Shelf)

* (Shelf can be regulate after installed)



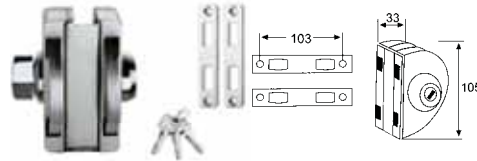
Italiana KUBIC Adjustable Glass Shelf Support
Glass Thickness: 5-9 mm

Floor Spring & Patch Fittings



ST-1691

Stainless Steel, Glass Door Lock (Double Door)
Suitable for toughened glass door with a thickness of 10-12mm

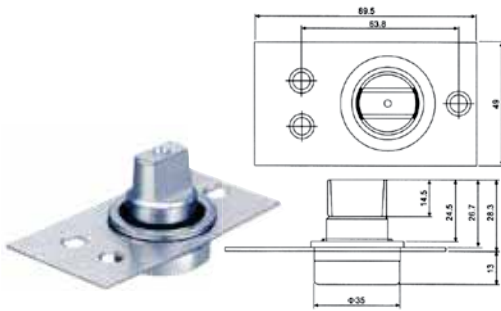


ST-1692

Stainless Steel, Glass Door Lock (Single Door)
Suitable for toughened glass door with a thickness of 10-12mm

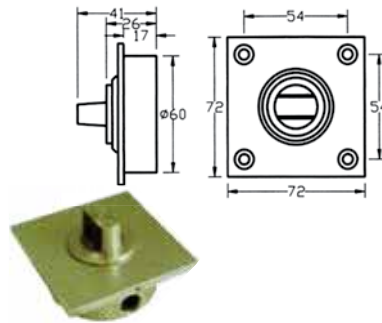


(a)- M-56 (b) A84-2
Top Pivot Spindle Arm



MI-542E

Floor Spindle Pivot
Load Weight: 80 kgs



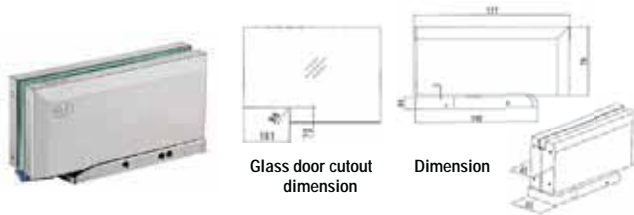
1542-01

Floor Spindle with 90° Hold Open
Dual Open-Close Action
Material: Stainless Steel with Crust
Max. Load: 80 kgs



GEZE TS137B

Floor Mounted Pivot
L75mm x W70mm
Load Capacity: 250 kgs

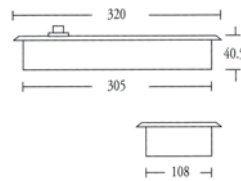


| Suitable door width (mm) | Max. load capacity (kg) | Dimension (cover plate not included) (mm) | Glass Thickness |
|--------------------------|-------------------------|---|-----------------|
| ≤ 1200 | 80 | 173 x 52 x 95 | 10 - 15mm |

MI-D100-1

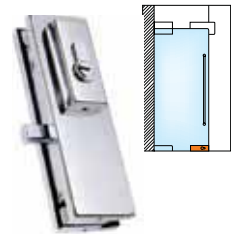
Features

- Bottom patch and floor spring function combined, no need to dig the ground, easy installation and saving labor.
- Unique base design, 5mm backward and forward, 7mm left and right, 5° alignment adjustment.
- Opening angle of 140° double action, 90° hold-open (optional), 2 speeds adjustable.



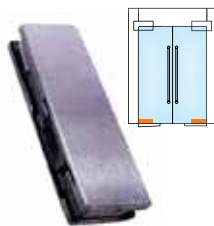
DT-2300

Floor Spring
Stainless Steel Cover
size: 308mm(L) x 130mm(W) x 42mm(H) Door width: max. 1200mm Door weight: 120kg

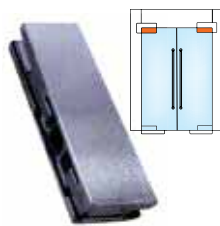


DT-7010

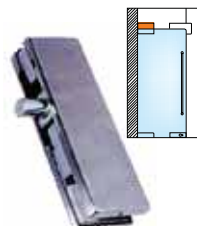
Lock Clamp
Patch Fitting
Stainless Steel



DT-7011
Door Bottom
Patch Fitting
Stainless Steel



DT-7012
Door Top
Patch Fitting
Stainless Steel



DT-7013
Over Panel
Patch Fitting
Stainless Steel



MI-502A
TOP PIVOT
Stainless Steel

Table & Sofa Legs



TL-004
Dia : 60mm
Length: 700mm / 1100mm
Table Leg (Adjustable)
CH, Brushed Satin Nickel, Black



703C
80mm, 100mm, 150mm
Aluminium (Adjustable), Sofa Leg



173.062
Black
Plastic Adjustable Table Leg

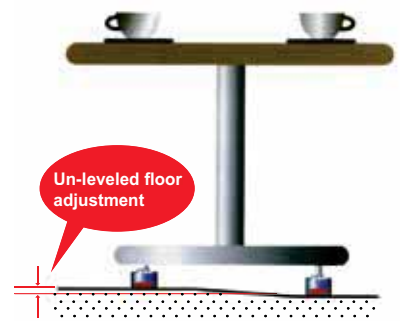


* Indent

LAMP MKRS
SUS 304 Stainless Steel
Leveling Guide (With Rubber Pad)
Dia : 30,40,50,60,70mm



A-888 (Adjustable Leg)
Free space is entirely in
your hands



* Indent

LAMP SAJ-30
Self-Adjusting
Leveling Glide



MK-544-F
Console Table Stand (Slant)
Chrome Plated
Diameter 50mm x H200mm



FF 89189
Dia. 20mm, 25mm
Glide with Felt
Brown / White



FF89131
Dia. 50mm
Length : 100mm, 150mm, 300mm
Stainless Steel Leg

Bracket / Hasps / Latches



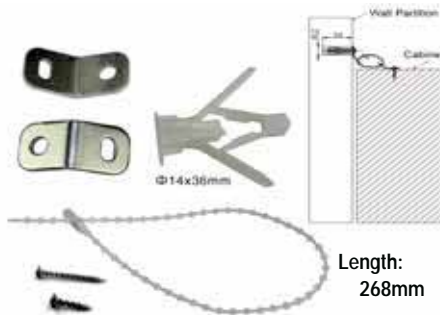
EB-303/EP
SUS 304 Stainless Steel
Folding Bracket
Load Capacity: 150kgs/pair



SB-102
Shelf Bracket
10" & 12" & 14"
White / Stainless Steel



ST-645
Concealed Bracket
6" & 8" & 10"
& 12" & 14"



MI-TK190
• Material: Steel/PA6
• Anti-Fall Fittings for Cabinet



MI-L305
Stainless Steel
L-Latch



MZ-SA 006
Barn Door Sliding Door Latch



MI-300
70mm
Stainless Steel Latch



Stainless Steel Hasp
W-303: 3"
W-304: 4"
W-305: 5"



STA-321
304 Stainless Steel
Sliding Door Latch



MI-404
Hasps with Latch
Chrome



MI-7050
Turn Latch
Satin Nickel



4400P
Stainless Steel (SUS304)
Sliding Door Latch
with Indicator



ST-100
Bracket for Double Leaf Door
Nickel Plated



a) J105 b) J106
a) Box Hasps, Stainless Steel
b) Box Hasps with Hoop,
Stainless Steel

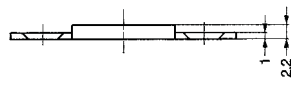


LAMP ML-ZN80
Magnetic Touch Latch
White, Black
(Strong Push Force For Doors
Up Till 125kgs)

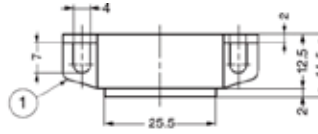
Catches



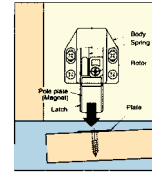
LAMP MC-159
Ultra Thin Magnetic Catch
4kg



LAMP YN-001P
Ultra Thin Magnetic Catch
2.7kg



LAMP MC-0099
Black, White
Universal Magnet Catch



LAMP ML-120
Magnetic Touch Latch
(Long Stroke), White, Black



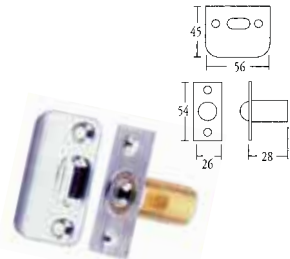
MI-277/MI-278
Magnetic Catch
White / Brown
MI-277= 2.5kg
MI-278=5kg



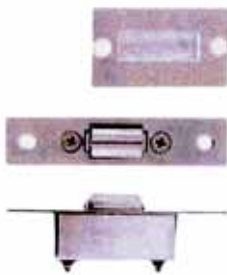
**M-611 (single)
M-612 (double)**
Magnetic Touch Latch
White
Black upon request



BC001 BR
Brass Double Ball Catch
Length: 43mm, 50mm,
60mm, 70mm
Colour: Chrome, Brass



MI-032
Adjustable, Ball Catch



JF-11
Roller Catch



LAMP MC-37
Safe Push Latch
ABS Plastic
Black, White



LAMP MLC-130
White / Black
Long Stroke Touch Latch



Italiana K Push
Long Throw Push Catch
37mm
With Magnet / Rubber Head
(for door weight up till 20kgs)
White, Space Grey

Made in Italy



SRC-009
Adjustable Magnet Catch
(20mm or 40mm)
Grey



ST-6110
White
Adjustable Magnet Catch



K-460
Mini Catch



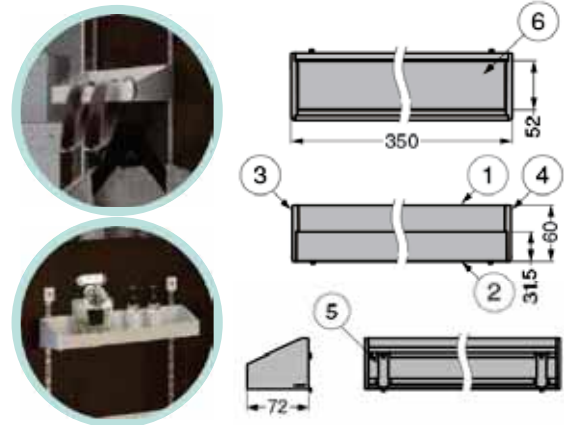
SRC-002
Auto Catch

Shelving Systems

| LOAD CAPACITY (kgf) | Shelf Standard | | | | Shelf Support & Accessories | | | |
|---------------------|---|-----------|------------------|----------------------------------|---|---|---|--|
| | Features | Thickness | Full length | End Cap | | | | |
| 130 | SPH High load capacity, yet compact! | 5mm | 1820mm 2524mm | SPW-EC20 SP-19E | SPH-5 A stopper gives resistance to vibration makes it suitable for glass shelves. | SPH-20 Rubber pad prevents glass shelf from sliding. | SPH-15 Slim and compact design. | |
| 80 | SPE Recommended for surface mount. Only 3mm thickness! | 3mm | 1820mm 2620mm | AP-EC20 | SPE-FB20G Slim body saves more space. With cover, becomes a support for glass shelf. | Other Accessories: Shelf Brackets with Sliding Grooves AP-FB20 Shelf Support from AP-FB20G Shelf AP-FB20C Shelf holder AP-FB20 | | |
| | SPW-1B20 Screw holes and slots are concealed when used with cover. | 5mm | 1820mm | SPW-EC20 SP-19E | SPW-20 Same color as the shelf standard. | | | |
| 45 | AP-DM SURFACE MOUNT Easy to cut to desired length. Recommended for surface mount. Only 3mm thickness! | 3mm | 1820mm 2600mm | AP-C20 | AP-FB20 Designed to maximize the space under the shelf. Recommended for the glass shelf with cap. | Other Accessories: Shelf Brackets with High Adjusting Grooves AP-FB20 Shelf Brackets with Angle Adjusting Grooves AP-FB20G Shelf AP-FB20C Shelf holder AP-FB20 New products: Shelf Brackets AP-FB120 for AP-120 Shelf Brackets AP-FB120 for AP-120 | | |
| | AP-DH RECESSED MOUNT Easy to cut to desired length. Designed for press-fit mount without using screws. | 1mm | 1820mm 2600mm | | | | | |

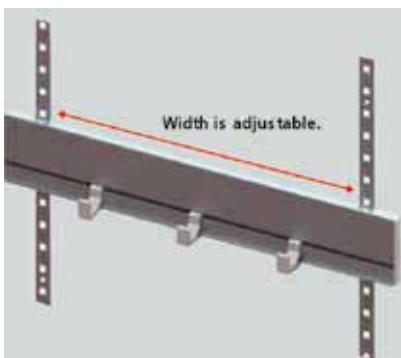
LAMP AP-SB350-SL

Storage Tray For Shelf Standard (AP-DM)

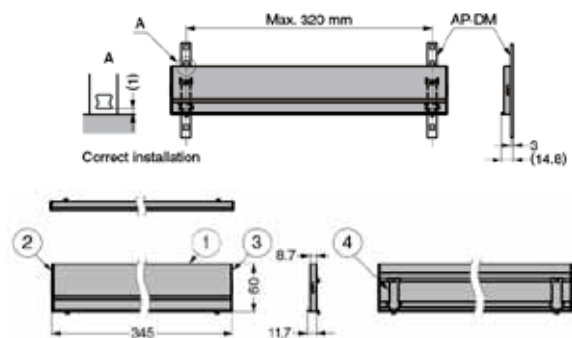


LAMP AP-SP345-SL

Plate For Shelf Standard For AP-PM



■ Cut Out Dimensions

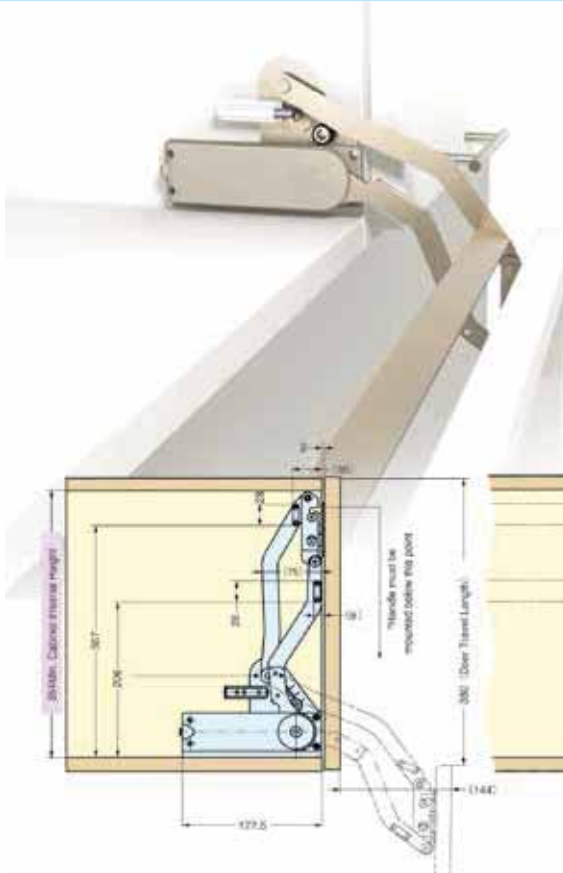


Stays

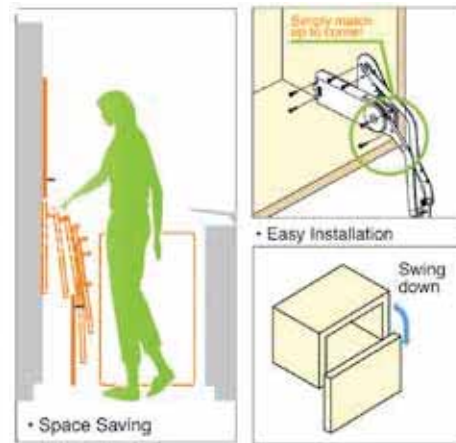
SWING DOWN STAY



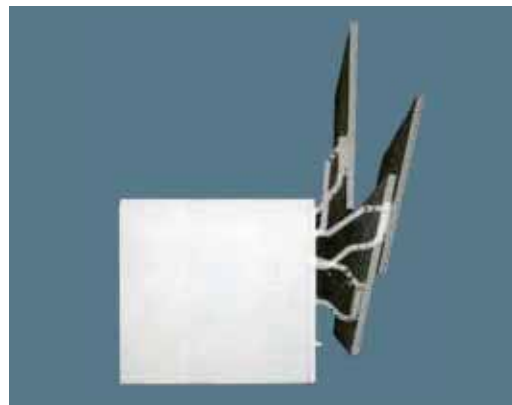
LAMP SLD



- Unique swing down mechanism will hold doors at the open position.
- Sleek & compact design.
- Easy installation.
- Adjustable arm mounting plate.
- Patented LAPCON technology provides a smooth and quiet motion.
- Successfully passed 30,000 open/close private cycle tests.
- Recommended Door Size and Weight:
 - Width : 600 - 900mm
 - Height : 390 - 400mm (For 18mm thickness door)
 - Weight : 3 - 6kg



| Item Code | Item No. | Door Weight / Door |
|-------------|----------|--------------------|
| 180-020-848 | SLD-3 | 3.0 - 4.0kg |
| 180-020-849 | SLD-4 | 4.0 - 5.0kg |
| 180-020-850 | SLD-5 | 5.0 - 6.0kg |



LAMP SLUN PAT SWING LIFT-UP

Material: Plastic, Steel
 Finish: Nickel
 Colour: Grey
 Supplied with screws

- With soft closing function
- SLUN unique mechanism will help lift doors and hold them up.
- Sleek & compact design
- Easy installation
- Adjustable mounting plate
- Patented LAPCON technology offers smooth and quiet motion
- Successfully passed 30,000 open.close private cycle tests.

| Item No. | Cabinet Width (mm) | Door Height (mm) | Door Weight (kg) | Door Travel Length (mm) |
|----------|--------------------|------------------|------------------|-------------------------|
| SLUN-3 | | | 2.5 ~ 3.5 | |
| SLUN-4 | 600 - 900 | 390 - 450 | 3.6 ~ 4.5 | 390 ~ 425 |
| SLUN-5 | | | 4.6 ~ 5.2 | |



LAMP HDSN-30 PAT.P HEAVY-DUTY SOFT-DOWN STAY

Material : Plastic, Steel
 Finish : Light Grey, Nickel
 Colour : Light Grey
 Supplied with 3.5 x 15 screws

- HDSN-30 unique mechanism will save the installation space, and assist the door open and close in a smooth and soft motion.
- Neat, compact design but also heavy-duty use is available.
- One piece used can be available within a certain specification.
- Patented LAPCON technology lets the movement glide smoothly and quietly.

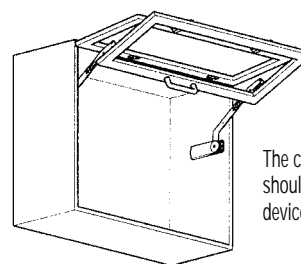
| Item No. | | Door Torque | | |
|-----------|-----------|-------------|-------------------------------|-------------------------------|
| Left | Right | Type | Opening angle 90° | Opening angle 80° |
| HDSN-30KL | HDSN-30KR | K | 13.7-17.5N-m (140-189 kgf.cm) | 13.7-19.5N-m (140-199 kgf.cm) |
| HDSN-30ML | HDSN-30MR | M | 17.6-21.5N-m (190-229 kgf.cm) | 19.6-24.4N-m (140-199 kgf.cm) |
| HDSN-30HL | HDSN-30HR | H | 21.6-24.4N-m (230-269 kgf.cm) | 24.5-29.3N-m (250-299 kgf.cm) |
| HDSN-30SL | HDSN-30SR | S | 25.5-29.4N-m (270-300 kgf.cm) | 29.4-34.3N-m (300-350 kgf.cm) |

LAMP HBFN PAT.P

Material : Plastic, Steel Finish : Nickel
 Colour : Light Grey Supplied with 3.5 x 15 screws

- HBFN unique new bi-fold mechanism will assist the door open and close in smooth motion.
- More compact design requires nothing any tracks or guides.
- Handle can be put at lower position.
- Arm length adjustable for various applications
- Patented LAPCON technology lets the movement glide smoothly and quietly.

| Item No. | Door Width (mm) | Door Height / pc (mm) | Door Thickness (kg) | Door Weight / pc |
|-----------|-----------------|-----------------------|---------------------|------------------|
| HBFN-2S | | | | 2.5 - 3.5 |
| HBFN-3S | | 260 - 320 | | 3.5 - 4.5 |
| HBFN-4S | | | | 4.5 - 5.5 |
| HBFN-2M | | | | 2.5 - 3.5 |
| HBFN-3M | 450 - 900 | 320 - 370 | 17 - 20 | 3.5 - 4.5 |
| HBFN-4M | | | 4.5 - 5.5 | |
| HBFN-2L.1 | | | | 2.5 - 3.5 |
| HBFN-3L.1 | | 370 - 420 | | 3.5 - 4.5 |
| HBFN-4L.1 | | | | 4.5 - 5.5 |



The concealed hinge (overlay use) should be used as a door-hanging device.

Stays



LAMP SDS-C100-TV
SHORT ARM VERSION

- Suitable for low-height cabinet such as AV cabinet
- Minimum height 140mm
- Operational Torque moment - 5.0 - 12.0kgf/cm (0.49-1.18N/M)
- Black and white version available
- For Cabinet with width over 900mm, use of 2 stays recommended



LAMP NSDX- 10 (R/L) PAT.P
DOWNWARD-OPENING FLAP
WITH SOFT OPENING

with Piano , Butt or Drop Hinges.
NSDX-10 is designed to securely latch a flap closed.
Torque: Torque= Door Calculation
Height x 1/2 x Door Weight
Per piece: 1.96 - 6.686N.m (20-70kgf.cm)
Per pair: 3.92 - 13.72N.m (40-140kgf.cm)



LAMP NSDX- 20 (R/L) PAT
TOP OPENING FLAP STAY
WITH SOFT CLOSING

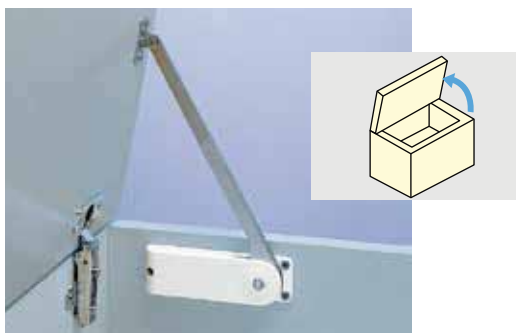
with Piano, Butt or Concealed Hinges.
NSDX-20 is designed to hold a flap in the fully opened position.
Torque: Torque= Door Calculation Height x 1/2 x Door Weight
Per piece: 1.96 - 6.686N.m (20 - 70kgf.cm)
Per pair: 3.92 - 13.72N.m (40 - 140kgf.cm)



LAMP NSDX- 35-2S (R/L) PAT
UPWARD OPENING FLAP STAY
WITH SOFT CLOSING

with Piano , Butt or Concealed Hinges.
NSDX-35-2S/Angle adjustable from 80° to 100°
Torque: Torque= Door Calculation Height x 1/2 x Door Weight
Per piece: 1.96 - 4.9N.m (20 - 50kgf.cm)
Per pair: 3.92 - 9.8N.m (40 - 100kgf.cm)

LAMP HDS-20 HEAVY DUTY SOFT-DOWN STAY



Features

- For top-opening doors.
- Can be used with concealed, piano, or butt hinges.
- Designed to hold the door in fully opened position.
- Used in pairs.

Parts Included

- Mounting plate
- Binding head tapping screw 3.5 X 15

Applicable Range

| Torque | Model | Qty |
|-----------------|-------|--------|
| 13.7 ~ 19.5 N.m | K | 1 pair |
| 19.6 ~ 24.4 N.m | M | 1 pair |
| 24.5 ~ 29.4 N.m | H | 1 pair |
| 39 ~ 41 N.m | XH | 1 pair |

LAMP HDS-10S - Self Close Stay

SPECIFICATION

- For Down-ward opening flaps
- Stays opened in the down position
- Self-closes after a small impulse
- Completely Unique movement
- Save trouble to close the doors by hand
- Torque moment 60 - 180kgf. cm by 4 models
- K type - 60-95f.cm / pair
- M type - 95-130f.cm / pair
- H type - 110-160f.cm / pair
- S type - 140-180f.cm / pair



LAMP OV - OVER -THE-TOP FLIPPER DOOR

- Makes closings smooth and quiet.
- Doors will not slam shut.
- Ideal for office overhead filing storage, Laboratory and kitchen cabinets, etc.
- Adjustable closing speed.



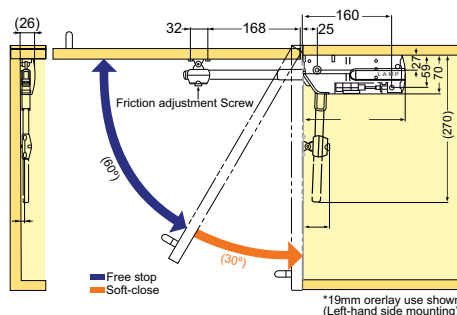
FLIPPER DOOR WEIGHT AND SIZE

Approximate door weight and size should be as follows based on 2 units per door.

- Door weight : 3-5kg. (6-11lbs.) for OV-1 (light duty)
60-100kg.cm (55-85lbs.inch)*
5-8kg. (11-18lbs.) for OV-2 (heavy duty)
100-160kg.cm (85-135lbs.inch)*
- Door thickness (T) : 19mm (3/4") or 20mm (as standard)
- Door width (W) : 700-1,400mm (27-58")
- Door height (H) : 350-450mm (13-18")

Note: *1/2 x H x door weight.

LAMP SLS-ELAN (Medium, Heavy Duty) LIFT ASSIST STAY



Stays

SWING LIFT-UP STAY



LAMP SLU-ELAN



- Lapcon stay for swing lift-up doors.
- Lift-assist mechanism for extra light-opening.
- Door stays in any desired position.
- Damper equipped for soft & silent closing at the end.
- Simple installation by mounting guide plate and slide in main body.
- No hinges are required.
- Connecting bar stays on top for maximum access inside the cabinet.
- Recommended Door Size and Weight :

| | |
|-------------|--------------|
| Door Weight | 5-11kg |
| Door Height | 390-500mm |
| Door Width | Max. 1,500mm |

BI-FOLD LIFT ASSIST STAY



LAMP HBF-ELAN



- Bi-fold door mechanism will assist in opening and closing doors in a smooth motion.
- Easy installation using a paper template and multiple adjustments.
- Recommended Door Size and Weight:

| | |
|-------------|--------------|
| Door Weight | 2.5-6.5kg |
| Door Height | 320-370mm |
| Door Width | Max. 1,200mm |

LIFT ASSIST STAY



LAMP EZS-ELAN



- Lift-assist function for easy and smooth opening
- Soft-closing function for silent and safe closing
- Free stop function from 30°-70°
- Simple installation by aligning body to edge of cabinet (Time saving)
- No hinge, no guide bar required.
- Clip-on mounting plate for speedy door installation
- 3 powers available (L,M,H)
- Optional logo plate available

| | |
|-------------|--------------|
| Door Weight | 5-12.5kg |
| Door Height | 500-750mm |
| Door Width | Max. 1,200mm |

SOFT CLOSING DAMPING GAS SPRING

MI-668



Patent Right No.: 201720831431.1

Advantages

1. Force Adjustable
2. Soft Closing

Material: Steel + Plastic

Finish: Painting

Capacity Range: 100, 150N

Available : Up turning wooden door and aluminum-frame.



| (Door width (mm)) | 450 | 600 | 900 | 1200 |
|-------------------|-------|--------|--------|--------|
| 400 | 50N×2 | 50N×2 | 80N×2 | 100N×2 |
| 500 | 50N×2 | 100N×2 | 100N×2 | 150N×2 |
| 600 | 80N×2 | 100N×2 | 150N×2 | |

Steel MDF Properties: 0.72kg/11CM

| Model | Pimp Diameter (mm) | Rod Diameter (mm) | Length (mm) | Hole Distance (mm) | Stroke (mm) | Standard Pressure |
|--------|--------------------|-------------------|-------------|--------------------|-------------|-------------------|
| MI-868 | ∅15 | ∅6 | 312 | 282 | 92 | 100, 150N |

LIFTUP BOX STAY WITH SOFT CLOSING

MI-320

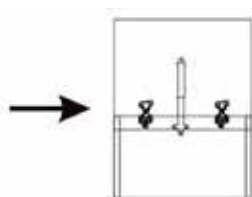


Attention:

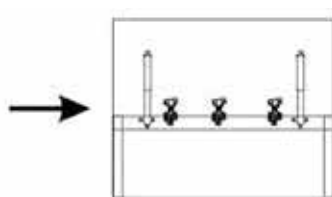
This Product contains high-pressure parts, do not privately remove. Please install this product after cabinet adjusted well, to ensure the product life and effect. And install the product on 2 sides of the cover panel or install on the middle position. Door panel height must at least reaches 32cm.

Installation Quantity Reference

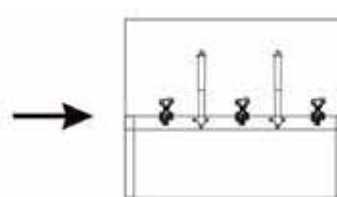
| Door Height | Door Width | |
|---------------|----------------|-----------------|
| | 300 < W ≤ 1000 | 1000 < W ≤ 1500 |
| 320 < H ≤ 500 | 1 piece | 2 pieces |
| 500 < H ≤ 650 | 2 piece | 2 pieces |



Installation instruction for 1 piece



Installation instruction for 2 pieces



Or

LIFT UP BED STAY

1601022A, 1601022B



Parameter Table:

| Code | Arm Length (mm) | Strength (N) | End Mount | Side Mount |
|----------|-----------------|--------------|-----------|------------|
| 1601022A | 1006 | 440 | 28 kgs | 43 kgs |
| 1601022B | 1006 | 630 | 40 kgs | 60 kgs |
| 1601022 | 702 | 630 | 40 kgs | 60 kgs |

Stays

LAMP COMPACT SOFT-DOWN STAY

CSD-10-TV

Made in Japan

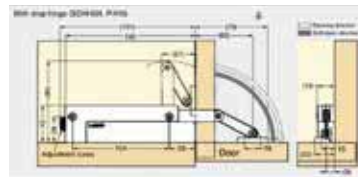


White

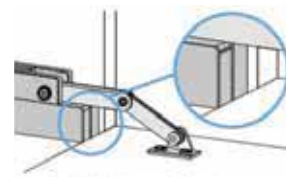
Black

Features

1. Soft-down stay for downward-opening flap doors. Works well with short flap doors.
2. Simply installation by just aligning the stay with the sides and fastening with screws. (For single axis hinges and drop hinges)
3. When closing the flap, the damper provides no resistance and also has a lift assist function for easy lifting and operation (Type M and H only)
4. Non handed.
5. Placed at the bottom of interior of the cabinet, significantly reducing dead space.



Installation

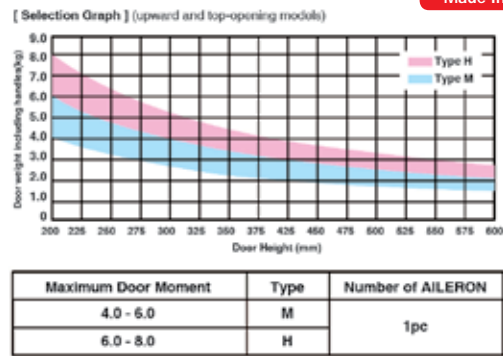


* Cannot be installed with concealed hinges

LAMP AILERON LIFT ASSIST STAY WITH DAMPER

ARN-2-H

Made in Japan



Refer to the left graph as a guide for model selection. For use with doors outside of the scope of this graph, use the calculation below. Door weight includes attached decorations.

Maximum Door Moment (N. m) = Door weight (kg) x 9.80665 x Distance from rotation centre to door centre of gravity (m)

LIFT-ASSIST DAMPER

LAMP LAD

Made in Japan



Features

- Lift-assist mechanism with light opening
- Smooth and soft close movement at the end, preventing flaps from slamming shut.
- Ideal for counter flaps at bars, restaurant and receptions.
- Door thickness: 15-25mm. Max. door thickness with spacer LAD-DP is 40mm.
- Can be installed on the backside of a table with bracket.
- Successfully passed for the 100,000 open/close private cycle test.



Stays



Gas Spring

DSC-001 x 245mm :
8kg, 10kg, 13kg, 15kg, 20kg
DSC-001 x 160mm:
10kg, 13kg, 15kg



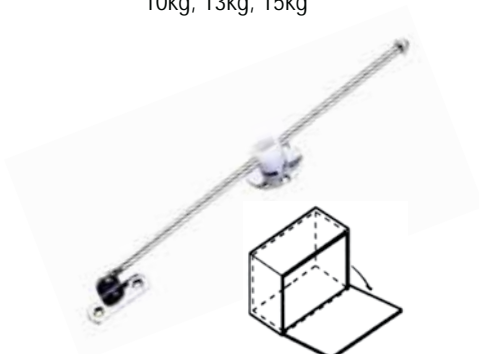
B288

Heavy Duty Lift Up Stay
(Free stop at any position)



SFD-004-2

Lift Up Stay
Steel
Nickel Plated



Downring Opening

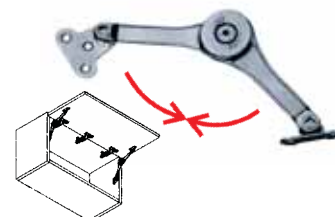
ED-8309

Diameter 5mm x 220mm
Lid Down Stay



L-195, L-270

Lift Up Stay
Stainless Steel



DCS-005B

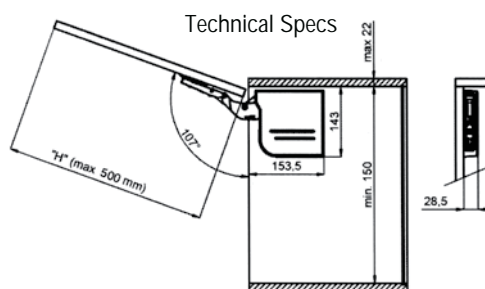
Flap Join Stay
15kgs/pair

AeroBus



Packing in kit, composed by:

- 2 system groups
- 2 covers : right and left
- 2 mounting plates for the door fixing
- 6 screws 4 x 15
- 8 screws 4 x 35

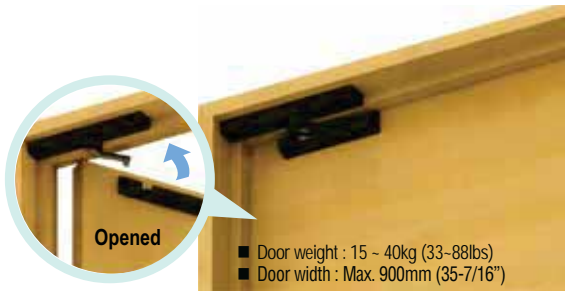


Door weight (including the handle)

| Opening Force | |
|---------------|-----------------|
| "H" (mm) | 59. 0VBS.A9.D40 |
| 400 | 2,4 - 5,5 kg |
| 350 | 2,7 - 6,3 kg |
| 300 | 3,2 - 7,4 kg |
| 250 | 8,8 - 8,9 kg |
| 200 | 4,8 - 11,0 kg |
| 180 | 5,3 - 12,3 kg |

Application with door with height max. 500mm and variable width bound to the load capacity.

Door Closers



LAMP LDD-S LAPCON DOOR DAMPER
(SURFACE MOUNT/RETROFIT DESIGN)

- Door weight : 15 - 40kg (33-88lbs)
- Door width : Max. 900mm (35-7/16")



LAMP LDD-V CONCEALED DOOR DAMPER

- Door Weight – 15 – 40 kgs.
- Door Width – Max. 900mm
- Door Thickness – Min. 33mm



LAMP LDD-V100
HEAVY DUTY DOOR DAMPER

- Door weight: Max. 100 Kgs
- Door Width – Max. 900mm
- Door Thickness – 40-60mm



ST-C115

- Aluminum
Spring Door Closer
Load : 40kgs



MI-701 / 701D / MI-713

- Door Closer
• Door weight: 15-30kg
(D= Hold open)
Medium Duty Door Closer
• Door weight: 45 - 60kg



MI-6303G

- Heavy Duty Door Closer with Slide Arm
• Load Capacity: Max. 65kgs



DT-30

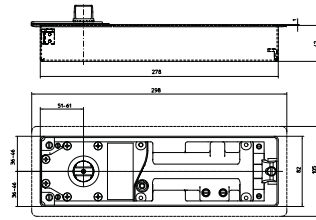
- Concealed Door Closer
• 500,000 Service Life
• Economical Lines
• Door size: 900mm x 2100mm
• Door weight: 25 - 45kg



MI-081

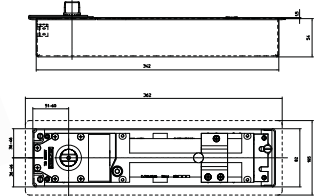
- Door Closer
Door weight: 35-55kgs

GEZE TS 500NV



Closing force in accordance with En 1154 : 1 - 4
 Left width recommended up to: 1100mm
 Left weight recommended up to: 150kg
 Height: 42mm

GEZE TS 550NV



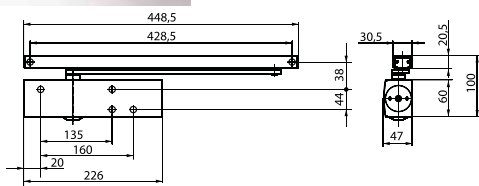
Closing force in accordance with En 1154 : 3 - 6
 Left width recommended up to: 1400mm
 Left weight recommended up to: 300kg
 Height: 54mm

GEZETS 3000 V

Guide rail door closer for 1-leaf doors up to 1100mm leaf width



The overhead door closer TS 3000 V is suitable for both left and right hand single action door. The closing force, size 1-4 acc. to EN 1154, can be adjusted at the side, the hydraulic latching action and thermally stabilised closing speed can be adjusted from the front.



| Products features | GEZE TS 3000 V closer | GEZE TS 3000 V BC closer |
|---|---|-------------------------------|
| Closing force in accordance with En 1154 | 1-4 | |
| Leaf width recommended up to | 1100mm | |
| Identical version DIN-L and DIN-R | • | |
| Product tested in accordance with | Door closer tested in accordance with EN 1154 | |
| Length | 226mm | |
| Installation depth | 46mm | |
| Height | 60mm | |
| Functions | | |
| Adjustable closing force | Yes, stepless | |
| Adjustable closing speed | • | |
| Adjustable latching action | Yes, via valve | |
| Integrated back check | No | Yes, hydraulically adjustable |
| Closing force adjustment position | At the side | |
| Safety valves as protection against vandalism | • | |
| Thermo-constant valves | • | |

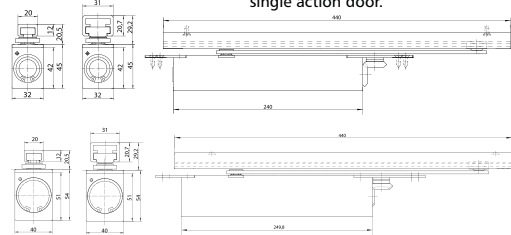
• = Yes ○ = No

GEZE Boxer

Integrated door closer for single-leaf doors with a leaf width of up to 1400mm



GEZE Boxer integrated door closer is incorporated discreetly into the door leaf and frame. The guide rail and lever are only visible when the door is open. Once the door closer is installed, the closing force and speed, latching action and hydraulic back check can be conveniently adjusted from the top. It is suitable for both left and right hand single action door.



| Products features | Boxer closer | Boxer closer |
|--|---|--------------|
| Closing force in accordance with En 1154 | 2-4 | 3-6 |
| Leaf width recommended up to | 1100mm | 1400mm |
| Leaf weight recommended up to | 130kg | 180kg |
| Minimum leaf thickness | 40 | 50 |
| Identical version DIN-L and DIN-R | • | • |
| Product tested in accordance with | Door closer tested in accordance with EN 1154 | |
| Suitable for fire protection doors | • | • |
| Length | 286mm | 293mm |
| Installation depth | 32mm | 40mm |
| Height | 45mm | 54mm |
| Functions | | |
| Adjustable closing force | Yes, infinitely variable | |
| Adjustable closing speed | • | • |
| Adjustable latching action | Yes, via valve | |
| Integrated back check | Yes, hydraulically adjustable | |
| Closing force adjustment position | Top | |
| Safety valve as protection against vandalism | • | • |

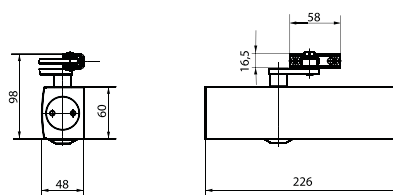
• = Yes ○ = No

GEZE TS 2000V

Link arm door closer for single-leaf doors with a leaf width up to 1250mm



The overhead door closer is suitable for both left and right hand single action door. The closing force is variable in accordance with DIN En 1154, size 2/4/5, by mounting position. The closing speed can be conveniently adjusted from the front and latching action is adjusted by means of the link arm.

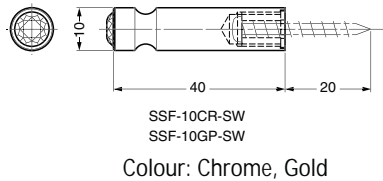


| Products features | GEZE TS 2000 NV closer | GEZE TS 2000 V closer | GEZE TS 2000 VBC closer |
|--|---|-----------------------|-------------------------|
| Closing force in accordance with En 1154 | 2-4 | | 2/4/5 |
| Leaf width recommended up to | 1100mm | | 1250mm |
| Identical version DIN-L and DIN-R | • | • | • |
| Product tested in accordance with | Door closer tested in accordance with EN 1154 | | |
| Suitable for fire protection doors | • | ○ | • |
| Mounting plate with hole patterns acc. to N1154 Supplement 1 | • | • | • |
| Length | | 266mm | |
| Installation depth | | 48mm | |
| Height | | 60mm | |
| Functions | | | |
| Adjustable closing force | • With variable adjustable | • Via mounting | • |
| Adjustable closing speed | • | • | • |
| Adjustable latching action | • Via Value | • | • Via Link arm |
| Integrated back check | Optional | • | • Hydraulic fixed |
| Closing force adjustment position | On the side | Mounting position | |
| Thermo-constant valves | • | • | • |

• = Yes ○ = No

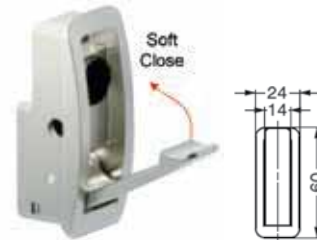
Bolts / Hooks

LAMP SSF-10-SW VANITY HOOK WITH SWAROVSKI CRYSTAL



LAMP NF-60F

Silver Recessed Hook



PXB-GN05-111

LAMP

Features & Advantages

- Soft silicon rubber to prevent injuries for CHILDREN
- Heavy duty
- Colors will never fade
- Innovative & lively colors matching with your doors & furnitures
- Suitable for use in residential, hotels, hospital, kindergarten, etc....



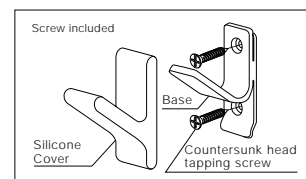
Beige



Brown



Dark Grey



Dimensions: W25×H75×D35
Load Capacity: 80N / 8.1kgf
Material: Silicone Rubber (Q),
Stainless Steel (SUS304)

PXB-GR05-111

LAMP



LIGHT RED



LIGHT YELLOW



LIGHT GREEN



LIGHT BLUE



WHITE

Dimensions : W15 × H44.5 × D50.5
Load Capacity : 100N / 10.2kgf
Material : Silicone Rubber (Q),
Stainless Steel (SUS304)

Covered with colorful and round-shaped silicon, this softhearted hook gives a touch of light to various environments such as nursery, primary schools and nursing homes.

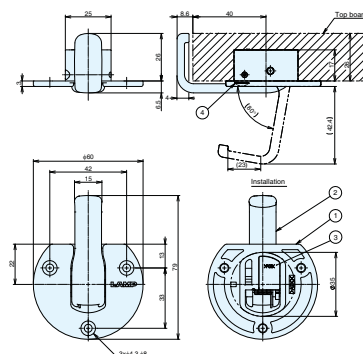
Rounded design with light, pastel colours and a soft touch provide the space with a friendly atmosphere.



LAMP HK-CH35
Counter Table Hook
Black

Features

- When not in use, the hook will automatically retract.
- When retracted, the arm will be visible from the sides of the table or board making it easy to tell whether the hook is holding something or not.
- Applicable board thickness: Min: 26 mm. For board thickness below 26 mm, please use an optional spacer to adjust the hook installation position.



MI-002
Stainless Steel
Cloth Hook
with Plate



MZ-079
3", 4"
Stainless Steel Bolt
with Spring
(20mm or 40mm)



MZ-078
3", 4"
Stainless Steel Bolt



L001
Satin Nickel
Concealed Security Latch



FG-2, 4, 6, 12
2" & 4" & 6" & 12"
Hook
Stainless Steel



ST-6129
4" & 6" & 8" & 10" & 12"
Stainless Steel Bolt



AN-5010
Bolt
Brushed Satin Nickel



W-12SS
Stainless Steel Door
Chain



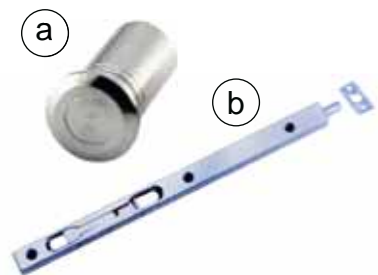
MI-501
Stainless Steel Indicating Bolt



DG-011
BSN
Door Guard with
rubber Protector



MI-001
Stainless Steel Hook



DSP-001
(a) Dust Proof Socket
Stainless Steel, Brass Plated



MI-031
Satin Nickel /
Antique Brass
Door Guard



MI-229
Door Guard With Chain

DB-004
(b) Stainless Steel Flush Bolt 6",
8", 10", 12", 18", 24"
Box Type



Q3A
Stainless Steel Door Bolt

Bed & Wardrobe Systems

MI-TK-689 Horizontal Pull down bed accessories with desk

- Wall Bed (Murphy bed) Mechanism



Features:

1. This wall bed mechanism is of damper which changes lifting strength according to different opening angles. The bed can be easily pulled open to 30 degrees just at the beginning of opening. As wall bed opens down, forces of gravity and damping increase, which makes the wall bed go down steadily and can even stop at whatever positions. Conversely, the wall bed mechanism has the same function when it closes.
2. The wall bed mechanism is of a safety lock which locks automatically when bed completely closes.
3. Open the bed: pressing the lock hole on the bed panel can pop out the bed handle. Rotating downward and pulling outward the handle can open wall bed.
4. The wall bed mechanism includes metal bedstead (bed frame) for the mattress.
5. The mechanism is of automatic legs, which avoids opening the legs by hand.
6. The hidden wall bed is in particular suitable for small room, which is space-saving.
7. No. guide bar is required.

Parameter details:

| Model | MZ-TK 689-1 | MZ-TK 689-2 |
|-------------------------|---------------------|---------------------|
| Size Inside Bed Cabinet | 2086 x 1093 x 309mm | 2086 x 1393 x 309mm |
| Mattress Size | 900 x 2000 x 160mm | 1200 x 2000 x 160mm |



MI-TK589 Vertical pull down bed accessories with desk

- Pneumatic End Mount Style (Vertical) Wall Bed (Murphy bed) Hardware Mechanism



Features:

1. This wall bed mechanism is of damper which changes lifting strength according to different opening angles. The bed can be easily pulled open to 30 degrees just at the beginning of opening. As wall bed opens down, forces of gravity and damping increase, which makes the wall bed go down steadily and can even stop at whatever positions. Conversely, the wall bed mechanism has the same function when it closes.
2. The wall bed mechanism is of a safety lock which locks automatically when bed completely closes.
3. Open the bed: pressing the lock hole on the bed panel can pop out the bed handle. Rotating downward and pulling outward the handle can open wall bed.
4. The wall bed mechanism includes metal bedstead (bed frame) for the mattress.
5. The mechanism is of automatic legs, which avoids opening the legs by hand.
6. No guide bar is required.

Parameter details:

| Item No. | MI-TK589-1 | MI-TK589-2 | M2-TK589-3 |
|-------------------------|--------------------|---------------------|---------------------|
| Size Inside Bed Cabinet | 986 x 2198 x 309mm | 1286 x 2198 x 309mm | 1586 x 2198 x 309mm |
| Mattress Size | 900 x 2000 x 160mm | 1200 x 2000 x 160mm | 1500 x 2000 x 160mm |



Bed & Wardrobe Systems

MI-TK560 Hidden Murphy Wall Bed Series (Soft opening down)

- **Pneumatic End Mount Style (Vertical)**

Wall Bed (Murphy bed)
Hardware Mechanism



Features:

1. This wall bed mechanism is of damper which changes lifting strength according to different opening angles. The bed can be easily pulled open to 30 degrees just at the beginning of opening. As wall bed opens down, forces of gravity and damping increase, which makes the wall bed go down steadily and can even stop at whatever positions. Conversely, the wall bed mechanism has the same function when closes.
2. The wall bed mechanism is of a safety lock which locks automatically when bed completely closes.
3. Open the bed: pressing the lock hole on the bed panel can pop out the bed handle. Rotating downward and pulling outward the handle can open wall bed.
4. The wall bed mechanism includes metal bedstead (bed frame) for the mattress.
5. The mechanism is of automatic legs, which avoids opening the legs by hand.
6. No guide bar is required.

Parameter details:

| Item No. | MI-TK560-1 | MI-TK560-2 | MI-TK560-3 |
|-------------------------|----------------|-----------------|-----------------|
| Size Inside Bed Cabinet | 986x2198x309mm | 1286x2198x309mm | 1586x2198x309mm |
| Mattress Size | 900x2000x160mm | 1200x2000x160mm | 1500x2000x160mm |



Combination with
Murphy wall Table

MI-TK669 Pneumatic Side Mount Style (Horizontal) (Soft opening down function)

- **Wall Bed (Murphy bed)**
Mechanism



Features:

1. This wall bed mechanism is of damper which changes lifting strength according to different opening angles. The bed can be easily pulled open to 30 degrees just at the beginning of opening. As wall bed opens down, forces of gravity and damping increase, which makes the wall bed go down steadily and can even stop at whatever positions. Conversely, the wall bed mechanism has the same function when it closes.
2. The wall bed mechanism is of a safety lock which locks automatically when bed completely closes.
3. Open the bed: pressing the lock hole on the bed panel can pop out the bed handle. Rotating downward and pulling outward the handle can open wall bed.
4. The wall bed mechanism includes metal bedstead (bed frame) for the mattress.
5. The mechanism is of automatic legs, which avoids opening the legs by hand.
6. The hidden wall bed is in particulars suitable for small room, which is space-saving.
7. No. guide bar is required.

Parameter details:

| Item No. | MI-TK 669-1 | MI-TK 669-2 | MI-TK 669-3 |
|-------------------------|-----------------|-----------------|-----------------|
| Size Inside Bed Cabinet | 2086x1093x309mm | 2086x1393x309mm | 2086x1693x309mm |
| Mattress Size | 900x2000x160mm | 1200x2000x160mm | 1500x2000x160mm |



Bed & Wardrobe Systems



MI-TK1601024
Multi-Function
Bed Hinge



MI-1604
Wardrobe Extension Mirror Slide (C/W Mirror & Frame)
W350 x H1200mm



Made in Italy

Made in Japan



MI-174.026
85cm - 110cm
15kgs
Coat Lift Hanger
With Soft Closing
Grey



LIFT 700-700A
Load Capacity: 15kgs
83 - 115cm
Sleek Design Cloth Lift



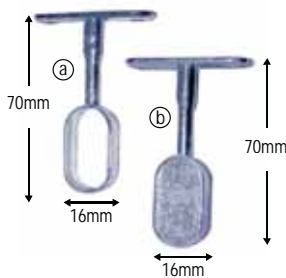
LAMP TAW1200 (Double Type)

- The double-type model is designed for installation on side walls of a cabinet or closet, using it in full width.
- Adjusting the length of the rod is easily done in just one step. Load capacity: Up to 15kg or 33 lbs (evenly distributed)

SUPER LIFT-ISIA
Load Capacity: 20kgs
83 - 115cm
Heavy Duty Cloth Lift



WS-002
Oval Rod Holder
Nickel Plated



a) TH-120 Oval Center Bracket
b) TH-119 Oval End Bracket

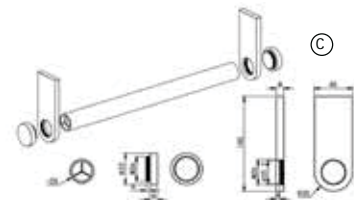


a) WR-004A Aluminium Oval Pipe
H30mm x W15mm X L3000mm

c) WR-004S Steel Chrome
Plated Oval Pipe
H30mm x W15mm X L3000mm



a) MZ-203/ Dia 25 x 3000mm
Alluminium Hanging Rod with
Rubber Strip



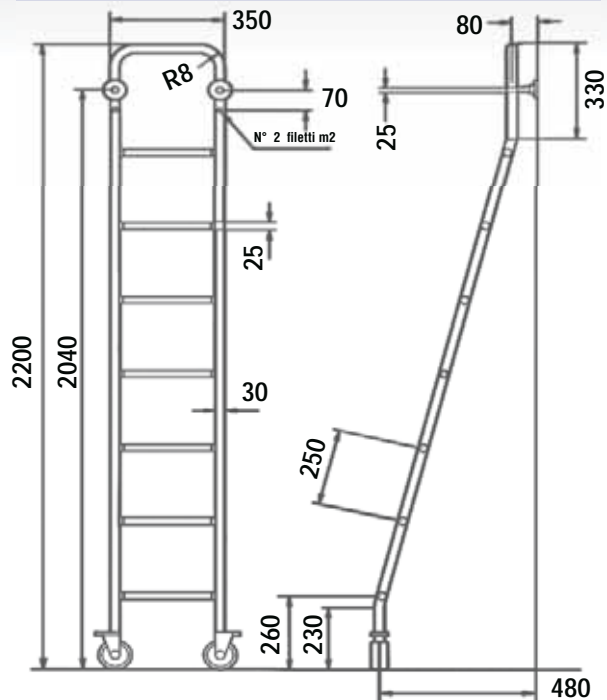
b) MI-3625
Alluminium End Holder

Bed & Wardrobe Systems

CodICE 000V071-15 / 3 metres



STEP System composed of rails for the application of sliding doors and ladder.



MI-1508

Trousers Pullout Basket (Soft Closing)
 W664 x D460 x H71mm 600mm
 W764 x D460 x H71mm 800mm
 W864 x D460 x H71mm 900mm
 Space Grey



MI-1504

Trousers Pullout Basket (Soft Closing)
 W564 x d460 x H175mm 600mm
 W764 x d460 x H175mm 800mm
 W864 x d460 x H175mm 900mm
 Space Grey



Wardrobe Accessories Storage Box

ZY-0760L

W564 x 478 x 73mm (cabinet size: 600mm)

ZY-0780L

W764 x 478 x 73mm (cabinet size: 800mm)

ZY-0790L

W864 x 478 x 73mm (cabinet size: 900mm)



HZ040

Build-In Ironing Board
 D500XW (350-500) X H80mm



MI-177.020

Pull Out Tie Rack
 Dimension (W*D*H*): 130 x 450 x 75mm



MI-177.021

Pull Out Tie & Belt Rack
 Dimension (W*D*H*): 74 x 450 x 116mm



MI-JJ9

Stainless Steel Cloth Hanger

Switches / Sockets / Doorbell / Power Track

Battery-Free Wireless Doorbell

MI-DVB-01-05



FEATURES



POWER TRACK



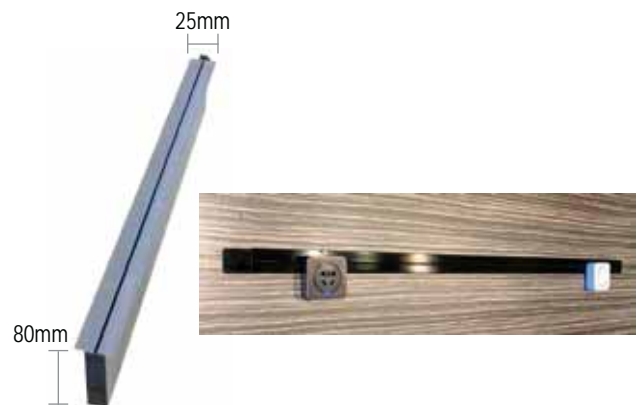
MI-XP228
PANDORA SET A (400 mm)
Black / Silver / Gold



MI-XP1006 (1200mm) MI-XP128
PANDORA SET B (400 mm)
Black / Silver / Gold



MI-XP1005
Length: 500mm, 1000mm, 2500mm
Black / White
Power Track



MI-XP1006 (1200mm)
Power Track (220 - 240V)
Black
Length : 1200mm

Switches / Sockets / Doorbell / Power Track

POWER TRACK

IP54

TUV

WATER PROOF

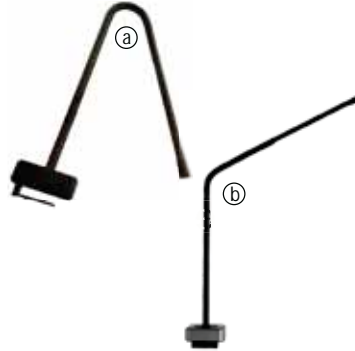
SHOCK PROOF

DUST PROOF



MI-XP118

Outlet Rubber
Hoop



a) MI-XP118

Reading light with USB Plug
(Hanging Insert) Black

b) MI-XP119

Reading light
(Vertical Insert) Black



MI-XP328

Bluetooth Speaker



MI-XP102

Uni Outlet
(Hanging Insert)
Black



MI-XP103

Uni Outlet
(Vertical Insert)
Black



MI-XP104

Uni Outlet
(Straight Insert)
Black



MI-XP105

USB Outlet
(Hanging Insert)
Black



MI-XP106

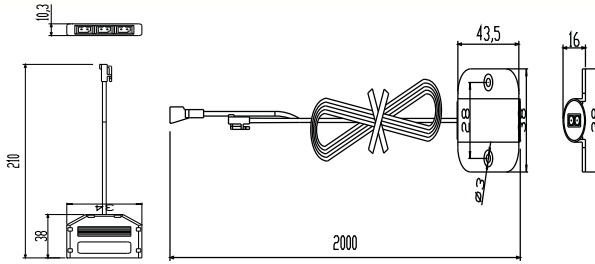
USB Outlet
(Vertical Insert)
Black



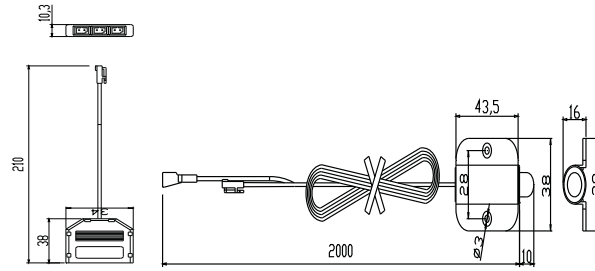
MI-XP107

USB Outlet
(Straight Insert)
Black

Lightings (LED)



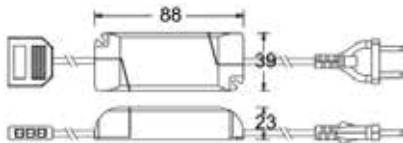
7002
 Infra-red Sensor
 Size induction: 45 x 36 x 16mm;
 distribution box: 38 x 34 x 10mm
 Material ABS
 Power MAX.30W
 Input voltage DC 12V male terminal
 Out voltage DC 12V female terminal



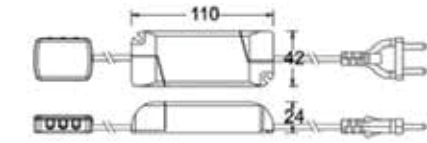
7003
 PIR Sensor
 Size induction: 45 x 36 x 16mm;
 distribution box: 38 x 34 x 10mm
 Material ABS
 Power MAX.30W
 Input voltage DC 12V male terminal
 Out voltage DC 12V female terminal
 Induction
 Distance 3m



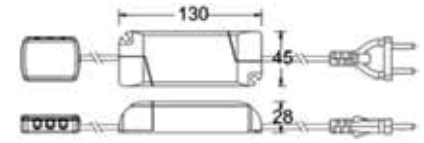
IP67-70
 Tow LED Transformer
 L168 x W42 x H28mm
 165 - 240V (Input)
 12V (Output)
 With B Terminal



LED Driver (9905)
 No wiring, with 3-position junction box. A 9W high wattage, low heat.



LED Driver (9915)
 No wiring, with 6-position junction box. A 15W high wattage, low heat.

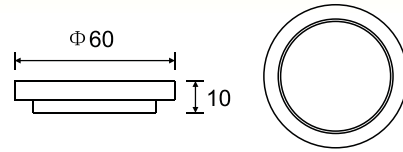


LED Driver (9936)
 No wiring, with 6-position junction box. A 36W high wattage, low heat.

| Model | Input Voltage | Output Voltage | Output Current | Output Wattage |
|-------|---------------|----------------|----------------|----------------|
| 9909 | AC175-240V | DC12V | 0.75A | 9W |
| 9915 | AC175-240V | DC12V | 1.25A | 15W |
| 9936 | AC175-240V | DC12V | 3A | 36W |



360 °shiny surfaces



| Code | Wattage | Color temperature | Voltage |
|------|---------|--------------------|---------|
| 2301 | 2.2W | 4000K (warm light) | DC12V |

2301- Cabinet Lamp

- The lampshade is with PC optical diffusion material, in order to let the effect of light is full and soft.
- Convex lampshade design, 360 °Shiny surfaces, to ensure around the light without a dark.
- Application: 1: kitchen 2 : bathroom and shop
- Life: thirty thousand hours
- Material: Aluminum. PC
- Surfaces treatment: High light Oxidation
- Cable length: 1.8m
- Switch: without • Colour: Silver / Black

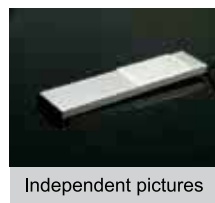


T5-LED

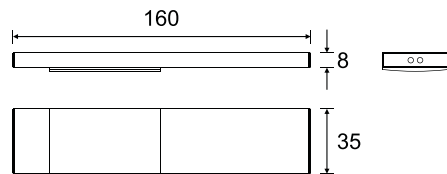
| Code | Length | Wattage | Colour Temperature | Voltage |
|---------|--------|---------|--------------------|---------|
| T5-320 | 320MM | 5W | | |
| T5-470 | 470mm | 6W | | |
| T5-570 | 570mm | 7W | 4000K | AC 165 |
| T5-730 | 730mm | 10W | | --265V |
| T5-870 | 870 | 12W | | |
| T5-1020 | 1020mm | 15W | | |



8mm Ultra-thin design



Independent pictures



| Code | Wattage | Color temperature | Voltage |
|------|---------|--------------------|---------|
| 2304 | 1.5W | 6400K (cool light) | DC12V |

2304 - Ultra thin cabinet lamp

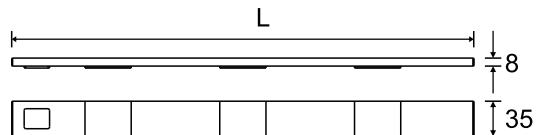
- Integrated sensor
- 8mm Ultra-thin design
- Invisible screw design, installing simple
- Application: 1:kitchen2 : bathroom and shop
- Life: thirty thousand hours
- Material: Aluminum, PC
- Surfaces treatment: Oxidation matte silver
- Cable length: 1.8m
- Switch: Infrared sensor



Invisible screw design



Touch switch



| Code | Length | Wattage | Color temperature | Voltage |
|------|--------|---------|--------------------|---------|
| 3301 | 600mm | 4.4 W | 3200K (warm light) | DC12V |
| 3302 | 900mm | 5.8 W | 3200K (warm light) | DC12V |

3301 / 3302

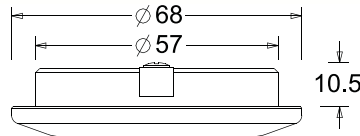
Ultra-thin cabinet bottom lamp

- 8mm Ultra-thin design
- High brightness, No dazzling influence
- Invisible screw design
- Application: Cabinet lighting for kitchen and living areas
- Life: thirty thousand hours
- Material: Aluminum, PC
- Surfaces treatment: Oxidation matte silver
- Cable length: 1.8m
- Switch: Touch switch

Lightings (LED)



Independent pictures



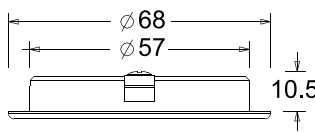
| Code | Wattage | Color temperature | Voltage |
|------|---------|--------------------|---------|
| 2307 | 2W | 4000K (warm light) | DC12V |

2307- Cabinet Lamp

- Butterfly design, simple and generous.
- Convex lampshade design, 360° Shiny surfaces, to ensure around the light without a dark.
- The light effect diffusion, softly and delicate.
- Application: Cabinet lighting for kitchen and living areas
- Life: thirty thousand hours
- Material: Aluminum, PC
- Surfaces treatment: Oxidation matte silver
- Cable length: 1.8m
- Switch: without



Independent pictures



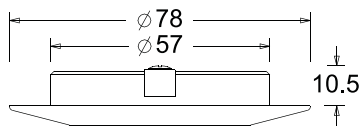
| Code | Wattage | Color temperature | Voltage |
|------|---------|--------------------|---------|
| 2308 | 2W | 4000K (warm light) | DC12V |

2308 - Cabinet Lamp

- Embedded design, is very perfectly hid in the plate.
- The light effect diffusion, softly and delicate.
- Application: Cabinet lighting for kitchen and living areas
- Life: thirty thousand hours
- Material: Aluminum, PC
- Surfaces treatment: Oxidation matte silver
- Cable length: 1.8m
- Switch: without



Independent pictures



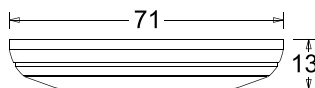
| Code | Wattage | Color temperature | Voltage |
|------|---------|--------------------|---------|
| 2309 | 2W | 4000K (warm light) | DC12V |

2309- Cabinet Lamp

- Butterfly design, the appearance is champagne, simple and generous.
- Embedded design, is very perfectly hid in the plate.
- The light effect diffusion, softly and delicate.
- Application: Cabinet lighting for kitchen and living areas
- Life: thirty thousand hours
- Material: Aluminum, PC
- Surfaces treatment: Oxidation matte silver
- Cable length: 1.8m
- Switch: without



Independent pictures

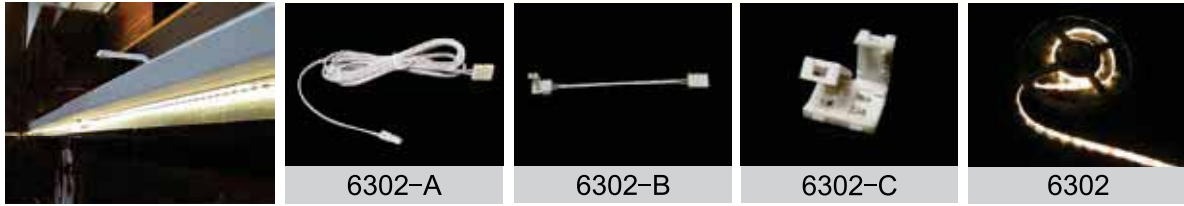


| Code | Wattage | Color temperature | Voltage |
|------|---------|--------------------|---------|
| 2308 | 2W | 4000K (warm light) | DC12V |

2310 - Cabinet Lamp

- The lampshade is with PC optical diffusion material, in order to let the effect of light is full and soft.
- Convex lampshade design, 360° Shiny surfaces, to ensure around the light without a dark.
- Application: 1: kitchen 2: bathroom and shop
- Life: thirty thousand hours
- Material: Aluminum, PC
- Surfaces treatment: High light Oxidation
- Cable length: 1.8m
- Switch: without

Lightings (LED)

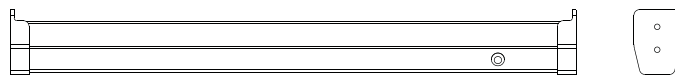


Cabinet Light with Handle

- According you need the light belt length to cut arbitrarily, so also hasn't waste and use easilyflexibly.
- Silicone packaging, absolutely waterproof, For 5 years no change color and no degumming.
- Application: Cabinet lighting for kitchen and living areas
- Life: thirty thousand hours

| Code | Wattage | Color temperature | Voltage |
|------|---------|--------------------|---------|
| 6302 | 4.8W/m | 3200K (warm light) | DC12V |

- Material: Silica gel and copper
- Length: 5m/reel
- Switch: without
- Length: 5 meters/Roll

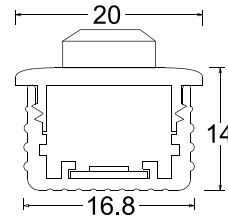
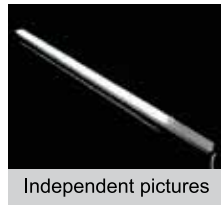
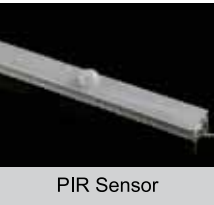


CR602 - Wardrobe lamp

- Simple design, smooth visual effect.
- 120°extra wide light angle, so that let the inner cabinet is full light.
- The LED be designed hide inside, see the light won't feel dazzling.
- Application: Wardrobe lighting for living room and clothes rod.

| Code | Wattage | Color temperature | Voltage |
|-------|---------|--------------------|---------|
| CR602 | 4.8W/m | 6400K (cool light) | DC12V |

- Life: thirty thousand hours
- Material: Aluminum,PC
- Surfaces treatment: Oxidation matte silver
- Cable Length: 1.8m
- Switch: PIR sensor
- Length : 1000mm

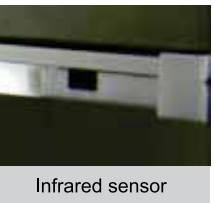


2306 - Embed style cabinet lamp

- Embedded design, is very perfectly hid in the plate.
- The light effect diffusion, softly and delicate.
- Application: 1: kitchen 2: shop and wardrobe
- Life: thirty thousand hours
- Material: Aluminum, PC

| Code | Wattage | Color temperature | Voltage |
|------|---------|--------------------|---------|
| 2306 | 9.6W/m | 3200K (warm light) | DC12V |

- Surfaces treatment: Oxidation matte silver
- Cable Length: 1.8m
- Switch: PIR Sensor
- Length : 567mm, 876mm, 1167mm

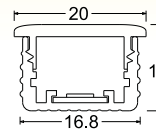


4602 - Drawer lamp

- Three emitting surface.
- With switch of drawer light can gradually tum on or off.
- Application: Cabinet lighting for kitchen and living areas
- Life: thirty thousand hours
- Material: Aluminum, PC
- Surfaces treatment: Oxidation matte silver
- Cable length: 1.8m
- Switch: Infrared sensor

| Code | Length | Wattage | Color temperature | Voltage |
|-----------|--------|---------|--------------------|---------|
| 4602-463 | 463mm | 4.3W | 6400K (cool light) | DC12V |
| 4602-563 | 563mm | 5.4W | | |
| 4602-863 | 863mm | 8.6W | | |
| 4602-1163 | 1163mm | 11.8W | | |

Lightings (LED)



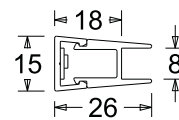
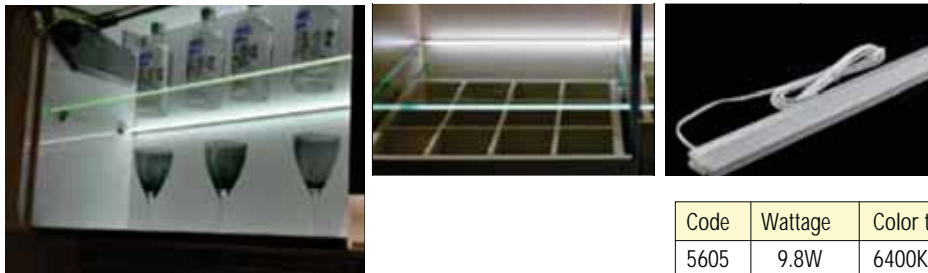
| Code | Wattage | Color temperature | Voltage |
|------|---------|--------------------|---------|
| 2305 | 9.6W | 3200K (warm light) | DC12V |

Length: 567mm, 1167mm, 2500mm

2305 - Inner Cabinet Shelving Lamp

- Double protective glue.
- With 3M double adhesive fixed.
- Application: kitchen bathroom and shop
- Life: thirty thousand hours

- Material: Aluminum, PC
- Surfaces treatment: Oxidation matte silver
- Cable length: 1.8m
- Switch: without



| Code | Wattage | Color temperature | Voltage |
|------|---------|--------------------|---------|
| 5605 | 9.8W | 6400K (cool light) | DC12V |

Length: 563mm, 863mm

5605 - Inner Cabinet Shelving Lamp

- Double protective glue.
- With 3M double adhesive fixed.
- Application: kitchen bathroom and shop
- Life: thirty thousand hours

- Material: Aluminum, PC
- Surfaces treatment: Oxidation matte silver
- Cable length: 1.8m
- Switch: without



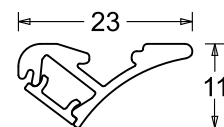
| Code | Wattage | Color temperature | Voltage |
|------|---------|--------------------|---------|
| 6303 | 9.6W | 4000K (warm light) | DC12V |

Length: 450mm, 600mm, 900mm

6303 - Inner Cabinet Shelving Lamp

- Double protective glue.
- With 3M double adhesive fixed.
- Application: kitchen bathroom and shop
- Life: thirty thousand hours

- Material: Aluminum, PC
- Surfaces treatment: Oxidation matte silver
- Cable length: 1.8m
- Switch: without



| Code | Wattage | Color temperature | Voltage |
|------|---------|--------------------|---------|
| 6406 | 9.8W | 4000K (warm light) | DC12V |

Length: 567mm, 876mm, 1167mm

6406 - Inner Cabinet Shelving Lamp

- Double protective glue.
- With 3M double adhesive fixed.
- Application: kitchen bathroom and shop
- Life: thirty thousand hours

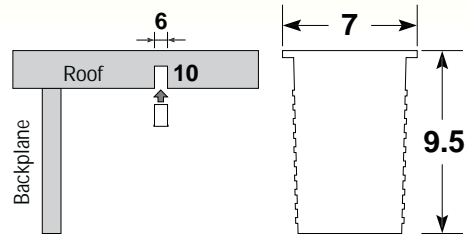
- Material: Aluminum, PC
- Surfaces treatment: Oxidation matte silver
- Cable length: 1.8m
- Switch: without

Lightings (LED)



Ultra Narrow Side Lamp

- Black oxidation, calm and dignified.
- Only 4mm light, the limit is expected.
- Standard with no switch, optional with Nando induction switch.

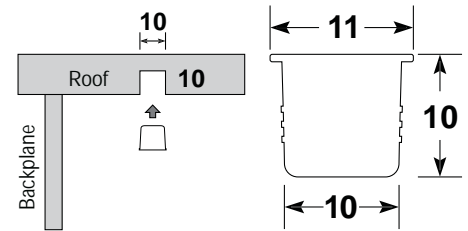


| Model | Wattage | Color temperature | Voltage |
|--------|-----------------|-----------------------|---------|
| FW6308 | 4W Per metre | 3000K (Yellow Light) | DC12V |
| FW6408 | | 4000K (Natural Light) | |

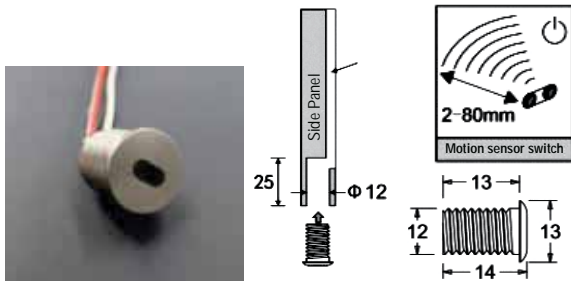


Embedded Light Bar

- Embedded design, hidden in the board, perfect integration.
- Diffuse light, soft and delicate.
- Standard with no switch, optional with Nando Induction switch.



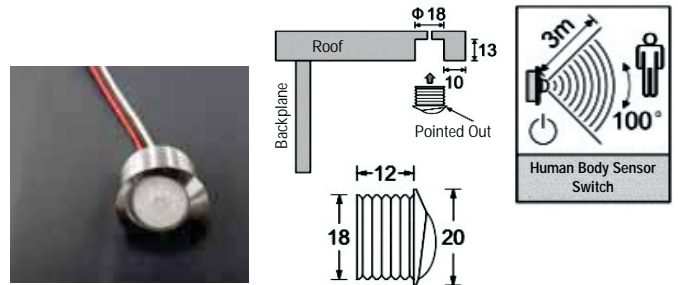
| Model | Wattage | Color temperature | Voltage |
|-------|-------------------|-----------------------|---------|
| 6310 | 9.8W Per metre | 3000K (Yellow Light) | DC12V |
| 6410 | | 4000K (Natural Light) | |
| 6610 | | 6000K (White Light) | |



Action Sensing Switch

- For the bottom of the cabinet
- Embedded design, hidden in the cabinet.

| Model | Max.Wattage | Induction Distance | Voltage |
|-------|-------------|--------------------|---------|
| 7004 | 24W | 2-80mm | DC12V |
| 7004A | 100W | | AC220V |



People Induction Switch

- Embedded design, hidden in the cabinet.
- For open space, cloakroom, open cabinet.

| Model | Max.Wattage | Induction Distance | Induction Angle | Voltage |
|-------|-------------|--------------------|-----------------|---------|
| 7005 | 24W | 3mm | 100° | DC12V |
| 7005A | 100W | | | AC220V |



MI- 4312
Auto Switch
Beige, Black



TC6424-17
Mechanical Auto Switch
For Sliding Door
Black



MI-2835
12V x 60LED
2700K
5 Meters LED Belt Without Casing

Wire Display Systems



4000-24
Hanger Support



4000-17
Floor Fixed Base



4000-21
Floor Fixed base



4000-36
Base Support



4000-16
Outside Glass Support Base



4000-19
Turn Buckle



4000-11 Wire
4000-11-200-3 (ø2.00mm, 3m LG)
4000-11-200-5 (ø2.00mm, 5m LG)
4000-11-250-3 (ø2.50mm, 3m LG)
4000-11-250-5 (ø2.50mm, 5m LG)



4000-12
Ceiling Base Mount



4000-14
Floor Fixed Base



4500-01
Pendant (used for ceiling)
Hanger installed to rail track A0093

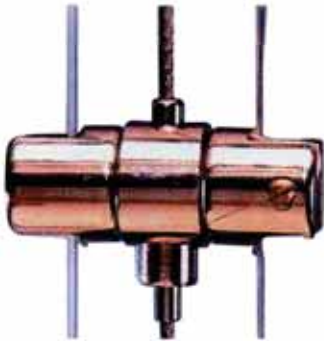


4000-34
Poster holder



4000 Series Wire display / Cable system China patent number ZL97 2223300.4

Wire Display Systems



4000-22
Outside Glass Support Base



4000-23
Outside Glass Support Base



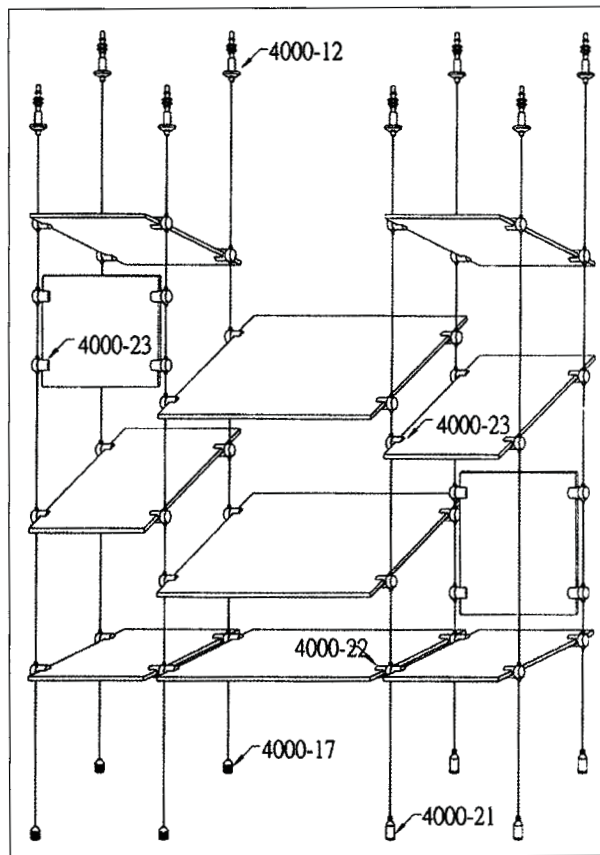
4000-15
Bored Hole Base for Glass



4000-20
Wire Fixed Base



4000-13
Center Glass Support Base



4000-Series
Wire Display/ Cable System

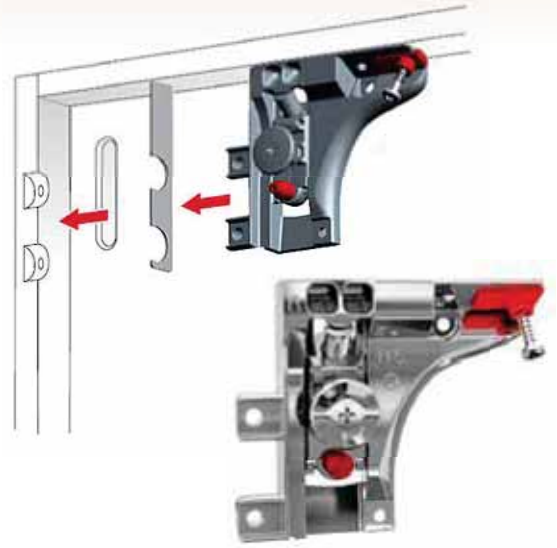
Kitchen Accessories



Italiana LIBRA H1

Made in Italy

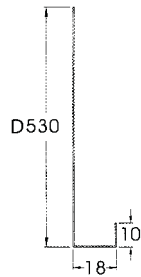
Wall Mounted Suspended Bracket
for upper cabinets
Load capacity: 75 kgs/pc



Italiana LIBRA H6

Made in Italy

Wall Mounted Suspended Bracket
for lower cabinets
Load capacity: 120 kgs/pc



Under Sink Base

Aluminium
Size: D530 x L555
/L855/ L955/ L1155

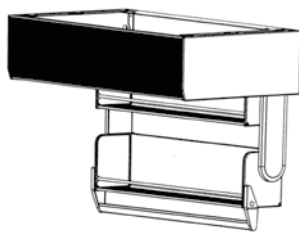
- * To Protect the kitchen cabinet base from water and spills
- * Come with side sealing profile
- * Exclusive Design



AF-0142

Made in Germany

500mm (D) x 30 meters (L) x 1.3mm (T)
Anti-Slip mats
Food Friendly, Heat-Resistant



PTJ-0181

Double-layer Storage Box
600 (L) x 340 (W) x 190mm (H)



E0103-14L

Pull Out Waste Bin
D290 x H430mm



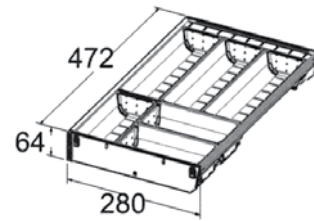
MZ-E0404-40L

Pull out Waste Bin
D490 x W350 x
H430mm

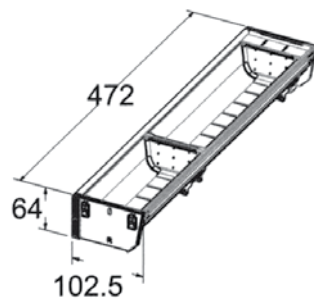
SLG-003-SL

Table Top Waste Bin
Ø240mm x H230mm
Hole Ø210mm

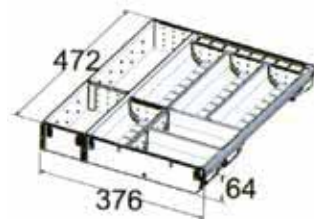




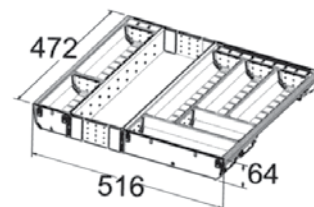
MI-650A
Cutlery Tray
Size (W X D X H): 280mm x 472mm x 64mm
Drawer Depth:500mm



MI-650B
Cutlery Tray
Size (W X D X H): 103mm x 472mm x 64mm
Drawer Depth:500mm



MI-650D
Cutlery Tray
Size (W X D X H): 376mm x 472mm x 64mm
Drawer Depth:500mm



MI-650E
Cutlery Tray
Size (W X D X H): 516mm x 472mm x 64mm
Drawer Depth:500mm

Kitchen Accessories



CZJ-440 A - 500mm
500mm ϕ 457 x 440 x
H1010-1310mm



CZJ-770C - 750mm
750mm D360 x W675 x H85mm
CZJ-770 - 850mm
850mm D382 x W760 x H85mm
CZJ-770G- 850mm
850mm D410 x W760 x H130mm



PTJ-043-350mm
D462 x W285 x H389mm



MO202L/MO202R
D495 x W865 x
H(600-750)mm
(900mm)



PTJ-017 GA/GB
D480 x W(860-960) x H560mm
(900-1000mm)
(GA-Left, GB-Right)



PTJ-009I-150mm
(Side Mounted)
D470 x W110 x
H485mm



CWJ241B
L402 x W40 x H65mm
Wall Hook



a) CWJ-214
 ϕ 16 x L(600~1000)mm
b) CWJ-212K
L22 x W20 x H50mm
c) HS-3
Stainless Steel Hook



BJ001
Wine holder
L930 x W300 x H320mm



PTJ-003J - 200mm
D435 x W140 x H430mm
PTJ-003I - 300mm
D435mm x W245mm x H430mm



PTJ-023K - 200mm
D385 x W157 x H470mm
PTJ-023 - 150mm
D390 x W102 x H525mm



PTJ-007G - 400mm
D425 x W364 x H140mm
PTJ-007C - 450mm
D425 x W414 x H140mm
PTJ-007D - 500
D425 x W464 x H140mm
PTJ-007E - 600mm
D425 x W564 x H140mm
PTJ-007F - 725mm
D425 x W684 x H140mm
PTJ-007A - 800mm
D425 x W764 x H140mm
PTJ-007H - 900mm
D425 x W864 x H140mm



PTJ-005 - 800mm
D415 x W740 x H (600 - 900)mm 750mm



PTJ-006
800 x 600mm ø710H(600 - 900)mm
ø720mm



PTJ-010D - 350mm
D460 x W288 x H490mm



PTJ-004D - 300mm
D400 x W230 x H520mm



PTJ-023D - 270mm
D440 x W215 x H535mm



PTJ-010 - 400mm
D455 x W315 x H540mm



PTJ-025F2 - 400mm
D445 x W344 x H445mm

Wire Baskets



PTJ-012F (N) - 400mm

Large five-layer drawer basket
D480 x W350 x H(1400-1700)mm

PTJ-012G (N) - 300mm

Small five-layer drawer basket
D450 x W240 x H(1400-1700)mm



PTJ-018G-800

D295 x W(764-768) x H560mm
Elevator Lift



MI-C040260-600

D500 x W564 x H(600-750)mm

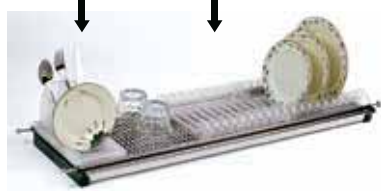
MI-C040245-450

D500 x W414 x H(600-750)mm



**MI-560-2, MI-660-2, MI-760-2,
MI-860-2, MI-960-2**

565, 665, 765, 865, 965mm
SUS 304 Stainless Steel
Dish Rack



a) SJ304-05 b) SJ304-013

ABS Plastic Plate Holder
/ Utensil Holder



MI-A0460CA

Table/Wall Mounted Dish Rack
W568 x 252 x 387mm
(Optional: Utensil / Knife holder)

Stainless Steel Series



MD 0201 L/R

D480mm x W(864-964mm) x H525mm
Magic Corner Pull out
Unit with Soft Closing



E 080625 MZ1

W202 X D476mm x H380mm
Multi-Purpose Utility Pull Out Unit



LA 09120-1200mm

Wall Hanging Utensils Holder
(Utensils not Included)



MD040645K

W414mm x D500mm x H(1850-2150mm)
Pantry Pull Out Unit



B7002

W420 x D420 x H385mm
Foldable Step Ladder

Wire Baskets

Stainless Steel Series



MI-E080720
D425 x W150 x H478mm
(Soft Closing)



MI-E080730
D420 x W250 x H478mm
(Soft Closing)



MI-E080740
D425 x W350 x H478mm
(Soft Closing)



MI-E080535
D425 x W300 x H478mm
(Soft Closing)



MI-E080280
D425 x W764 x H168mm
(Soft Closing)
MI-E080290
D425 x W864 x H168mm
(Soft Closing)



MI-MD030640
D480 x W350 x (H1700-2000)mm
(Soft Closing)



MI-E080960
D425 x W564 x H168mm
(Soft Closing)

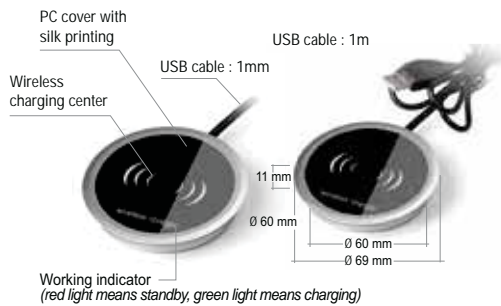


MI-E080860
D425 x W564 x H148mm
MI-E080880
D425 x W764 x H168mm
MI-E080890
D425 x W864 x H168mm
(Soft Closing)

MI-E080980
D425 x W764 x H168mm
(Soft Closing)

MI-E080990
D425 x W864 x H168mm
(Soft Closing)

– High standard aerospace aluminium material –

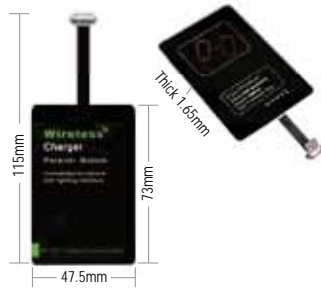


XT-93C

Wireless Phone Charger
For IOS/Android Device

| | |
|----------|-----------------|
| Input | 5V/2A, 9V/1.67A |
| Standard | WPC V1.12 |
| Size | Ø 69*11mm |
| Colour | Silver, Black |

| | |
|-------------------|---------------|
| Output | 5V/1A, 9V/11A |
| Changing Distance | 3-8mm |
| Net Weight | 77g |



XT-93R

Wireless Charger Receiver card
Module For IOS /Android Device

| | |
|--------|-----------------|
| Input | Self-adaptation |
| Output | 1000mA |
| Size | 73.5mm*47.5mm |

**Device which don't
require wireless
charger receiver**

Samsung (S7 edge, S7, S6, Note5),
HTC (Droid DNA, Butterfly, Incredible 4G LTE, 8X),
LG-google (Nexus 4, Nexus 5),
LG: (D1L, LTE2), Nokia (920, 928, 820)



XT-93DUA

Wireless Charger Receiver
Adapter For IOS/Android Device

| | |
|--------|-------------|
| Input | 5W |
| Output | 5W/1000ma |
| Size | 56*40*10.3* |



ZY-285

Keyboard Tray
Slide length: 350mm
Grey



LB-13

Line Box
ø60mm, ø80mm
Zinc Alloy
Satin Nickel, Black



DP-1002

Aluminium Line Box
L=80mm, 160mm, 270mm
(Other colour available
upon request)

LAMP DMFH-EA



Outlet Plate & Connector
*Outlet and connector sold separately.



Slim Design
The thickness is 1.5 mm
when installed.

Features

- A recessed outlet plate.
- Slim 1.5 mm design fits neatly into the installation surface.
- A mounting plate frame (sold separately) is required when mounting.
- See the Compatibility Table for details on products that can be combined.
- Designed with a flange to cover the edge when installing.



APK-KHW226P-BL APK-KHA152P-WT

LAMP APK-KIT

Ventilator with cable Grommet
L: 152mm, 226mm
White, Black



Door Stopper



MI-301 BSN
Magnetic Door Holder



MI-801
Stainless Steel
Strong Magnetic Door
Stopper



MI-305 BSN
Adjustable Door Holder

80mm-102mm



MI-1102
Magnetic Door Holder
BSN



MI-555
Magnetic Door Holder
Size: 4"
BSN, AB



MI-550
Magnetic Door Holder
Size: 3"
BSN, AB, AC, GP



F01-014
Stainless Steel
Door Stopper



a) MI-5025
Door Stopper
BSN, AB, AC, Black

b) MI-848
SN, AB
Magnetic Door Stopper



LDL-301
SUS 304 Stainless Steel
Door Stopper
Size: 140mm



DS-039
Stainless Steel
Door Stopper



F05-003
Door Stopper
Satin Nickel, Black



DS-012
Stainless Steel
Door Stopper

Door Stopper



MI-015
Magnetic Door Stopper
BSN, Black



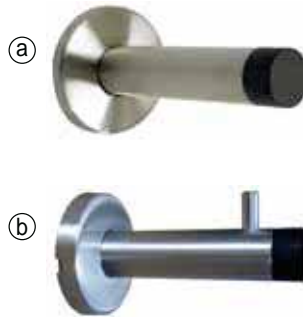
MI-019
L120 X W50 X H32mm
Door Rubber Stopper
with Stainless Steel Holder



LAMP MI, MBR
Ivory / Brown
Magnetic Door Holder



LAMP DJ-175
Step on
Door Holder



a) DS-21 b)DS-52
a) SUS 304 Stainless Steel
Stopper
Size: 76mm
b) SUS 304 Stainless Steel
Stopper With Hook
Size: 76mm



F03-020
Stainless Steel
Door Stopper with Catch



DS-048
SUS 304 Stainless Steel
Magnetic Overhead Door Stopper



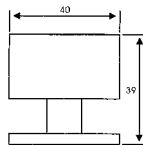
DS-043
SUS 304 Stainless Steel
Overhead Door Stopper
Right / Left



F03-040
Satin Nickel
Magnetic Stopper For Glass Door

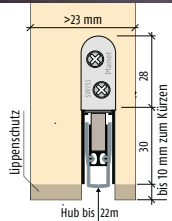


DS-12
Door Stopper
Material: Stainless steel
Finished: SSS, PSS



MI-988
One-Touch Door Stopper
Colour : SN, AB, Black

Residential | Office | Hotel | Hospital



PLANET HS

Sound reduction: 48 dB
Length: 220 – 6000 mm
Options: Standard / **Anti Bacterial**
 fire-retardant / sliding doors
Material: Aluminium, silicone



OPTIONS

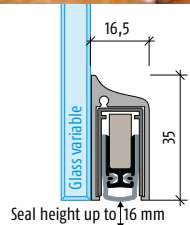
HS → RD | 48 dB

| Art. No. | Length mm |
|----------|-----------|
| 76034 | 335 |
| 76046 | 460 |
| 76059 | 585 |
| 76071 | 710 |
| 76084 | 835 |
| 76096 | 960 |
| 76109 | 1085 |
| 76121 | 1210 |
| 76134 | 1335 |
| 76146 | 1460 |
| 76600 | <6000 |

HS → FH + RD | 48 dB

| Art. No. | Length mm |
|----------|-----------|
| 77034 | 335 |
| 77046 | 460 |
| 77059 | 585 |
| 77071 | 710 |
| 77084 | 835 |
| 77096 | 960 |
| 77109 | 1085 |
| 77121 | 1210 |
| 77134 | 1335 |
| 77146 | 1460 |
| 77600 | <6000 |

MAIN FUNCTIONS



PLANET KG-S

Sound reduction: 48 dB
Length: 335 – 6000 mm
Options: Standard /
 fire-retardant / sliding doors
Material: Aluminium, silicone



OPTIONS

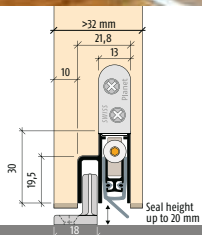
KG-S → RD | 48 dB

| Art. No. | Length mm |
|----------|-----------|
| 38046-S | 459 |
| 38059-S | 584 |
| 38071-S | 709 |
| 38084-S | 834 |
| 38096-S | 959 |
| 38109-S | 1084 |
| 38121-S | 1209 |
| 38134-S | 1334 |
| 38146-S | 1459 |
| 38200-S | <6000 |

KG-S → RD | 48 dB

| Art. No. | Length mm |
|----------|-----------|
| 38046-SX | 459 |
| 38059-SX | 584 |
| 38071-SX | 709 |
| 38084-SX | 834 |
| 38096-SX | 959 |
| 38109-SX | 1084 |
| 38121-SX | 1209 |
| 38134-SX | 1334 |
| 38146-SX | 1459 |
| 38200-SX | <6000 |

MAIN FUNCTIONS



PLANET SL

Sound reduction: 42 dB
Length: 460 – 6000 mm
Options: Standard / fire-retardant
Material: Aluminium, silicone



OPTIONS

SL → RD | 42 dB

| Art. No. | Length mm |
|-------------|-----------|
| 73059 L R | 585 |
| 73071 L R | 710 |
| 73084 L R | 835 |
| 73096 L R | 960 |
| 73109 L R | 1085 |
| 73121 L R | 1210 |
| 73134 L R | 1335 |
| 73146 L R | 1460 |
| 73600 L R | <6000 |

SL → FH + RD | 42 dB

| Art. No. | Length mm |
|-------------|-----------|
| 74059 L R | 585 |
| 74071 L R | 710 |
| 74084 L R | 835 |
| 74096 L R | 960 |
| 74109 L R | 1085 |
| 74121 L R | 1210 |
| 74134 L R | 1335 |
| 74146 L R | 1460 |
| 74600 L R | <6000 |

Select L or R when ordering

MAIN FUNCTIONS



Drop Seal / Door Seal / Door Opener

Planet FT

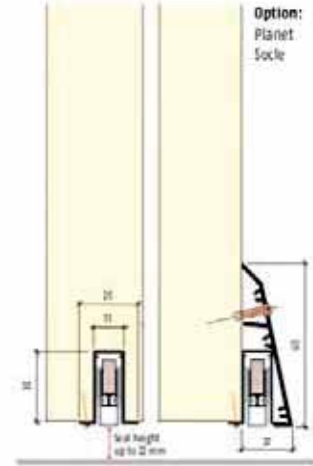


Profile dimension 13 x 30 + 22

Important features

- Seal height up to **22 mm**
- Unilateral release with parallel drop down
- Does not drag on the floor
- Automatic compensation to inclined floors
- One groove width for any requirement
- Even for hinged double doors with flush bolt or driving bar
- With optimal sealing, sound reduction of up to **48 dB**
- High-grade silicone lip, simple lift height adjustment
- Can be shortened to the next stock lengths

| VERSIONS | | | |
|-----------------|-----------|----------------------|-----------|
| FT → RD 48 dB | | FT → FH + RD 48 dB | |
| Prod. code | Length mm | Prod. code | Length mm |
| 70035 | 350 | 71035 | 350 |
| 70045 | 450 | 71045 | 450 |
| 70055 | 550 | 71055 | 550 |
| 70065 | 650 | 71065 | 650 |
| 70075 | 750 | 71075 | 750 |
| 70085 | 850 | 71085 | 850 |
| 70095 | 950 | 71095 | 950 |
| 70105 | 1050 | 71105 | 1050 |
| 70115 | 1150 | 71115 | 1150 |
| 70125 | 1250 | 71125 | 1250 |
| 70135 | 1350 | 71135 | 1350 |
| 70145 | 1450 | 71145 | 1450 |
| 70600 | <6000 | 71600 | <6000 |



Option

Mounting with Planet Sockle

Planet FT

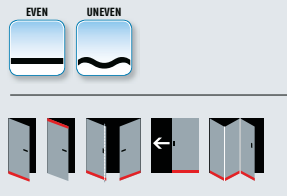
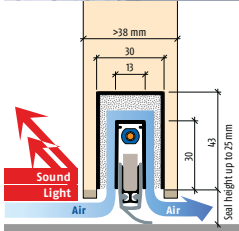


Groove size 13,1 x 30,5 mm



PLANET MinE

Sound reduction: 27 dB
Length: 220 – 2000 mm
Options: Standard / fire-retardant / sliding doors
Material: Aluminium, silicone



OPTIONS

| MinE-S → 27 dB | | MinE-S → FH 27 dB | |
|----------------|-----------|---------------------|-----------|
| Art. No. | Length mm | Art. No. | Length mm |
| 40034 L/R | 335 | 41034 L/R | 335 |
| 40046 L/R | 460 | 41046 L/R | 460 |
| 40059 L/R | 585 | 41059 L/R | 585 |
| 40071 L/R | 710 | 41071 L/R | 710 |
| 40084 L/R | 835 | 41084 L/R | 835 |
| 40096 L/R | 960 | 41096 L/R | 960 |
| 40109 L/R | 1085 | 41109 L/R | 1085 |
| 40121 L/R | 1210 | 41121 L/R | 1210 |
| 40134 L/R | 1335 | 41134 L/R | 1335 |
| 40146 L/R | 1460 | 41146 L/R | 1460 |
| 40200 L/R | <2000 | 41200 L/R | <2000 |

Select L or R when ordering

MAIN FUNCTIONS

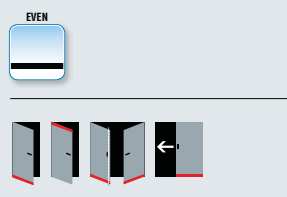
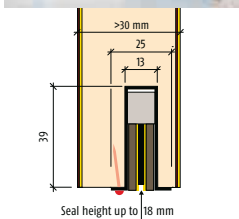


Indent Item



PLANET BL

Lead insert: 0,5 – 4,0 mm
Length: 220 – 6000 mm
Options: Hinged / sliding doors
Material: Aluminium, lead, felt



OPTIONS

| BL → for radiation protection doors | | | |
|-------------------------------------|-----------|--------------------|--|
| Art. No. | Length mm | | |
| 26005 | <6000 | Lead insert 0,5 mm | |
| 26010 | <6000 | Lead insert 1,0 mm | |
| 26015 | <6000 | Lead insert 1,5 mm | |
| 26020 | <6000 | Lead insert 2,0 mm | |
| 26030 | <6000 | Lead insert 3,0 mm | |
| 26040 | <6000 | Lead insert 4,0 mm | |

MAIN FUNCTIONS

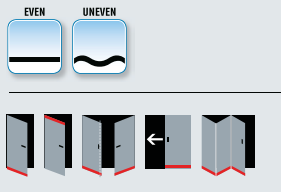
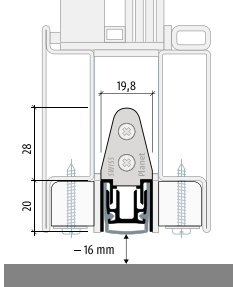


A slim fit drop seal for metal doors



PLANET MF

Sound reduction: 50 dB
Length: 220 – 6000 mm
Options: Standard / fire-retardant / sliding doors
Material: Aluminium, silicone



OPTIONS

| MF → RD 50 dB | | MF → FH + RD 50 dB | |
|-----------------|-----------|----------------------|-----------|
| Art. No. | Length mm | Art. No. | Length mm |
| 50034 | 335 | 51034 | 335 |
| 50046 | 460 | 51046 | 460 |
| 50059 | 585 | 51059 | 585 |
| 50071 | 710 | 51071 | 710 |
| 50084 | 835 | 51084 | 835 |
| 50096 | 960 | 51096 | 960 |
| 50109 | 1085 | 51109 | 1085 |
| 50121 | 1210 | 51121 | 1210 |
| 50134 | 1335 | 51134 | 1335 |
| 50146 | 1460 | 51146 | 1460 |
| 50159 | 1585 | 51159 | 1585 |
| 50600 | <6000 | 51600 | <6000 |

MAIN FUNCTIONS

SOUND-PROOF

LIGHT PROTECTION

AIR CIRCULATION

BUGS

VENTILATION SYSTEMS

ENERGY EFFICIENCY

Special areas drop seal solution



Profile dimension 8 x 30 ↓ 20

Planet US

Important features

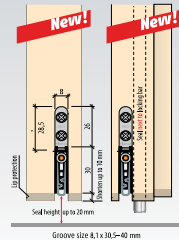
- Seal height up to ↓ 20 mm
- Silicone lip protected by deeper rebate
- Door adjustable at bottom without removal
- Unilateral release with parallel drop down
- Blocks out sound and light
- Does not trail on the floor
- With optimal sealing, sound reduction of up to 45 dB
- Automatic compensation to inclined floors
- High-grade silicone lip, simple lift height adjustment
- Can be shortened to the next stock lengths
- Seal easily removed by detaching end brackets

Option

- for uneven floors

OPTIONS

| US → RD 45 dB | | US → FH + RD 45 dB | |
|-----------------|-----------|----------------------|-----------|
| Art. No. | Length mm | Art. No. | Length mm |
| 23059 | 585 | 24059 | 585 |
| 23071 | 710 | 24071 | 710 |
| 23084 | 835 | 24084 | 835 |
| 23096 | 960 | 24096 | 960 |
| 23109 | 1085 | 24109 | 1085 |
| 23121 | 1210 | 24121 | 1210 |
| 23134 | 1335 | 24134 | 1335 |
| 23146 | 1460 | 24146 | 1460 |
| 23159 | 1585 | 24159 | 1585 |
| 23600 | <6000 | 24600 | <6000 |



MAIN FUNCTIONS

SOUND-PROOF

DUST PROTECTION

SMOKE-PROOF

BUGS

FIRE RESISTANT

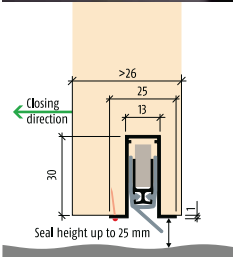
ENERGY EFFICIENCY

LIGHT PROTECTION



PLANET RF

Sound reduction: 42 dB
Length: 335 – 6000 mm
Options: Standard / fire-retardant / sliding doors
Material: Aluminium, silicone



Order information:
DIN R (left handed)

Order information:
DIN L (right handed)

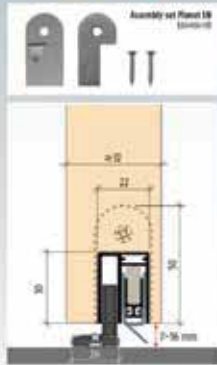
OPTIONS

| RF → RD 42 dB | | RF → FH + RD 42 dB | |
|-----------------|-----------|----------------------|-----------|
| Art. No. | Length mm | Art. No. | Length mm |
| 86035 L R | 350 | 84035 L R | 350 |
| 86045 L R | 450 | 84045 L R | 450 |
| 86055 L R | 550 | 84055 L R | 550 |
| 86065 L R | 650 | 84065 L R | 650 |
| 86075 L R | 750 | 84075 L R | 750 |
| 86085 L R | 850 | 84085 L R | 850 |
| 86095 L R | 950 | 84095 L R | 950 |
| 86105 L R | 1050 | 84105 L R | 1050 |
| 86115 L R | 1150 | 84115 L R | 1150 |
| 86125 L R | 1250 | 84125 L R | 1250 |
| 86135 L R | 1350 | 84135 L R | 1350 |
| 86145 L R | 1450 | 84145 L R | 1450 |
| 86600 L R | <6000 | 84600 L R | <6000 |

Drop Seal / Door Seal / Door Opener

Planet SN

→ 22 x 30 mm | ↓ 7 x 16 mm | ← 44 dB

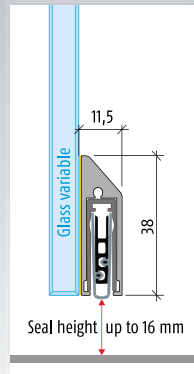
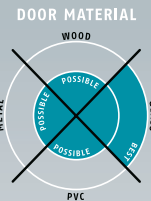


Technical specifications

| | |
|---------------------------|---|
| Profile material | aluminum, → 22 x 30 mm |
| Groove size | 22,1 mm wide and 30,5 to 35 mm deep |
| Seal profile | high-grade silicone |
| Seal height / lift height | ↓ 7-16 mm |
| Floor guides | Kit incl. 3 pieces for door gap 7-10 / 10-13 / 13-16 mm |
| Sound absorption value | up to ← 44 dB with 7 mm gap |
| Lengths in stock | 755, 800, 1005, 1130, 1255, 1380, 1505, 1630 mm |
| Special lengths | up to 6000 mm on request |
| Release | integrated in the floor guide → invisible |
| Can be shortened | 125 mm |
| Mounting | literally with stainless steel angle bracket and screws |
| Test certificates | on request |

Planet KG-S narrow

→ 11,5 x 38 mm | ↓ 16 mm | ← 48 dB

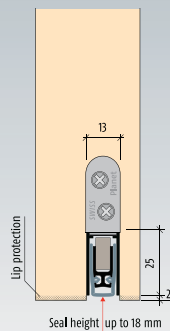
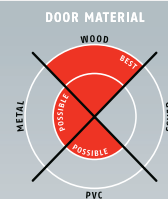


Technical specifications

| | |
|------------------------|--|
| Profile material | Aluminum, → 11,5 x 38 mm, colorless EVI or similar Niro mat anodized |
| Seal profile | high-grade silicone or high-grade self-extinguishing silicone |
| Seal height | up to ↓ 16 mm |
| Sound absorption value | up to ← 48 dB at 7 mm space to the floor; up to ← 47 dB at 14 mm space to the floor |
| Lift height adjustment | on the release knob with an Allen key 3 mm |
| Lengths in stock | 459, 584, 709, 834, 959, 1084, 1209, 1334, 1459 mm |
| Special lengths | on request up to 6000 mm, sliding doors up to 1600 mm |
| Release | unilaterally on hinge side |
| Can be shortened | up to the maximum of 125 mm |
| Fastening | to be glued |
| Frame protector plate | Stainless, hammer fixed, 20 x 20 mm |
| Test approvals | on request |

Planet KT

→ 13 x 25 mm | ↓ 18 mm | ← 48 dB



Technical specifications

| | |
|------------------------|--|
| Profile material | Aluminum, → 13 x 25 mm |
| Groove size | width 13,1 mm with depth 25,5 up to 35 mm |
| Seal profile | high-grade silicone or high-grade self-extinguishing silicone |
| Seal height | up to ↓ 18 mm |
| Sound absorption value | up to ← 48 dB at 7 mm space to the floor; up to ← 44 dB at 14 mm space to the floor |
| Lift height adjustment | on the release knob with an Allen key 3 mm |
| Lengths in stock | 335, 460, 585, 710, 835, 960, 1085, 1210, 1335, 1460 mm |
| Special lengths | on request up to 6000 mm |
| Release | unilaterally on hinge side |
| Can be shortened | up to the maximum of 125 mm (335 mm only 115 mm) |
| Fastening | on the side with stainless steel angle brackets and screws |
| Frame protector plate | Stainless, hammer fixed, 20 x 20 mm |
| Test approvals | on request |

Planet TR 125 double shortening $\varnothing 5 \times 13 \text{ mm}$

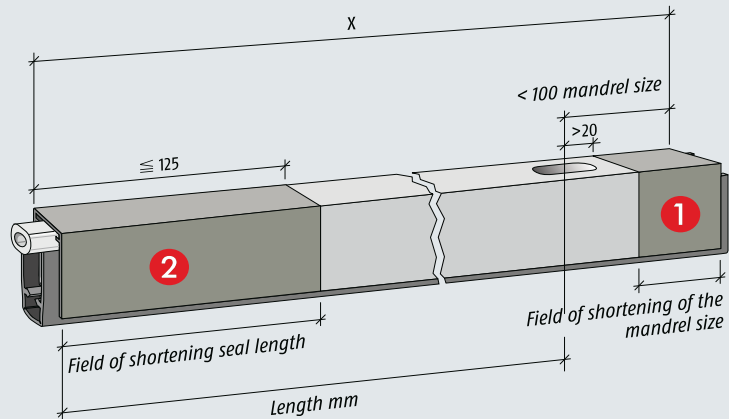
Order information:

Planet TR 125 double shortening

- Part Nr 900390
- Planet type: Part Nr
- Planet length
- Mandrel size 20–100 mm
- Drilling 5 x 13 mm

Correct shortening order

- ① → first shorten the mandrel size
- ② → then shorten the seal length



| Planet type | Smoke-proof (RD) | Fire resistant and smokeproof (RD+FH) | length mm | mandrel size mm | X mm | drilling type |
|-------------|------------------|---------------------------------------|------------|-----------------|------|---------------|
| HS | ● | ● | 335 – 1460 | 20 – 100 | | 5 x 13 mm |
| RH | ● | ● | 335 – 1460 | 20 – 100 | | 5 x 13 mm |
| RF | ● | ● | 350 – 1350 | 20 – 100 | | 5 x 13 mm |
| MF | ● | ● | 460 – 1585 | 20 – 100 | | 5 x 13 mm |

Example:

| | | | | | | |
|----|--|---------|--------|--------|---------|-----------|
| HS | | ● FH+RD | 960 mm | +45 mm | 1005 mm | 5 x 13 mm |
|----|--|---------|--------|--------|---------|-----------|

Art. Nr. 900390 + 77096 / D45 / 5 x 13 mm

Planet KR Flush bolt and driving bar rods

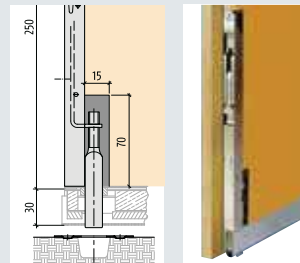
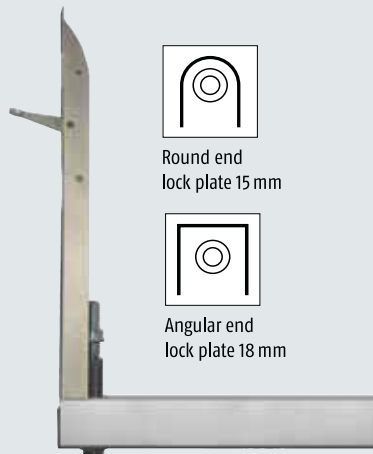


Important features

- continuous drop-down seal Planet
- sound protection
- appropriate for Planet profile dimension 13
- with integrated plastic guide
- execution for DIN L and DIN R
- Planet drop-down seal prepared to fix dimension
- adjustable locking bolt

Manufacturing

- length x width x depth: 250 x 15 x 15 mm
- surface: brushed, matt nickel-plated



KR FLUSH BOLD

KR Round lock plate

Art. No.

4010 (on the bottom)

4011 (on the top)

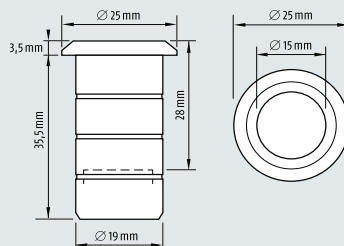
KR Angular lock plate

Art. No.

4020 (on the bottom)

4021 (on the top)

Planet BM-R $\varnothing 15 \text{ mm}$



OPTIONS

Planet BM-R $\varnothing 15 \text{ mm}$

| Typ | Art. No. |
|---------------------------|----------|
| Stainless steel, polished | 900608 |
| Brass, satin finish | 900608-M |

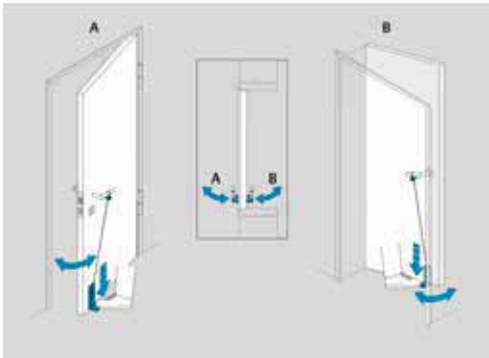
Drop Seal / Door Seal / Door Opener



N-1011

The advantages at a glance:

- Open door hands-free hygienic and practical in one
- Can be retrofitted practically anywhere
- Quick and easy installation: anyone can install it
- Ready to use in 5 minutes
- No Damage to the door (no drilling)
- Can be removed again without a trace
- Swiss quality



Technical data

| | |
|--------------------|--|
| Material | - Stainless steel |
| Size | - Width: 60 mm / Height: 165 mm / Depth: 65 mm |
| Tensile force/door | - 27 N |
| Mounting | - On the door leaf with double-sided adhesive tape |
| Set | - Containing 2 units foot door opener, complete, cleaning cloth, tool set, adhesive tape, label, installation instructions |
| Item number | - N-1011 |
| Accessories | - No accessories required |
| Installation time | - Less than 5 minutes |



Open Doors Hands Free, Prevent The Spread of Viruses And Bacteria...



MI-FH-619

SUS304 Stainless Steel Step & Pull Door Opener
Satin Stainless Steel

Self-adhesive Seals



Type: D-profile
Specification: 9mm x 6mm
Color: Grey Brown White Black
Packing: 6m/box



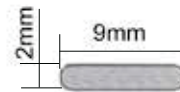
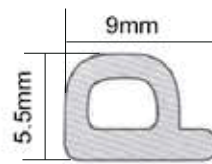
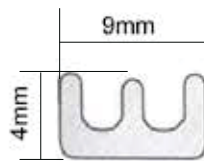
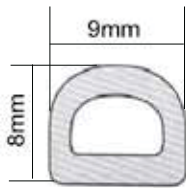
Type: E-profile
Specification: 9mm x 4mm
Color: Grey Brown White Black
Packing: 6m/box



Type: P-profile
Specification: 9mm x 5.5mm
Color: Grey Brown White Black
Packing: 6m/box



Type: I-profile
Specification: 9mm x 2mm
Color: Grey Brown White Black
Packing: 6m/box



MI-049
Door Parameter Seal
D-profile 9mm x 8mm x 6 meter
Color: Grey & Brown

MI-048
Door Parameter Seal
E-profile 9mm x 4mm
Color: Grey & Brown

MI-050
Door Parameter Seal
P-profile 9mm x 5.5mm
Color: Grey & Brown

MI-047
Door Parameter Seal
I-profile 9mm x 2mm
Color: White

Installation Method:



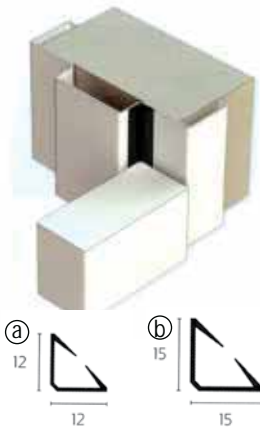
Keep the surface dry and clean



Measure the seals as the same length of the door and window frame

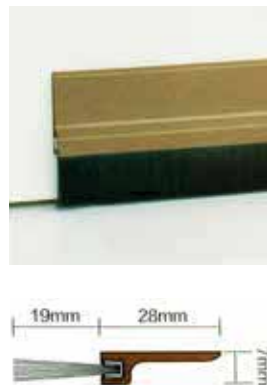


Stick around the door and window frame

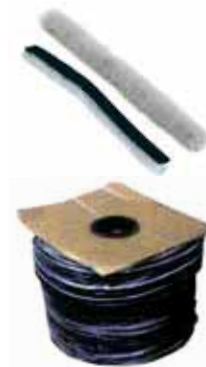


(a) IS1212
12 x 12 x 2400mm
Perimeter Seal
Black
Door Clearance: 2-3mm

(b) IS1515
12x12x2400mm
Perimeter Seal
Black
Door Clearance: 2-3mm



MI-1003
Door Brush Seal
1000mm



MI-051
Mohair Strip
7mm x 8mm x 200 meters

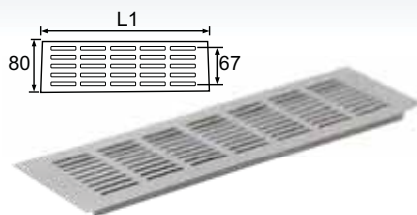


MI-1005
Door Rubber Seal
1000mm

Ventilators / Bumper / Shoe Racks / Dehumidifier / Miscellaneous



B-35x8 / B-53x8
Ventilator Cap
Diameter 35mm / 53mm



WH-01
L1: 150, 250, 300, 350, 400, 450, 500, 600mm
Aluminium Ventilator



WH-02
L: 150mm, 300mm, 450mm, 600mm
Aluminium Ventilator



ø80mm
Stainless Steel
Ventilator

Made in USA

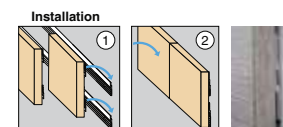


ø60mm & ø80mm
Stainless Steel
Ventilator

Made in USA



150 / 200mm
Stainless Steel
Ventilator



LAMP-AUH
900mm, 2700mm
Panel Hanger
Aluminium



MI-086 / MI-087
Door Bumper
ø12.7mm / ø7.9mm



BS-30
Door Bumper
Colour: Clear or Black
Dia. 30mm



MI-518
Soft Closing Buffer
(Constant effect due to
thermostatic oil)



SR-04
Shoe Rack
(3 Layer)

MI-TK168

Hidden Folding Support for Shoes Cabinet
(Soft Closing)

Features:

1. The device was fixed into the side board of the shoes cabinet, the ladder style cabinet and the book cabinet. By doing this, it can realize a right angle between saddling plate and support plate, forming a hidden folding stool. It is of convenience and space saving.
2. There are slow rise and slow decline functions. It is of humanization design.



Material: steel
Surface: black / silver

MI-A370H Dehumidifier Rod

With Mesh cover size: 70(L) x 3.5(w) x 3.5(W)cm
Power consumption: 24W / 220V

VARIOUS LENGTHS
- For drying requirements of different volumetric areas

QUALITY HEATING ELEMENT
- Durable lifetime quality

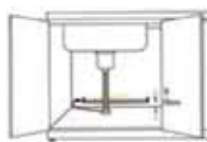
PROTECTIVE END-CAPS
- Cool-to-the-touch and effectively seals in heating element



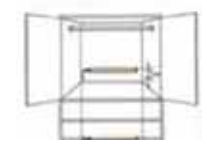
HIGH-GRADE POWER CABLE
- 1.7m long cable to permit complex routing connection between dehumidifier rod & power source (flexible/cable services available if needed under separate charge)

REFINED BODY FINISHING
- Designed for lifetime use. Simple sturdy construction will not snag surroundings

PROTECTIVE MESH GUARD
- Protects against direct contact with inner heating element for delicate materials and/or fabrics



• Prevents moldy and smelly undersink cabinet.



• Eliminates humidity, Mildew and condensation



Autocut off protection when A370-H reach overheating

| Size | 12" (30.5cm) | 18" (45.7cm) | 24" (61cm) | 27.5" (70cm) |
|-------|-------------------|-------------------|-----------------|-------------------|
| Power | 9W | 15W | 22W | 38W |
| Space | 0.7m ³ | 0.7m ³ | 1m ³ | 1.1m ³ |

Index

| | | | | | | | |
|--|-----------|--|-----------|---|-----------|---|-----------|
| Bracket / Hasps / Latches | Pg | LAMP HK-CH35 | 86 | Door Stopper | Pg | Lightings (LED) | Pg |
| EB-303/EP | 73 | MI-002 | 86 | MI-301 BSN | 110 | 7002 | 94 |
| SB-102 | 73 | MZ-079 | 86 | MI-801 | 110 | 7003 | 94 |
| ST-645 | 73 | MZ-078 | 86 | MI-305 BSN | 110 | IP67-70 | 94 |
| MI-TK190 | 73 | L001 | 87 | MI-1102 | 110 | LED Driver (9905) | 94 |
| MI-L305 | 73 | FG-2, 4, 6, 12 | 87 | MI-555 | 110 | LED Driver (9915) | 94 |
| MZ-SA 006 | 73 | ST-6129 | 87 | MI-550 | 110 | LED Driver (9936) | 94 |
| MI-300 | 73 | AN-5010 | 87 | F01-014 | 110 | 2301- Cabinet Lamp | 95 |
| Stainless Steel Hasp | 73 | W-12SS | 87 | a) MI-5025 | 110 | T5-LED | 95 |
| STA-321 | 73 | MI-501 | 87 | b) MI-848 | 110 | 2304 - Ultra thin cabinet lamp | 95 |
| MI-404 | 73 | DG-011 | 87 | LDL-301 | 110 | 3301 / 3302 | 95 |
| MI-7050 | 73 | MI-001 | 87 | DS-039 | 110 | 2307- Cabinet Lamp | 96 |
| 4400P | 73 | DSP-001 | 87 | F05-003 | 110 | 2308 - Cabinet Lamp | 96 |
| ST-100 | 73 | DB-004 | 87 | DS-012 | 110 | 2309- Cabinet Lamp | 96 |
| a) J105 b) J106 | 73 | MI-031 | 87 | MI-015 | 111 | 2310 - Cabinet Lamp | 96 |
| LAMP ML-ZN80 | 73 | MI-229 | 87 | MI-019 | 111 | Cabinet Light with Handle | 97 |
| Bed & Wardrobe Systems | Pg | Q3A | 87 | LAMP MI, MBR | 111 | CR602 - Wardrobe lamp | 97 |
| MI-TK-689 | 88 | Catches | Pg | LAMP DJ-175 | 111 | 2306 - Embed style cabinet lamp | 97 |
| MI-TK589 | 88 | LAMP MC-159 | 74 | a) DS-21 b) DS-52 | 111 | 4602 - Drawer lamp | 97 |
| MI-TK560 | 89 | LAMP YN-001P | 74 | F03-020 | 111 | 2305 - Inner Cabinet Shelving Lamp | 98 |
| MI-TK669 | 89 | LAMP MC-0099 | 74 | DS-048 | 111 | 5605 - Inner Cabinet Shelving Lamp | 98 |
| MI-TK1601024 | 90 | LAMP ML-120 | 74 | DS-043 | 111 | 6303 - Inner Cabinet Shelving Lamp | 98 |
| MI-TK1601024 | 90 | MI-277/MI-278 | 74 | DS-12 | 111 | 6406 - Inner Cabinet Shelving Lamp | 98 |
| MI-1604 | 90 | M-611 (single) | 74 | MI-988 | 111 | Ultra Narrow Side Lamp | 99 |
| MI-174.026 | 90 | M-612 (double) | 74 | F03-040 | 111 | Embedded Light Bar | 99 |
| LIFT 700-700A | 90 | BC001 BR | 74 | Drop Seal /Door Seal / Door Opener | Pg | Side Panel Lamp | 99 |
| SUPER LIFT-ISIA | 90 | MI-032 | 74 | PLANET HS | 112 | Action Sensing Switch | 99 |
| LAMP TAW1200 (Double Type) | 90 | JF-11 | 74 | PLANET KG-S | 112 | People Induction Switch | 99 |
| WS-002 | 90 | LAMP MC-37 | 74 | PLANET SL | 112 | MI- 4312 | 99 |
| a) TH-120 Oval Center Bracket | 90 | LAMP MLC-130 | 74 | PLANET FT | 113 | TC6424-17 | 99 |
| b) TH-119 Oval End Bracket | 90 | Italiana K Push Long Throw Push Catch | 74 | PLANET MinE | 113 | MI-2835 | 99 |
| a) WR-004A Aluminium Oval Pipe | 90 | SRC-009 | 74 | PLANET BL | 113 | Glass Clamp & Accessories | Pg |
| c) WR-004S Steel Chrome | 90 | ST-6110 | 74 | PLANET MF | 114 | ST-1411 | 70 |
| a) MZ-203/ Dia 25 x 3000mm | 90 | K-460 | 74 | PLANET US | 114 | M-001 | 70 |
| b) MI-3625 | 90 | SRC-002 | 74 | PLANET RF | 114 | M-003 | 70 |
| CodICE 000V071-15 / 3 metres | 91 | Door Closers | Pg | PLANET SN | 115 | K612 | 70 |
| MI-1508 | 91 | LAMP LDD-S | 84 | PLANET KG-S narrow | 115 | MI-5012 | 70 |
| MI-1504 | 91 | LAPCON DOOR DAMPER | 84 | PLANET KT | 115 | MI-5024 | 70 |
| ZY-0760L | 91 | LAMP LDD-V | 84 | PLANET TR 125 double shortening Ø5 x 13 mm | 116 | a) ST-105H b) ST-105P | 70 |
| ZY-0780L | 91 | CONCEALED DOOR DAMPER | 84 | PLANET KR Flush Bolt and driving bar rods | 116 | SS-107 | 70 |
| ZY-0790L | 91 | LAMP LDD-V100 HEAVY DUTY DOOR DAMPER | 84 | PLANET BM-R Ø 15mm | 116 | 6090 | 70 |
| HZ040 | 91 | ST-C115 | 84 | N-1011 | 117 | Italiana K LINE Glass Shelf Support | 70 |
| MI-177.020 | 91 | MI-701 / 701D / MI-713 | 84 | MI-FH-619 | 117 | Italiana Kalabrone Maxi Glass Adjustable Shelf Support | 70 |
| MI-177.021 | 91 | MI-6303G | 84 | MI-049 | 118 | Italiana KUBIC Adjustable Glass Shelf Support | 70 |
| MI-JJ9 | 91 | DT-30 | 84 | MI-048 | 118 | Floor Spring & Patch Fittings | Pg |
| Bolt / Hooks | Pg | MI-081 | 84 | MI-050 | 118 | ST-1691 | 71 |
| LAMP SSF-10-SW VANITY HOOK WITH SWAROVSKI CRYSTAL | 86 | GEZE TS 500NV | 85 | MI-047 | 118 | ST-1692 | 71 |
| LAMP NF-60F | 86 | GEZE Boxer | 85 | a) IS1212 b) IS1515 | 118 | (a)- M-56 (b) A84-2 | 71 |
| PXB-GN05-111 | 86 | GEZE TS 550NV | 85 | MI-1003 | 118 | MI-542E | 71 |
| PXB-GR05-111 | 86 | GEZETS 3000 V | 85 | MI-051 | 118 | 1542-01 | 71 |
| | | GEZE TS 2000V | 85 | MI-1005 | 118 | GEZE TS137B | 71 |

Index

| | | | | | | | |
|-------------------------|-----------|--------------------|----|-----------------------------|-----------|---|-----------|
| MI-D100-1 | 71 | C504-2 AEB C264-96 | 38 | Handle Architectural | Pg | MI-970-3D | 22 |
| DT-2300 | 71 | C802 AE W01 | 38 | DH45-84mm (Handle Series) | 43 | HF-270 | 22 |
| DT-7010 | 71 | C051 W44 | 38 | MI-013 | 43 | HF-015 | 22 |
| DT-7011 | 71 | C051 W01 | 38 | MI-958 | 43 | CH-01A | 22 |
| DT-7012 | 71 | C054-24EB W211 | 38 | ST-80, ST-100 | 43 | MI-3810 | 22 |
| DT-7013 | 71 | ST-1179 | 39 | D03-040 | 43 | LAMP PV-30 | 22 |
| MI-502A | 71 | FH-135 | 39 | D03-025 | 43 | K 6100 CS | 22 |
| Handle Furniture | Pg | MI-609 | 39 | LAMP HH-P135/SN | 43 | DH-003 | 22 |
| BM-03027 | 35 | LAMP FH-100BK | 39 | MI-106H, MI-106 | 43 | Italiana Kimana | 22 |
| BM-03850 | 35 | ST-1125 | 39 | Z-710 | 43 | Brass Cylindrical Hinge | 22 |
| BM-03085 | 35 | MI-505 | 39 | DH-8 | 43 | Concealed Stainless Steel | 22 |
| BM-03093 | 35 | MI-SA005 | 39 | ST-1722 | 43 | A03-004 | 22 |
| BM-03002 | 35 | ST-5049 | 39 | K01-006 | 43 | FGV 51.0AS1.03.KTOX.000 | 23 |
| BM-06213.07500 | 35 | ST-709 S,L | 39 | G0-165 | 44 | LAMP Heavy duty concealed hinge, J-95 | 24 |
| BM-09204.04500 | 35 | MI-718 | 39 | MI-085 SUS 304 | 44 | LAMP DC-200 Door Damper | 24 |
| BM-06214.08000 | 35 | ST-5048 | 39 | MI-085 SUS 304 | 44 | LAMP J160 Heavy Duty Soft Close Hinge | 24 |
| BM-24410 | 35 | 2341 | 39 | MI-SA-257 | 44 | LAMP J95-Heavy Duty Concealed Hinge (for glass doors) | 25 |
| BM-24401 | 35 | F255L | 40 | PH285 | 44 | MonoFlat LIN-X Hinge | 25 |
| BM-24216 | 35 | F182 | 40 | MI-034 | 44 | LIN-X800 Lamp Lateral Pullout | 25 |
| BM-24405 | 35 | AN-1133 S,L | 40 | MZ-SA-1163 | 44 | LAMP H360 Olympia Soft Closing Hinge | 26 |
| BM-21391 | 36 | AN-5056 | 40 | MI-SA-1118 | 44 | LAMP 100-46/19 SUS 304B | 26 |
| BM-21392 | 36 | MI-330 | 40 | MZ-SA-1528 | 44 | LAMP SDH-G | 26 |
| BM-21399 | 36 | F1074 | 40 | MI-SA-1261 | 45 | LAMP SDH-P | 26 |
| BM-09238 | 36 | F 6035 A | 40 | MI-DH-066 | 45 | LAMP Soft Closing Damper Hinge | 27 |
| BM-37725 | 36 | F798 | 40 | a) DS-12 b) DS-12H | 45 | LAMP HG-JHM11 Soft Closing Damper Hinge | 27 |
| BM-15109 | 36 | F1132 | 40 | MI-SA-1663 | 45 | LAMP Surface Mounted Damper Hinge HG-JHM20T | 27 |
| BM-24850 | 36 | MI-V1212 | 40 | MI-SA-GK06 | 45 | Hinges Furniture | Pg |
| BM-24479 | 36 | MI-919 | 40 | MI-109 | 20 | MI-01-030 | 28 |
| BM-06221 | 36 | MI-2247 | 40 | MI-119 | 20 | A01-004 | 28 |
| BM-12235 | 36 | ZN-1013 | 41 | SSH-004 | 20 | MI-016 | 28 |
| BM-12210 | 36 | ST-1119 | 41 | SHG2-09/SPG - 09 | 20 | A01-004 | 28 |
| BM-151282.09 | 37 | AN-6025 | 41 | SPO2-09 | 20 | a) ST-C168, ST-C188 | 28 |
| BM-24130Z030000.09 | 37 | MI-5191H | 41 | a) EH-001, b) EH-001S | 20 | DAS-001 | 28 |
| AN-2143 | 37 | F5191-10 | 41 | MI-238 | 20 | A01-014 | 28 |
| F3263 AEB | 37 | F263 | 41 | CD-09/0mm (Full overlay) | 20 | A01-028 | 28 |
| AN-2120 | 37 | ST-5710 | 41 | CD-08/18mm (Half overlay) | 20 | MI-316 | 28 |
| F3268 AE | 37 | ST-5714 | 41 | CD-07/15mm (Insert) | 20 | ST-C122 | 28 |
| AN-2123 | 37 | DB-98 | 41 | CM-09 | 20 | a) C-117 b) C-117-B | 28 |
| F363-96 | 37 | ST-1667 | 41 | SH-002 | 20 | ST-C121 | 28 |
| AN-2115 | 37 | FH-117 | 41 | a)SH-003, b) SSH-003 | 21 | Hydraulic Auto Spring Hinge | 29 |
| F3246L AEB | 37 | ST-1114 | 41 | SH-005 | 21 | FSG-50 Glass Door Hydraulic Auto Hinge | 29 |
| F317 AE | 37 | F283 | 42 | C-119 | 21 | LAMP PH-01 (2 Way Adjustable Pivot Hinge) | 29 |
| F337 AE | 37 | F220 | 42 | SY-09 | 21 | LAMP HES3D-120 | 30 |
| F3220 AEC | 37 | F220 | 42 | SH-001 | 21 | LAMP HES3D-E190 | 30 |
| F2828 AEF | 37 | F205A | 42 | SH-004 | 21 | K2000 | 31 |
| F303 AE | 38 | F218 | 42 | FGV 51MS15050005033 | 21 | K7200 | 31 |
| F409 AE | 38 | F 215 | 42 | FGV 51MS150508050A2 | 21 | ST-C118 | 32 |
| F322 AE | 38 | F 226 | 42 | FGV 51MS15051515033 | 21 | MI-335 | 32 |
| F446 AE | 38 | PK-04 | 42 | FGV 51MW150500050A2 | 21 | TE 340 3D | 32 |
| F366 | 38 | MI-V102 | 42 | FGV 51AS25050005032 | 21 | TE 540 3D | 32 |
| C504-2AE C264 | 38 | HA56196+56123 | 42 | FGV 51ASH500T5034 | 21 | | |
| C506 AE W01 | 38 | MI-054 | 42 | FGV 51AS45050005032 | 21 | | |
| | | MI-TK 299 | 42 | FGV 51. MN57. R5. 00000 | 21 | | |

Index

| | | | | | |
|---|-----|-----------|--|--|--|
| TE 540 3D | 32 | | | | |
| TE 310 2D | 32 | | | | |
| HERCULE™ INVISIBLE DOOR-CLOSER For Metal Gate | 32 | | | | |
| Hinges Glass | | Pg | | | |
| MI-1101 | 33 | | | | |
| MI-1103 | 33 | | | | |
| MI-1104 | 33 | | | | |
| MI-1105 | 33 | | | | |
| MI-2101 | 33 | | | | |
| MI-2104 | 33 | | | | |
| B0076 | 33 | | | | |
| B0074 | 33 | | | | |
| B0075 | 33 | | | | |
| (a) MI-049/ (b)MI-059 | 33 | | | | |
| CM-861 | 33 | | | | |
| AM 3010 | 33 | | | | |
| LAMP GS-GH20 | 34 | | | | |
| LAMP Glass Showcase Hardware | 34 | | | | |
| XL-GC01 CR | 34 | | | | |
| XL-GC02 CR | 34 | | | | |
| XL-GC04 CR | 34 | | | | |
| XL-GC05 CR | 34 | | | | |
| XL-GC09 CR | 34 | | | | |
| LAMP GH-34/8 | 34 | | | | |
| 334GG8IN / 336GG8IN | 34 | | | | |
| 334HG8IN / 336HG8IN | 34 | | | | |
| Kitchen Accessories | | Pg | | | |
| Italiana LIBRA H1 | 102 | | | | |
| Italiana LIBRA H6 | 102 | | | | |
| Under Sink Base | 102 | | | | |
| AF-0142 | 102 | | | | |
| MI-805 Plate Holder | 102 | | | | |
| PTJ-0181 / PTJ-0181 (2) | 102 | | | | |
| CLG-025A-24L | 102 | | | | |
| SLG-003-SL | 102 | | | | |
| EO103-14L | 102 | | | | |
| MI-650A | 103 | | | | |
| MI-650B | 103 | | | | |
| MI-650D | 103 | | | | |
| MI-650E | 103 | | | | |
| CZJ-440 A - 500mm | 104 | | | | |
| CZJ-770C - 750mm | 104 | | | | |
| CZJ-770 - 850mm | 104 | | | | |
| CZJ-770G- 850mm | 104 | | | | |
| PTJ-043-350mm | 104 | | | | |
| MO202L/MO202R | 104 | | | | |
| PTJ-017 GA/GB | 104 | | | | |
| PTJ-0091-150mm | 104 | | | | |
| CWJ241B | 104 | | | | |
| a) CWJ-214 | 104 | | | | |
| b) CWJ-212K | 104 | | | | |
| c) HS-3 | 104 | | | | |
| BJ001 | 104 | | | | |
| Lock Architectural | | Pg | | | |
| ST-4013 (Hollow) | 2 | | | | |
| SP-4005 (Hollow) | 2 | | | | |
| ST-4008 (Hollow) | 2 | | | | |
| ST-4007 (Hollow) | 2 | | | | |
| ST-4023 (Hollow) | 2 | | | | |
| ST-4001 (Hollow) | 2 | | | | |
| ST-4005 (Hollow) | 2 | | | | |
| ST-4003 (Hollow) | 2 | | | | |
| ST-4004 (Hollow) | 2 | | | | |
| ST-4006 (Hollow) | 3 | | | | |
| SS4125 (Hollow) | 3 | | | | |
| SS4027 (Hollow) | 3 | | | | |
| ST-4012 (Solid) | 3 | | | | |
| ST-2003 (Solid) | 3 | | | | |
| FSA002 (Hollow) | 3 | | | | |
| FSA003 (Hollow) | 3 | | | | |
| ST-2010 (Solid) | 3 | | | | |
| ST-2036 (Solid) | 3 | | | | |
| MI-2045 (Solid) | 4 | | | | |
| ST-2038 (Solid) | 4 | | | | |
| SX-2043 (Solid) | 4 | | | | |
| MI-3005 (Solid) | 4 | | | | |
| ST-2015 (Solid) | 4 | | | | |
| ST-2046 (Solid) | 4 | | | | |
| HI-H114-1 | 4 | | | | |
| MI-V119 | 4 | | | | |
| DOLCE - D015 | 5 | | | | |
| ART - AR15 | 5 | | | | |
| WING 702/12Y | 5 | | | | |
| FLUO - FL15 | 5 | | | | |
| Linear - L115 | 5 | | | | |
| HALLEY - HA15 | 5 | | | | |
| LIRICA 801/BY | 5 | | | | |
| AIRONE - 604/B | 5 | | | | |
| GRIP-852 | 5 | | | | |
| Classic 571/BY | 5 | | | | |
| FLUO-FL12 VIS | 5 | | | | |
| FLUKE - FK 14Y | 5 | | | | |
| BOOMERAANG - 185/12Y | 5 | | | | |
| Classic Due 576/BY | 5 | | | | |
| Classic 571/12Y | 5 | | | | |
| MI-V7211 | 6 | | | | |
| MI-V7229-2 | 6 | | | | |
| MI-V113 | 6 | | | | |
| MI-V114 | 6 | | | | |
| MTL Code-It - The key to indoor security | 6 | | | | |
| MI-341 CS-XL Tubular Lever Lock | 7 | | | | |
| MI-6391L Tubular Lever Lock | 7 | | | | |
| LC-202 Dead Bolt | 7 | | | | |
| E-841 CS-XL | 7 | | | | |
| MI-6011-ET | 7 | | | | |
| MI-6331-ET | 7 | | | | |
| MI-6331L-ET | 7 | | | | |
| MI-171 ET | 7 | | | | |
| MI-587 | 8 | | | | |
| MI-3871 ET-XL | 8 | | | | |
| A791-XL | 8 | | | | |
| 5303 ET, BK | 8 | | | | |
| D101 | 8 | | | | |
| MI-301A ET | 8 | | | | |
| D-104 | 8 | | | | |
| MI-L687 | 8 | | | | |
| LS-002 | 8 | | | | |
| L01.004 | 8 | | | | |
| MI-600 | 8 | | | | |
| MI-600 | 8 | | | | |
| C560B-VB-BP | 9 | | | | |
| 665E-VB-BP | 9 | | | | |
| 665C-VB-BP | 9 | | | | |
| 66RPDLVBBP (ET) | 9 | | | | |
| 515R-SS-BP / VB-BP | 9 | | | | |
| 515S-VB-BP | 9 | | | | |
| 765 LO-SC-FL | 9 | | | | |
| 765SE-SC-FL-VB | 9 | | | | |
| 765 SO-SC-FL | 9 | | | | |
| BC-40610 | 9 | | | | |
| BC-44500 | 9 | | | | |
| MI-701 | 10 | | | | |
| MI-703 | 10 | | | | |
| MI-5572 | 10 | | | | |
| MI-709 | 10 | | | | |
| AGB B00705 | 11 | | | | |
| AGB B00852 | 11 | | | | |
| W112016013210 | 11 | | | | |
| AGB B00856 | 11 | | | | |
| AGB SCUDO 600 | 11 | | | | |
| AGB SCUDO 600 | 11 | | | | |
| AGB Centro Focus | 12 | | | | |
| Easy-matic Striker for Polaris / Centro Focus | 12 | | | | |
| SUS 304 Stainless Steel Pad Lock | 12 | | | | |
| MI-808 | 12 | | | | |
| MI-2728 ET | 12 | | | | |
| MI-580 | 12 | | | | |
| MI-2718 ET | 12 | | | | |
| MI-689 ET | 12 | | | | |
| WINDOW SECURITY LOCK - Item Code 311-R | 13 | | | | |
| ST-808-15 ET, BK BSN | 13 | | | | |
| MI-2712 | 13 | | | | |
| MI-2722 | 13 | | | | |
| ST-8305 | 13 | | | | |
| E01-0207 | 13 | | | | |
| N8307 | 13 | | | | |
| HL | 13 | | | | |
| MOFIT 5085 | 13 | | | | |
| QA-60x85mm | 13 | | | | |
| QS-30x85mm | 13 | | | | |
| N8306 S/S | 13 | | | | |
| MI-03 | 14 | | | | |
| MI-02- a) Double Cylinder | 14 | | | | |
| b) Thumbturn Cylinder | 14 | | | | |
| c) Privacy Cylinder | 14 | | | | |
| a) Thumbturn Half Cylinder | 14 | | | | |
| b) Half Cylinder with KEY | 14 | | | | |
| B35-004 | 14 | | | | |
| SQ004 | 14 | | | | |
| SS-01/SS-02 | 14 | | | | |
| E02-0021 | 14 | | | | |
| DV-200 | 14 | | | | |
| 803871 | 14 | | | | |
| MI-202 | 14 | | | | |
| MI - 219B | 14 | | | | |
| MTL-7x7™ | 15 | | | | |
| MTL- Interactive© CLIQ 3 in 1 | 15 | | | | |
| MTL- Interactive© 3 in 1 | 15 | | | | |
| MTL-High Security Cam Lock | 15 | | | | |
| MTL-Perseus™ | 15 | | | | |
| MTL-G-Series PADLOCK | 15 | | | | |
| MTL-C-Series PADLOCK | 15 | | | | |
| MTL-PADLOCK ACCESSORIES | 15 | | | | |
| Lock Furniture | | Pg | | | |
| AM-203 | 16 | | | | |
| AM-202 | 16 | | | | |
| AM-406 | 16 | | | | |
| AM-201 Left / Right | 16 | | | | |
| AM-502-22 | 16 | | | | |
| AM-508-22 | 16 | | | | |
| AM-509-22 | 16 | | | | |
| AM-709-A22 | 16 | | | | |
| AM-AL-02 | 16 | | | | |
| AM-506-12 | 16 | | | | |
| AM-503-23 | 16 | | | | |
| AM-666/C | 16 | | | | |
| AM-411-11 | 16 | | | | |
| AM-411-10 | 16 | | | | |
| AM-411-2 | 16 | | | | |
| AM-668-C1 | 17 | | | | |
| a) AM-507-11 Drawer Lock | 17 | | | | |
| b) L-Striking Plated | 17 | | | | |
| AM-513 | 17 | | | | |
| AM-505-16/25/30mm | 17 | | | | |
| AM-701-22 | 17 | | | | |
| SDWS-501 | 17 | | | | |
| a) SDWS-N001 | 17 | | | | |
| b) AM-SDWC-507K | 17 | | | | |
| AM-DL-002 | 17 | | | | |
| DL-102 | 17 | | | | |
| AM-DL-202 | 17 | | | | |
| LAMP SCL-180 | 18 | | | | |
| LAMP SKL-180 | 18 | | | | |
| LAMP 3320 | 18 | | | | |
| LAMP 7810-24 | 18 | | | | |

Index

| | | | | | | | |
|-----------------------------------|-----------|---|-----------|--------------------------------------|-----------|--------------------------------------|-----------|
| MERONI 3351 | 18 | MI-TK485 Hidden Folding Table | 52 | Tudor Sliding Door Track System | 64 | LAMP NSDX- 20 (R/L) PAT (TOP | 78 |
| MERONI 3381GL | 18 | Accessories | | Cupboard Doors - 20Kg Per Door | | OPENING FLAP STAY WITH SOFT | |
| Invisible Magnetic Lock | 18 | FR7701, FR7704, FR7710 | 52 | MI-SL0912 Sliding Door System | 65 | CLOSING) | |
| | | Heavy Duty Pantry Pull Out slide | | MI-SL0902-4 Slide & Fold Door System | 65 | LAMP NSDX- 35-2S (R/L) PAT | 78 |
| Lock Glass | Pg | | | | | (UPWARD OPENING FLAP STAY | |
| AM-409 | 19 | Sliding & Folding Door Systems | Pg | Shelving Systems | Pg | WITH SOFT CLOSING) | |
| AM410-5 | 19 | System 0550.120 | 53 | SPH | 75 | LAMP HDS-20 HEAVY DUTY | 79 |
| AM-410-6 | 19 | LAMP LM-80 | 53 | SPH-5 | 75 | SOFT-DOWN STAY | |
| AM 417-1/5 | 19 | LAMP MFS/W | 54 | SPH-20 | 75 | LAMP HDS-10S - Self Close Stay | 79 |
| AM 407-1/5 | 19 | LAMP SFD | 54 | SPH-15 | 75 | LAMP OV - OVER -THE-TOP | 79 |
| AM 407-3/5 | 19 | LAMP SKD SERIES ROLLING DOOR | 54 | SPE | 75 | FLIPPER DOOR | |
| AM-410-1 | 19 | LAMP FDPN40V | 55 | SPE-FB20S | 75 | LAMP SLS-ELAN (Medium, Heavy | 79 |
| AM-410-2 | 19 | Stackable Partition Door System | | SPW-1820 | 75 | Duty) LIFT ASSIST STAY | |
| AM 408/5 | 19 | LAMP FDPN40P | 55 | SPW-EC20 | 75 | SWING LIFT-UP STAY | 80 |
| AM-417-5 | 19 | Stackable Partition Door System | | SP-18E | 75 | LAMP SLU-ELAN | |
| AM 410-7L - for left-handed door | 19 | MTK-S01 SUS 304 Stainless Steel Glass | 56 | SPW-20 | 75 | BI-FOLD LIFT ASSIST STAY | 80 |
| AM 410-7R - for right-handed door | 19 | Sliding Door System | | AP-DM | 75 | LAMP HBF-ELAN | |
| SDGP-407/417 | 19 | MTK-A01 Barn Door Sliding Door | 56 | AP-C20 | 75 | LIFT ASSIST STAY LAMP EZS-ELAN | 80 |
| | | System | | APDH | 75 | SOFT CLOSING DAMPING GAS | 81 |
| | | Flush Sliding Door System MFU1200 | 57 | AP-HB-20 | 75 | SPRING (MI-668) | |
| | | Two-Way Damper | | LAMP AP-SB350-SL | 75 | LIFTUP BOX STAY WITH SOFT | 81 |
| Office Systems | Pg | LAMP LIN-X1000 | 57 | LAMP AP-SP345-SL | 75 | CLOSING (MI-320) | |
| XT-93C | 109 | Mantion MA 40 | 58 | AP-SH-WT Hook | 75 | LIFT UP BED STAY | 81 |
| XT-93R | 109 | Mantion MA 80 | 58 | | | (1601022A, 1601022B, 1601022) | |
| XT-93DUA | 109 | Mantion SAF 120 | 58 | Stays | Pg | SOFT CLOSING DAMPING GAS | 81 |
| ZY-285 | 109 | Mantion HERCULE STARAL | 59 | SWING DOWN STAY - LAMP SLD | 76 | SPRING (MI-668) | |
| LB-13 | 109 | -For Doors UP TO 200kgs | | SLD-3 | 76 | LIFTUP BOX STAY WITH SOFT | 81 |
| DP-1002 | 109 | Mantion HERCULE Straight Sliding | 59 | SLD-4 | 76 | CLOSING (MI-320) | |
| LAMP DMFH-EA | 109 | Doors System - UP TO 400kgs | | SLD-5 | 76 | LIFT UP BED STAY | 81 |
| LAMP APK-KIT | 109 | Mantion HERCULE Straight Sliding | 59 | LAMP SLUN PAT SWING LIFT-UP | 76 | (1601022A, 1601022B, 1601022) | |
| | | Doors System - UP TO 600kgs | | SLUN-3 | 76 | LAMP COMPACT SOFT-DOWN STAY | 82 |
| | | Sliding Door Track System (68-80kg) | 60 | SLUN-4 | 76 | (CSD-10-TV) | |
| | | End Stopper | | SLUN-5 | 76 | LAMP AILERON LIFT ASSIST STAY | 82 |
| | | MI-788 Roller | | LAMP HDSN-30 PAT.P | 77 | WITH DAMPER (ARN-2-H) | |
| | | TT-331 Roller | | HEAVY-DUTY SOFT-DOWN STAY | | LIFT-ASSIST DAMPER (LAMP LAD) | 82 |
| | | Bottom Guide | | HDSN-30KL | 77 | Gas Spring | 82 |
| | | Wall Bracket | | HDSN-30ML | 77 | B288 | 82 |
| | | TT-335 | | HDSN-30HL | 77 | SFD-004-2 | 82 |
| | | Sliding Door Track System (175kg) | 60 | HDSN-30HL | 77 | ED-8309 | 82 |
| | | TT-831 | | HDSN-30SL | 77 | L-195, L-270 | 82 |
| | | P-826 | | HDSN-30KR | 77 | DCS-005B | 82 |
| | | Heavy Duty Sliding Door Track System | 61 | HDSN-30MR | 77 | AeroBus | 82 |
| | | Sliding Patio Door Track System | 61 | HDSN-30HR | 77 | | |
| | | Concealed Bi-Folding Door Track | 62 | HDSN-30SR | 77 | Switches / Sockets / Doorbell | Pg |
| | | System | | LAMP HBFN PAT.P | 77 | Battery-Free Wireless Doorbell | 92 |
| | | TT-385 | | HBFN-2S | 77 | (MI-DVB-01-05) | |
| | | MI-3810 | | HBFN-3S | 77 | MI-XP228 | 92 |
| | | Sliding Double Door Track System | 62 | HBFN-4S | 77 | MI-XP1006 (1200mm) MI-XP128 | 92 |
| | | TT-486 | | HBFN-2M | 77 | MI-XP1005 | 92 |
| | | TT-485 | | HBFN-3M | 77 | MI-XP1006 (1200mm) | 92 |
| | | Folding Door Track System | 63 | HBFN-4M | 77 | MI-XP118 | 93 |
| | | TT-370 | | HBFN-2L.1 | 77 | a) MI-XP118 | 93 |
| | | TT-371 | | HBFN-3L.1 | 77 | b) MI-XP119 | 93 |
| | | Folding Door Track System | 63 | HBFN-4L.1 | 77 | MI-XP328 | 93 |
| | | P-840 | | LAMP SDS-C100-TV | 78 | MI-XP102 | 93 |
| | | P-841 | | (SHORT ARM VERSION) | | MI-XP103 | 93 |
| | | P-842 | | LAMP NSDX- 10 (R/L) PAT.P | 78 | MI-XP104 | 93 |
| | | TT831 | | (DOWNWARD-OPENING FLAP | | MI-XP105 | 93 |
| | | Roller Bearing Sliding Door System / | 64 | WITH SOFT OPENING) | | MI-XP106 | 93 |
| | | 45Kgs Per Glass Panel | | | | MI-XP107 | 93 |

Index

| Table & Sofa Legs | | Pg | Wire Display Systems | | Pg | | |
|---|-----|-------------------------------|----------------------|-------------|-----|--|--|
| TL-004 | 72 | 4000-24 | 100 | MI-E080730 | 108 | | |
| 703C | 72 | 4000-17 | 100 | MI-E080740 | 108 | | |
| 173.062 | 72 | 4000-21 | 100 | MI-E080535 | 108 | | |
| LAMP MKRS | 72 | 4000-36 | 100 | MI-E080280 | 108 | | |
| A-888 (Adjustable Leg) | 72 | 4000-16 | 100 | MI-E080290 | 108 | | |
| LAMP SAJ-30 | 72 | 4000-19 | 100 | MI-E080960 | 108 | | |
| MK-544-F | 72 | 4000-11 Wire | 100 | MI-E080980 | 108 | | |
| FF 89189 | 72 | 4000-12 | 100 | MI-E080990 | 108 | | |
| FF89131 | 72 | 4000-14 | 100 | MI-E080860 | 108 | | |
| | | 4500-01 | 100 | MI-E080880 | 108 | | |
| | | 4000-34 | 100 | MI-E080890 | 108 | | |
| | | 4000-22 | 101 | MI-MD030640 | 108 | | |
| | | 4000-23 | 101 | | | | |
| | | 4000-15 | 101 | | | | |
| | | 4000-20 | 101 | | | | |
| | | 4000-13 | 101 | | | | |
| | | 4000-Series | 101 | | | | |
| | | | | | | | |
| Ventilators / Bumper / Shoe Racks / Dehumidifier/ Miscellaneous | | Pg | Wire Baskets | | Pg | | |
| B-35x8 / B-53x8 | 119 | PTJ-003J - 200mm | 105 | | | | |
| WH-01 | 119 | PTJ-003I- 300mm | 105 | | | | |
| WH-02 | 119 | PTJ-023K - 200mm | 105 | | | | |
| ø80mm | 119 | PTJ-023 - 150mm | 105 | | | | |
| ø60mm & ø80mm | 119 | PTJ-007G - 400mm | 105 | | | | |
| 150 / 200mm | 119 | PTJ-007C - 450mm | 105 | | | | |
| LAMP-AUH | 119 | PTJ-007D - 500 | 105 | | | | |
| MI-086 / MI-087 | 119 | PTJ-007E - 600mm | 105 | | | | |
| BS-30 | 119 | PTJ-007F - 725mm | 105 | | | | |
| MI-518 | 119 | PTJ-007A - 800mm | 105 | | | | |
| SR-04 | 119 | PTJ-007H - 900mm | 105 | | | | |
| MI-TK168 | 119 | PTJ-005 - 800mm | 105 | | | | |
| | | PTJ-006 | 105 | | | | |
| | | PTJ-010D - 350mm | 105 | | | | |
| | | PTJ-004D - 300mm | 105 | | | | |
| | | PTJ-023D - 270mm | 105 | | | | |
| | | PTJ-010 - 400mm | 105 | | | | |
| | | PTJ-025F2 - 400mm | 105 | | | | |
| | | PTJ-012F (N)- 400mm | 106 | | | | |
| | | PTJ-012G (N) - 300mm | 106 | | | | |
| | | PTJ-018G-800 | 106 | | | | |
| | | MI-C040260-600 | 106 | | | | |
| | | MI-C040245-450 | 106 | | | | |
| | | MI-560-2, MI-660-2, MI-760-2, | 106 | | | | |
| | | MI-860-2, MI-960-2 | 106 | | | | |
| | | a) SJ304-05 b) SJ304-013 | 106 | | | | |
| | | MI-A0460CA | 106 | | | | |
| | | MD.0201 L/R | 107 | | | | |
| | | E 080625 MZ1 | 107 | | | | |
| | | LA 09120-1200mm | 107 | | | | |
| | | MDO40645K | 107 | | | | |
| | | B7002 | 107 | | | | |
| | | MI-E080720 | 108 | | | | |
| | | | | | | | |
| Wardrobe Sliding & Folding Door Systems | | Pg | | | | | |
| MI-689 MOBILE Wardrobe Sliding System for 2 & 3 Doors (with soft close) | 66 | | | | | | |
| MI-SL0798 In Line Sliding Door System | 66 | | | | | | |
| MI-SL0509-2/3 Wardrobe Sliding Door System with Soft Closing | 67 | | | | | | |
| MI-0301008 Inner Hanging Fold Sliding Door Fittings | 67 | | | | | | |
| MI-SL0802 In Line Flush Sliding System For Lower / Hanging Cabinet | 68 | | | | | | |
| TANGO 40-150 Manton Partition Doors And Wardrobe Doors | 68 | | | | | | |
| MI-9512 | 69 | | | | | | |
| ZY-293 | 69 | | | | | | |
| M-688 | 69 | | | | | | |
| ZY-328 | 69 | | | | | | |
| a) M-680-1 | 69 | | | | | | |
| b) M-680-2 | 69 | | | | | | |
| a) MI-TM1305 | 69 | | | | | | |
| b) M-857 | 69 | | | | | | |
| MI-SL-0904B | 69 | | | | | | |
| DF-01 | 69 | | | | | | |
| BF 05 Soft Closing Damper For Drawer And Sliding Door | 69 | | | | | | |
| a) M-289 b) M-287 | 69 | | | | | | |
| M-288 | 69 | | | | | | |



ESTB. 1936

上海同利五金私人有限公司

SHANGHAI TONG LEE HARDWARE PTE. LTD.

200 Jalan Sultan, #01-01 Textile Centre, Singapore 199018

Tel : (65) 6291 7288 / (65) 6298 7211

Fax : (65) 6291 1228 / (65) 6296 5540

Email : sales@shanghaitonglee.com.sg

Website : www.shanghaitonglee.com.sg



Authorised Dealer :

Quality, Value & More...