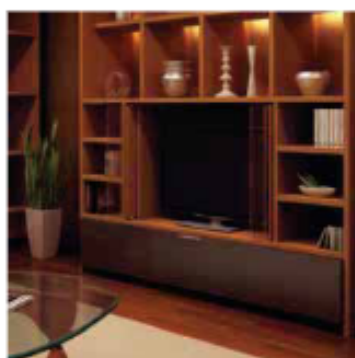


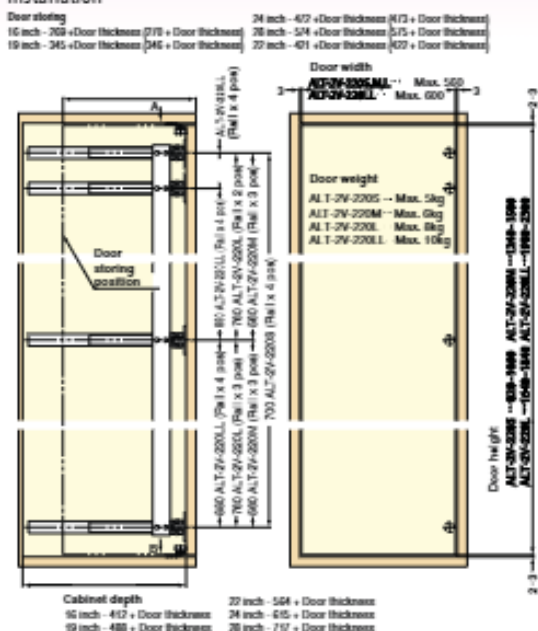
Slide & Swivels

Pocket Door Systems (INSET) with Soft Closing LAMP ALT-2V-D360

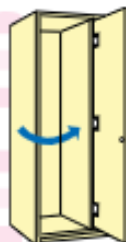


Slide Type	L Type (3 Rails)	LL Type (4 Rails)
Door Width	Max. 560 mm	Max. 600 mm
Door Height	1640 - 1840 mm	1980 - 2300 mm
Door Thickness	18 - 20 mm	
Door Weight	Max. 8 kgs	Max. 10 kg
Slide Length	16", 19", 22", 24"	

Installation



Door Width	Max. 900mm
Door Height	1780mm - 2300mm
Door Weight	Max. 20kg

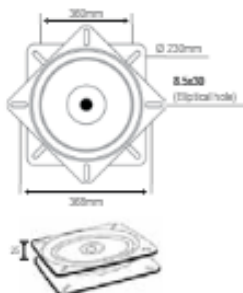


TSSL-600SV/Set	Rail (800mm)
TSSL-800SV/Set	Rail (800mm)
TSSL-900SV/Set	Rail (900mm)

LAMP TSSL-2V Stainless Steel Pocket Door Hardware



368 x 368 x H25(mm)



ZY-388
8", 12", 14", 16", 18", 24", 30"
Table Swivel



Independent wall mount table



without top and bottom beam
Table size : L1300 x W796(mm)

Features :

1. Works on cabinet doors up to 2300mm in height and 600mm wide.
2. Works on many sizes of horizontal opening cabinet doors. Designed for inset pocket doors.
3. When open, doors can retract inside the cabinet, allowing full access (besides pocket) to inside of cabinet.
4. Movement is extremely smooth due to slide rails.

MI-A31

Color: Black powder coated
 Material: A3 steel plate
 Full ball bearings:
 Ø 9.5 x 75pcs steel ball bearings
 Load weight : 200 kgs

Function:
 360 degree free rotation
 Character: Stable, flexible rotation.
 Hot rolling manufacturing with huge loading capacity & long service life

MI-TK489

Hidden Folding Wall Mounted Table Hardware
 Accessory with lock

Features:

1. The accessory makes table hidden on the wall.
2. Space-saving
 Load Capacity : 100 kgs



closing state



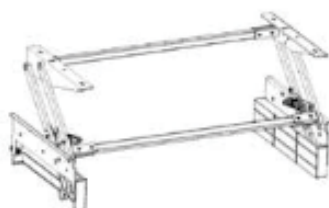
opening state

Accessories for Multifunctional Tea and Coffee Table

MI-TK 461 (with spring)

Material: steel
Surface: black / silver

patent product



Features :

1. The product can be used as a tea and coffee table in closing state, and it can serve as a simple desk, dining table in opening state. It is of space saving and convenience.
2. It can be used as a hidden desk, especially suitable for bay window because it can be overlay with bay window in closing state, but it can be used as a table in opening state. It is of practical and convenience.
3. With safety lock. Automatically lock when open it, but unlock manual
4. MI-TK 461 was designed to high demand customers. The device with soft close, and it can slow rise and slow decline within desktop load-bearing 13-14kg.
Note: It can slow rise and slow decline within desktop load-bearing 18-20kg after improving.



Tatami Lifting Table Fittings

MI-TK-501

Third Generation Tatami Lift Table hardware Electric Lifting



Features :

1. The device is of automatic power-out-off function (120s+3s) and it needs custom-made
2. The device is of temperature control protection, which cuts off power automatically when temperature is over 65°C.
3. Electric machinery is in-operator when it works over 20 times. And it will operate again after the electric machinery cooling down.
4. Anti-pinch function: the device stop descending when it is stuck with a hard object.
5. The device has wireless remote control function.

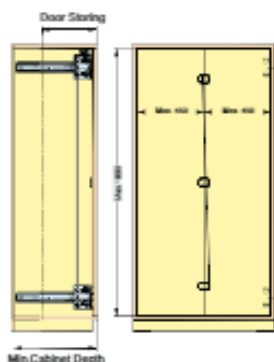
Item Number	H1 (mm)	H2 (mm)	Load Rating (Kg)	Material
MI-TK 501-1	310	670	60	Steel / Aluminium / Plastic
MI-TK 501-2	360	840	60	Steel / Aluminium / Plastic

Slide & Swivels

FOLDING POCKET DOOR SYSTEM



- Folding door is stored inside the cabinet.
- Support cabinet with less depth.
- Inset use.
- Applications: Ideal for audio visual, office, kitchen, wardrobe etc.



LAMP ALT-F

Door Width	Max. 450mm/Door
Door Height	Max. 1830mm
Door Thickness	23-30mm
Door Weight	Max. 12kg/Door

Item Code	Item No.	Pocket Space	Door Storing	Min. Cabinet Depth
180-022-294	ALT-F-18L	Left	355.6mm	466.7 + Door Thickness
180-022-295	ALT-F-18R	Right	355.6mm	466.7 + Door Thickness
180-022-296	ALT-F-20L	Left	406.4mm	517.5 + Door Thickness
180-022-297	ALT-F-20R	Right	406.4mm	517.5 + Door Thickness



MI-8103
Drawer Slide, Euro type,
self-closing, bottom mounting.
250mm - 800mm
Ivory



LAMP AR3-16
100mm, 150mm
Aluminium Full Extension
Mini Slide



FGV 54514503 X00
H45 Ball Bearing
Full Ext. Slide with Damper
Size: 250mm - 800mm
Colour: Black
Load Capacity: 45 kgs



S4501
SUS 304
Stainless Steel Ball Bearing Slide
Size: 14" - 20"
Load Capacity: 45 kgs
(*Available with soft closing
upon request)

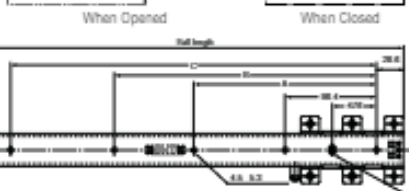
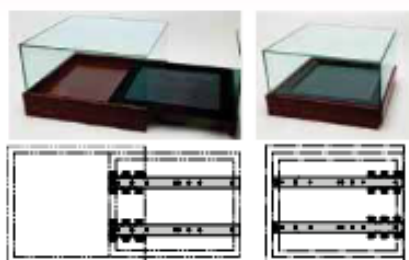


Schock ZH-13
Full Extension:
• Load capacity 50kgs
• Easy drawer removal without tools
300mm - 500mm
• With retaining pins
• 100 - 200kg upon request

C203V Under mount slide Rail



Code	Color	Model	Half	Travel	A	B	C	Load Capacity	Load Capacity	
								mm	kg	
02	01	199-036-244	C200V-30	300	178	—	181.7	242.8	90	10
03	01	199-036-245	C203V-300	300	178	—	181.7	242.8		
02	04	199-036-246	C200V-318	350	208	—	201.7	192.8		
03	04	199-036-247	C203V-350	350	208	—	201.7	192.8		
02	08	199-036-248	C203V-400	400	278	171.4	231.7	342.8		
03	08	199-036-249	C203V-400	400	278	171.4	231.7	342.8		
02	16	199-036-250	C200V-450	450	328	196.4	281.7	392.8		
03	16	199-036-251	C203V-450	450	328	196.4	281.7	392.8		
02	32	199-036-252	C200V-500	500	378	221.4	331.7	442.8		
03	32	199-036-253	C203V-500	500	378	221.4	331.7	442.8		
02	64	199-036-254	C200V-550	550	420	246.4	381.7	492.8		
03	64	199-036-255	C203V-550	550	420	246.4	381.7	492.8		
02	128	199-036-256	C200V-600	600	478	271.4	431.7	542.8		
03	128	199-036-257	C203V-600	600	478	271.4	431.7	542.8		



3514AC

Specification

- Length: 14" - 22"
- Travel: Full Extension
- Maximum Drawer Side Thickness: 18mm
- Load Capacity: 30 kg



Push Open With Soft-closing Under Mount Slide

- Application** : Office furniture, home drawers or metal furniture.
Material : Work hardened cold rolled steel.
Slide Length : 12"-24" . One grade for every 50mm.
Load Rating : 45kg/450mm (18")
Finish : Zinc Plated



FGV 54565007



Under Mount Full Ext. Slide with Damper Benefits for the consumer

- Smooth functioning thanks to new generation of wheel design
- Comfortable full extension for improved accessibility and ease of use
- Lasting quality thanks to optimised materials
- Hidden assembly for high quality perception of the whole cabinet

- Adaptive SlowMotion™ damping for noiseless closing
- Easy-Fix rapid for ease of assembly and integrated anti-lift feature
- Quick and easy front height adjustment without disassembly of the drawer



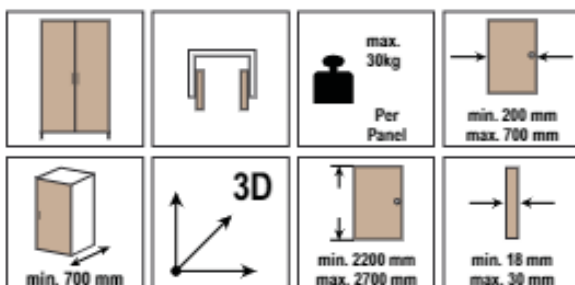
Slide & Swivels

NEW DARWIN 9500-2 700 SINGLE

Made in Italy



Pivot Sliding Door System-Single Door

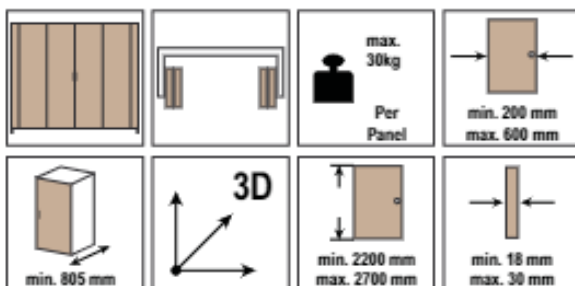


NEW DARWIN 9500-2 805 DOUBLE

Made in Italy



Pivot Pocket Door System-Double Door

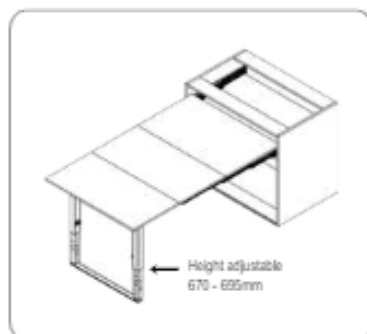




MI-440

**Pull Out Table Extension
with Adjustable Leg**

Extendable Dining Table



Main Features

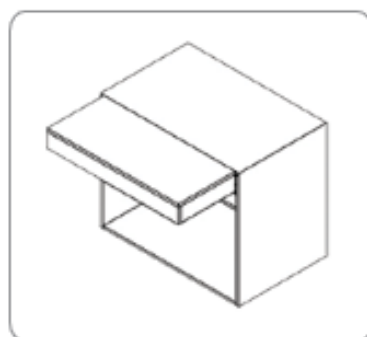
- Extending up to 1500mm long, enough for meal with family and friends of 4-8 people.
- All aluminium alloy metal material, shining finishes.
- Used in various scenarios, such as desk, dining table, etc.
- Hidden slide, single extension, soft closing, and mute.
- Easy to install and uninstall.
- Load weight: 70kgs.
- Patented products.
- Extended length: 1105mm.
- Cabinet width: 800 - 1200mm.
- Cabinet height: 170mm.
- Cabinet depth: Min. 550mm.



MI-390

Pull Out Rising Table Extension

Extendable Table with Rising Hidden Slide



Main Features

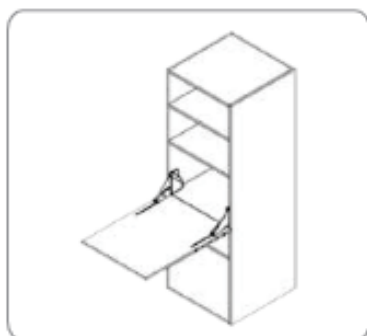
- All aluminium alloy metal material, shining finishes.
- Used in various scenarios, such as desk, dining table, etc.
- Hidden slide, single extension, soft closing, and mute.
- Easy to install and uninstall.
- Minimum inner depth: 390mm.
- Load weight: 30kgs.
- Extended length: 370mm.
- Cabinet width: 800 - 1200mm.
- Cabinet height: 178mm.
- Cabinet depth: 480mm.



MI-500

Pull Down Table Hinge

Foldable Table Hinge Stay



Main Features

- All aluminium alloy metal material, shining finishes.
- Used in various scenarios, such as desk, dining table, etc.
- Hidden slide, single extension, soft closing, and mute.
- Easy to install and uninstall.
- Minimum inner depth: 120mm.
- Load weight: 30kgs.
- Extended length: 400 - 725mm.
- Cabinet width: 800 - 1200mm.
- Cabinet height: 500mm.

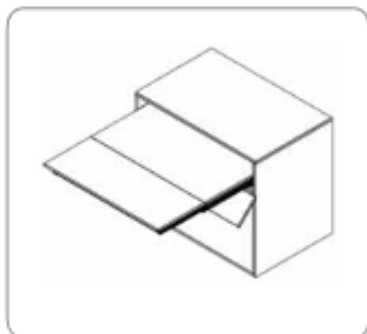
Slide & Swivels



MI-540

Pull Out Table Extension

Extendable Dining Table



Main Features

- All aluminium alloy metal material, shining finishes.
- Used in various scenarios, such as desk, dining table, etc.
- Hidden slide, single extension, soft closing, and mute.
- Easy to install and uninstall.
- Minimum inner depth: 550mm.
- Load weight: 30kgs.
- Expanded length: 712mm
- Cabinet width: 600 - 1200mm.
- Cabinet height: 148mm.

MI-TK485 Hidden Folding Table Accessories



Inversion-proof Fittings
(Optional)



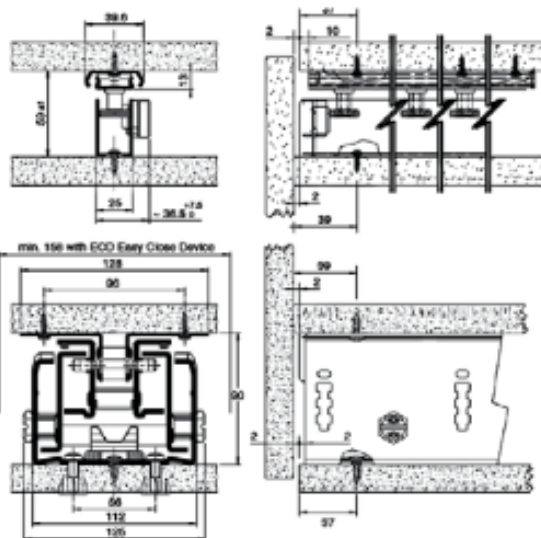
Brakeless Directional Casters (Optional)

Braked Directional Casters (Optional)



Main Features

- Special rail-changing hinges are adopted to bear heavy and durable loads.
- Special treatment at the movable joint the table does not sink.
- Cabinet width : 800mm
- Cabinet depth : 320mm
- Extendable table length : 1670mm
- Cabinet height : Min 1514mm



FR7701, FR7704, FR7710 Heavy Duty Pantry Pull Out slide

Made In Austria



White
Load Capacity: 200kgs
Cabinet Depth: 450mm,
600mm, 900mm

Max.Height : 2500mm
Max. Width : 600mm