

Triumph Stealth

22kg

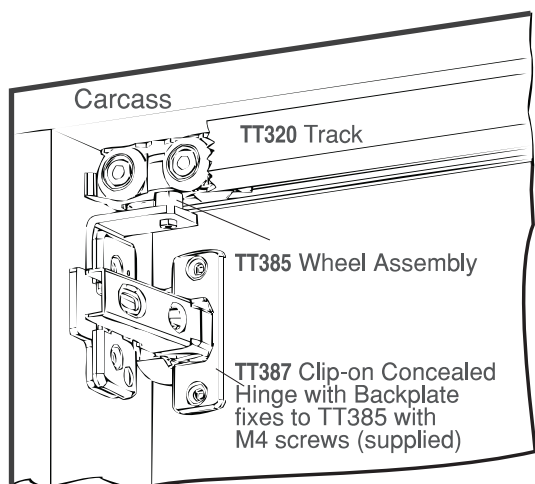
CONCEALED BI-FOLDING DOOR TRACK SYSTEM

PER LEAF

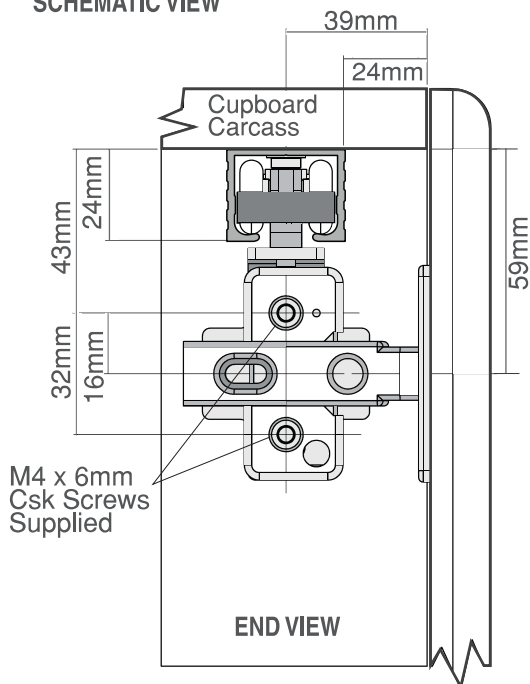
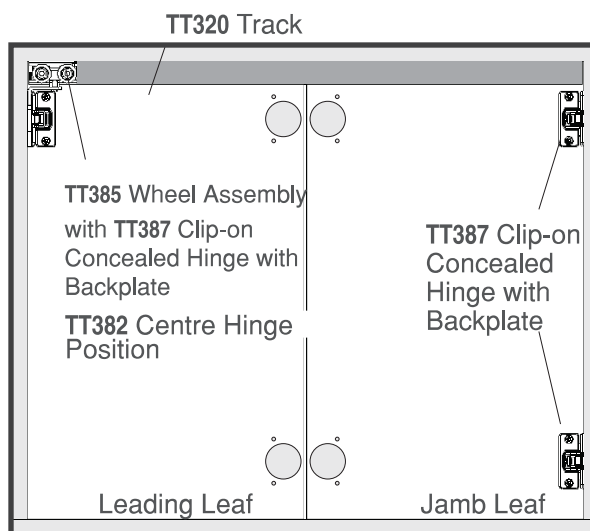
FEATURES:

- Wrap around aluminium track - available in mill finish and clear anodised
- Nylon tyred wheel with lubricated steel ball bearings - for smooth guide operation
- Hinge bracket on wheel assembly suits TT387 clip-on concealed hinges
- Suits door thicknesses of 16mm to 25mm
- Ideally suited to doors up to 1000mm high but may be adapted to suit doors up to 2100mm high (additional hinges required)
- Specially designed centre hinges allow for accurate door alignment
- Maximum recommended leaf width 600mm

- P385** 2 Leaf components pack for up to 1000mm high leaf doors
- TT320** Aluminium track - 2000, 2500, 3400 & 4500mm in mill finish
- TT320** Aluminium track - 5560mm clear anodised



SCHEMATIC VIEW



END VIEW

