

SWING LIFT-UP STAY



SLU-ELAN



■ Features

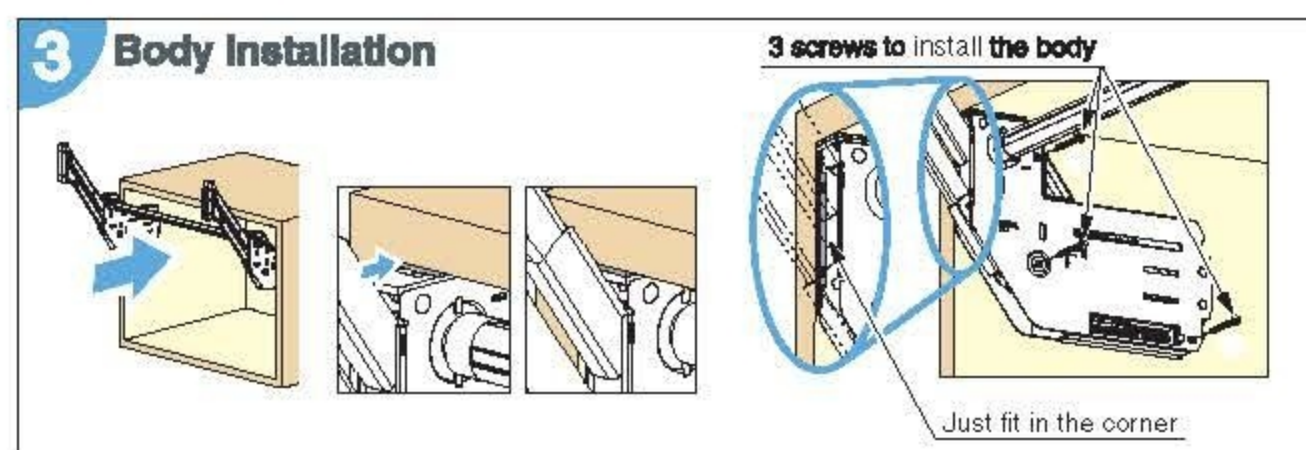
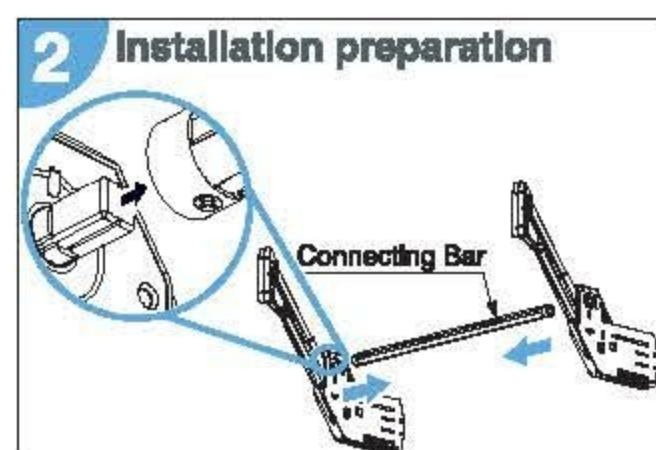
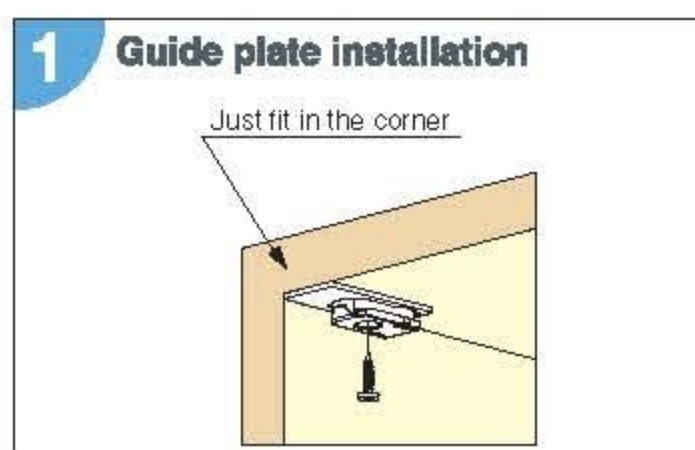
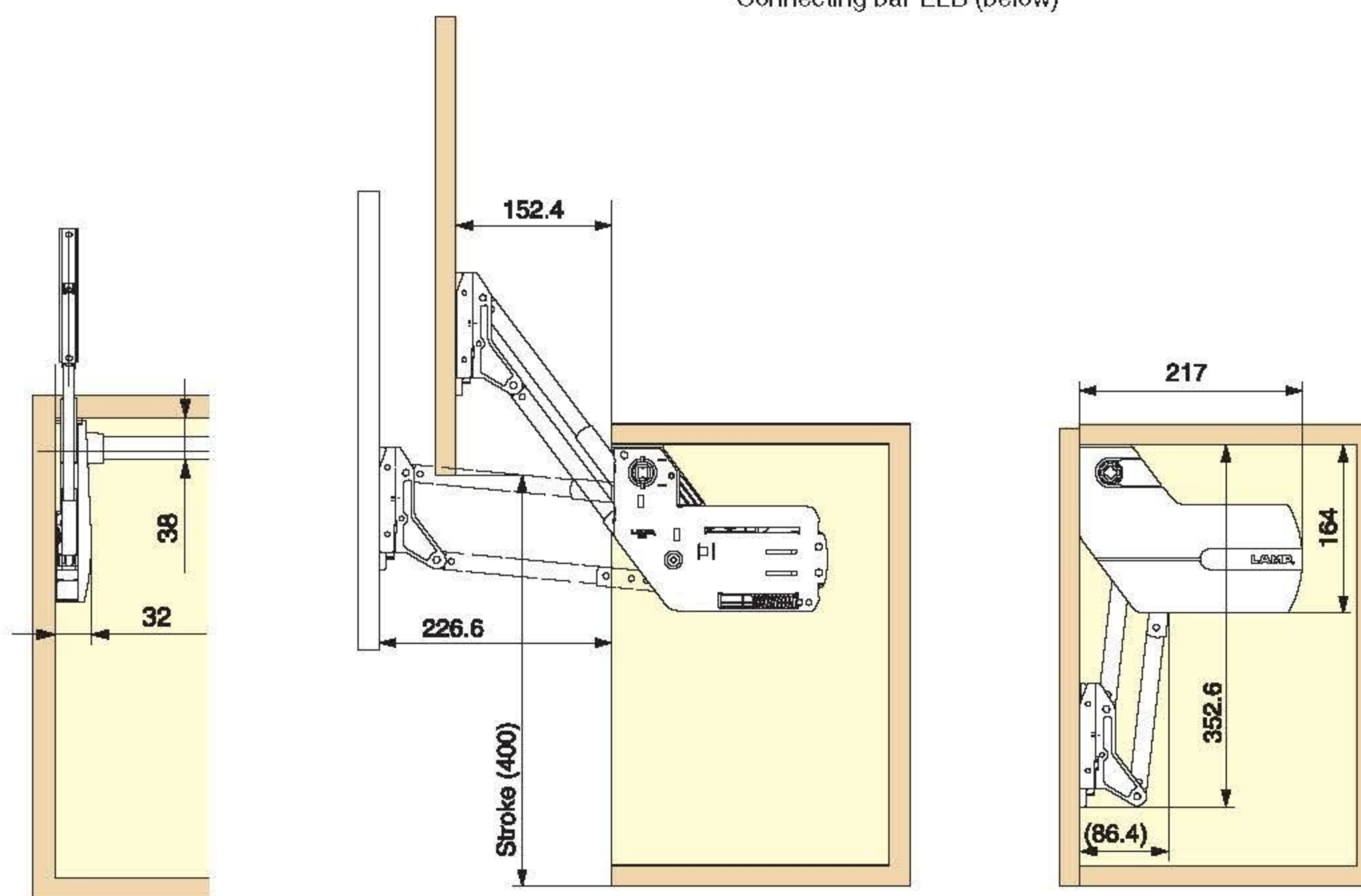
- For swing lift-up doors.
- Lift-assist mechanism for extra-light opening.
- Door stays in any desired position.
- Damper equipped for soft & silent closing at the end.
- Simple installation by the mounting guide plate and slide on the main body.
- No hinges are required.
- Connecting bar stays on the top for maximum space inside the cabinet.
- Recommended door size and weight :
 - Width : Max. 1800 mm
 - Height : 390-500 mm
 - Weight : 5-11 kg

■ Parts Included

- Mounting plate for main body (2 pcs)
- Guide plate (2 pcs)
- Countersunk head tapping screw 3.5×38 for main body (6 pcs)
- Binding head tapping screw 3.5×15 for mounting plate (6 pcs)

■ Sold Separately

Connecting bar ELB (below)



Item Code	Item Name	Door Weight	Material	Finish/Colour	Weight	Carton
180-022-312	SLU-ELAN S4	5.0-6.5 kg	Aluminium Alloy, ABS	Anodized, Light Grey	3.0 kg	5 sets
180-022-313	SLU-ELAN L4	6.5-8.0 kg	Aluminium Alloy, ABS	Anodized, Light Grey	3.0 kg	5 sets
180-022-314	SLU-ELAN M4	8.0-9.5 kg	Aluminium Alloy, ABS	Anodized, Light Grey	3.1 kg	5 sets
180-022-315	SLU-ELAN H4	9.5-11.0 kg	Aluminium Alloy, ABS	Anodized, Light Grey	3.2 kg	5 sets

*Inside cabinet height is Min. 360 mm / *Door weight includes handle.

■ Connecting Bar (Sold Separately)

Item Code	Item Name	Cabinet Width	Cabinet Inside Width	Weight	Carton
180-022-319	ELB-480	600 mm	556-566 mm	184 g	5 pcs
180-022-320	ELB-780	900 mm	856-866 mm	298 g	5 pcs
180-022-321	ELB-1080	1200 mm	1156-1166 mm	411 g	5 pcs
180-022-322	ELB-1380	1500 mm	1456-1466 mm	526 g	5 pcs
180-026-323	ELB-1680	1800 mm	1756-1766 mm	650 g	5 pcs

*For other dimensions, the bar can be cut on site.