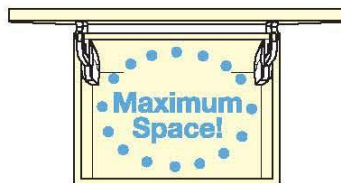
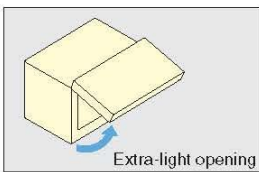
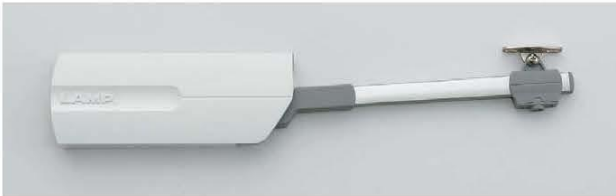


# EASY LIFT-UP STAY



SLS-ELAN



## ■ Features

- For upward-opening flap doors.
- Can be used with concealed, piano, or butt hinges.
- Lift-assist mechanism for extra-light opening.
- Door stays in any desired position.
- Damper equipped for soft & silent closing at the end.
- Easy-installed just by aligning the main body to the inside cabinet corner.
- Optional bracket for aluminium frame door available.
- Single or pair use allows wide range of door sizes/weights.
- Recognized by LGA for 40,000 cycles.

## ■ Parts Included

- Mounting plate for wooden door
- Countersunk head tapping screw 3.5×35 for main body (2 pcs)
- Binding head tapping screw 3.5×15 for mounting plate (2 pcs)
- Truss head screw M4×5 for mounting plate (1 pc)

## ■ Remarks

Hinge is not included.

## ■ Sold Separately

- Mounting plate SLS-ELAN-AZ for aluminium frame
- Possible to cover the original logo "LAMP" on the body with ELAN-LP (Item Code: 180-018-225) at surcharge.
- Slider (for maintenance)

## ■ 3 Functions in 1 Stay

### 1. Lift-assist



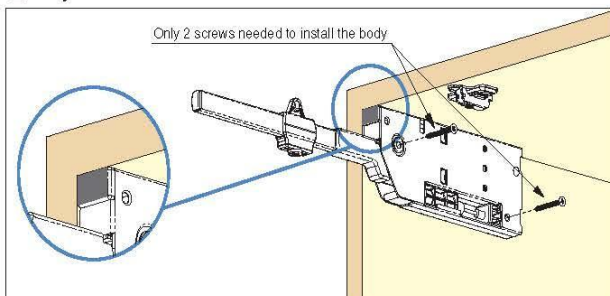
### 2. Free-stop



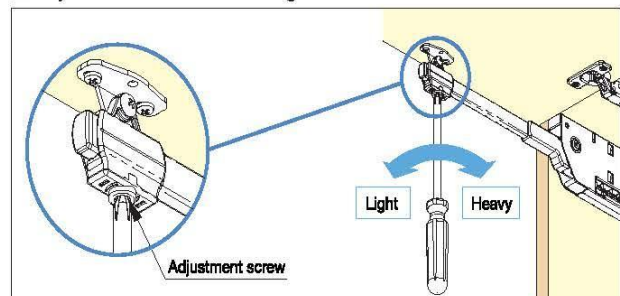
### 3. Soft-close



## ■ Easy Installation

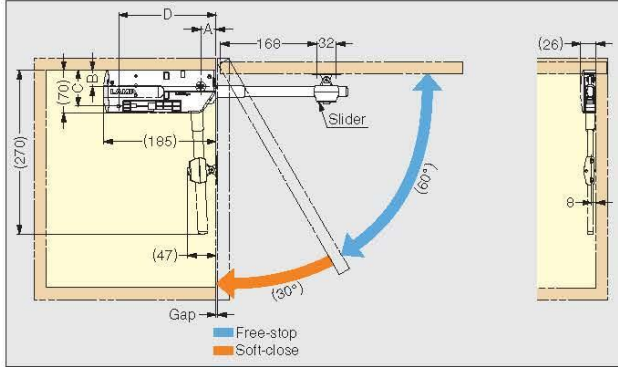


## ■ Adjustment of Lift-assisting Force

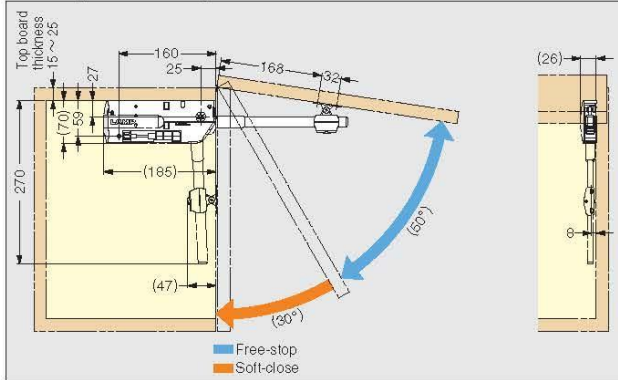


## Installation (Right Side)

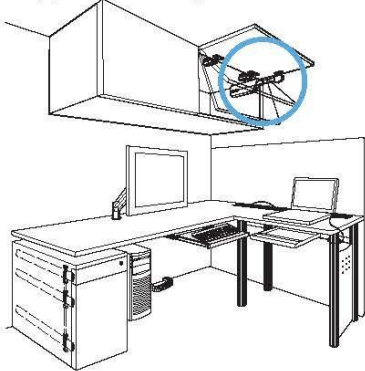
### With concealed hinge



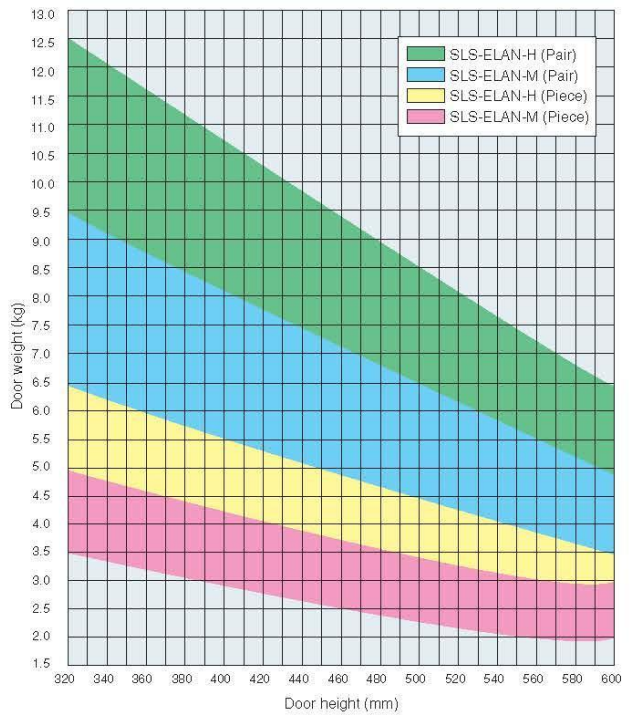
### With single knuckle hinge



## Application Example



## Door Size Ranges



For heavier flap application, please contact your local dealer or sugatsune office.



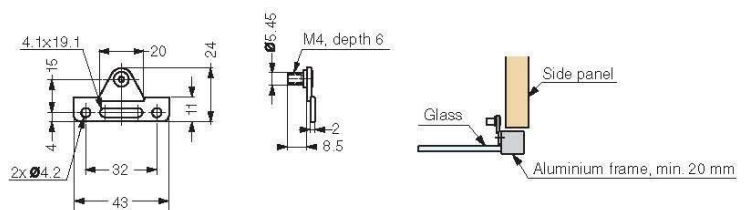
## Slider for Maintenance

Item Code	Item Name	Weight	Carton
180-016-498	SLS-ELAN SLIDER	10 g	20 pcs

Item Code	Item Name	Type	Material	Finish/Colour	Model	Torque Moment/piece	Weight	Carton
180-015-491	SLS-ELAN-MR S	Right	Aluminium Alloy/ABS	Anodized/Light Grey	M	4.90~7.35 N · m (50~75 kgf · cm)	600 g	20 pcs
180-015-490	SLS-ELAN-ML S	Left	Aluminium Alloy/ABS	Anodized/Light Grey	M		600 g	20 pcs
180-015-493	SLS-ELAN-HR S	Right	Aluminium Alloy/ABS	Anodized/Light Grey	H	7.35~9.80 N · m (75~100 kgf · cm)	600 g	20 pcs
180-015-492	SLS-ELAN-HL S	Left	Aluminium Alloy/ABS	Anodized/Light Grey	H		600 g	20 pcs

## MOUNTING PLATE FOR ALUMINIUM FRAME DOOR

## SLS-ELAN-AZ



## Mounting Plate for Aluminium Frame Door (Sold Separately)

Item Code	Item Name	Part Name	Weight	Box
180-017-647	SLS-ELAN-AZ	Body	11 g	320 pcs
180-018-555	SLS-ELAN-AZS	Screw Set	5 g	800 sets