

SHORT ARM SOFT-DOWN STAY



SDS-100-TV, SDS-C100-TV



■ Features

- For downward-opening doors.
- Can be used with piano, butt, or drop hinges.
- Short arm type designed for the small height door application.
- Non-handed : Can be installed either on left or right side.
- SDS-C100-TV (with catch) is designed to hold door in closed position. SDS-100TV does not have catch. Designed to be used with the magnetic catch or touch latch.

■ Torque

- With 1 stay
Torque = 0.49~1.18 N · m (5~12 kgf · cm) :TV type
1.62~3.68 N · m (16.5~37.6 kgf · cm) :TVZ type
- With 2 stays, the torque will be doubled.

■ Parts Included

- Mounting plate SDS-A
- Countersunk head tapping screw 3.5 × 14

■ Sold Separately

Face plate for glass doors SDS-50G (P.522)

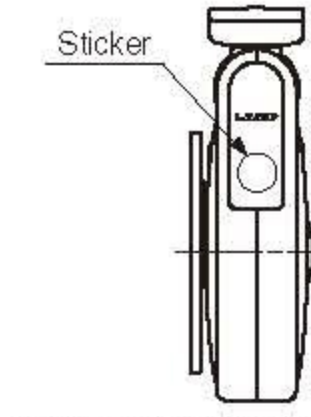


White

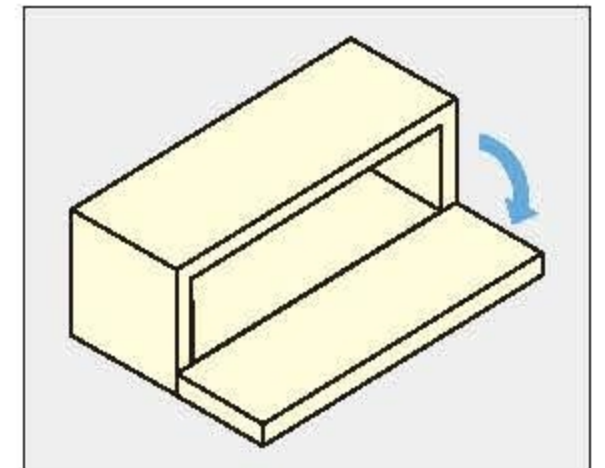
Black



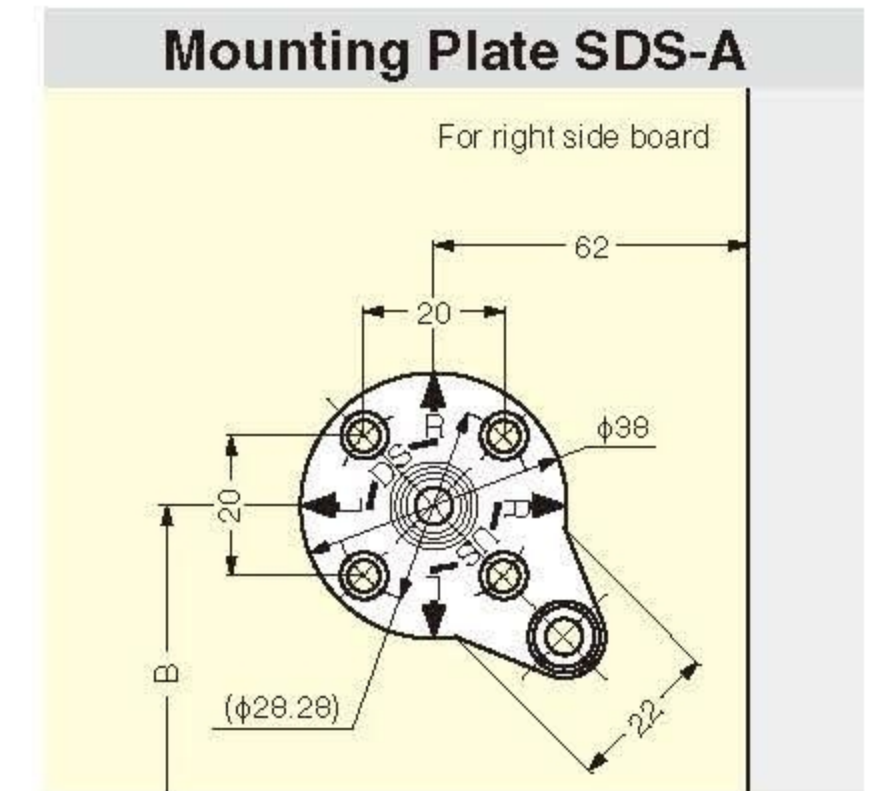
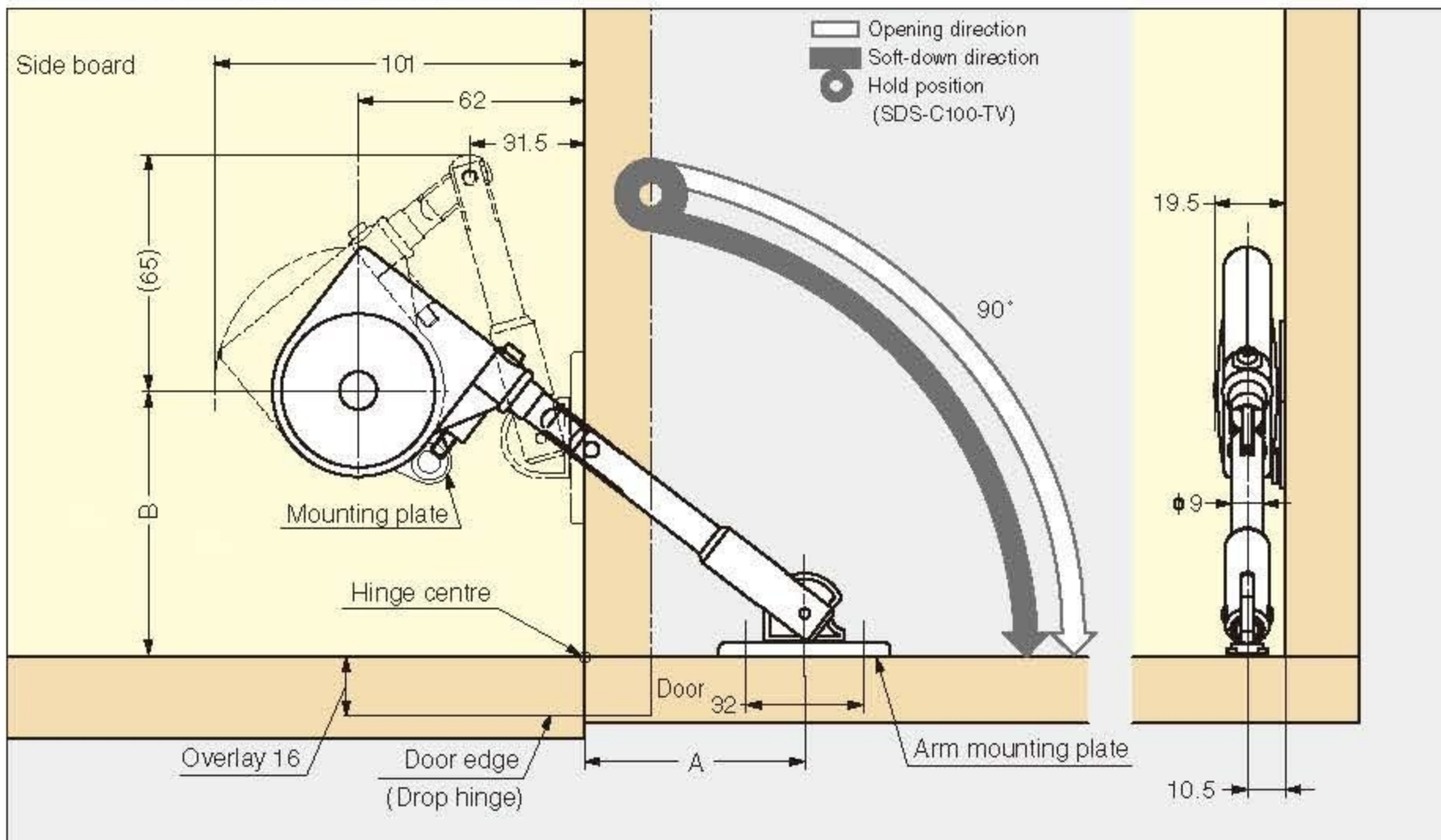
Mounting plate SDS-A



The TVZ model comes with a sticker that shows the model difference.



■ Installation (Opening Angle 90°)



Hinge Type	A	B
Single Knuckle Hinge	60	73
Drop Hinge (SDH-001)	65※ ¹	62
Drop Hinge (SDH-P)	66※ ²	60

※¹: In case overlay 16 mm

※²: In case overlay 19 mm

■ Body

Item Code	Item Name	Type	Colour	Torque Moment/piece	Weight	Box	Carton
180-100-258	SDS-100W-TV	Without Catch	White	0.49~1.18 N · m (5~12 kgf · cm)	145 g	20 pcs	100 pcs
180-100-259	SDS-100B-TV	Without Catch	Black		145 g	20 pcs	100 pcs
180-100-006	SDS-C100W-TV	With Catch	White		154 g	20 pcs	100 pcs
180-109-263	SDS-C100B-TV	With Catch	Black		154 g	20 pcs	100 pcs
180-014-181	SDS-100W-TVZ	Without Catch	White	1.62~3.68 N · m (16.5~37.6 kgf · cm)	147 g	20 pcs	100 pcs
180-014-182	SDS-100B-TVZ	Without Catch	Black		147 g	20 pcs	100 pcs
180-014-183	SDS-C100W-TVZ	With Catch	White		154 g	20 pcs	100 pcs
180-014-184	SDS-C100B-TVZ	With Catch	Black		154 g	20 pcs	100 pcs

■ SDS Face Plate (Sold Separately)

Item Code	Item Name	Material	Finish/Colour	Weight	Box	Carton
180-100-260	SDS-50G-CR	Zinc Alloy (ZDC)/ABS	Chrome/Black	25 g	50 pcs	200 pcs
180-928-046	SDS-50G-BL	Zinc Alloy (ZDC)/ABS	Black/Black	25 g	50 pcs	200 pcs