

Kit for synchronized drive of 2 doors up to 80 kg each and 2.2 m opening

SYNCHRONIZATION KIT

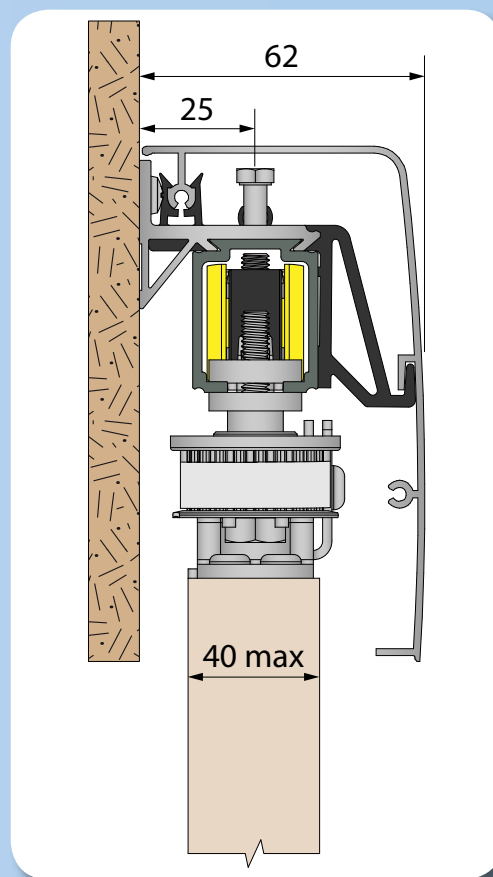
Item NR	Description
11050-2	Kit for 2 doors up to 80 kg each and max. comprising : - 2 assembled pulleys - 1 driving angle plate - 1 fixing angle plate with spring - 1 cable diameter 1.5 mm, length 10 m. (maximum opening : 2.2 m) - screws and assembly instructions



This kit is compatible with our SAF® range only.

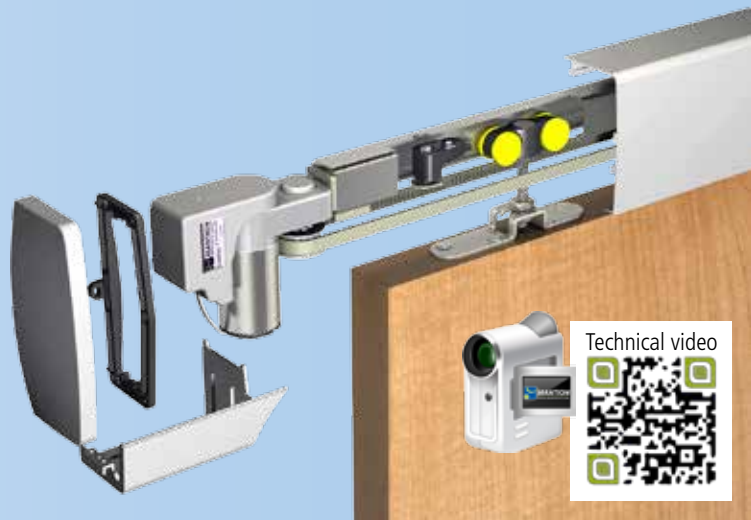
SAF-POWER®

Motorised systems for single doors of 80 kg or 2 doors of 50 kg



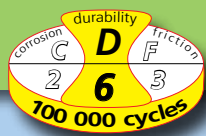
Technical data (indoor use only):

- Power supply 24V/AC/DC 2.5A
- Adjustable opening and closing speed
- Self-teaching mode
- Max. weight per panel : 80 Kg or 2 x 50 Kg
- Control : radio, wire (HF 433 MHz) or infrared technology
- Temperature of use 5-50°c
- Interfacing with domotic central unit
- Centralized control (supervisor function)
- Possibility of an automatic time-delay closing
- Electronic locking of the door possible
- Compatible with presence detector



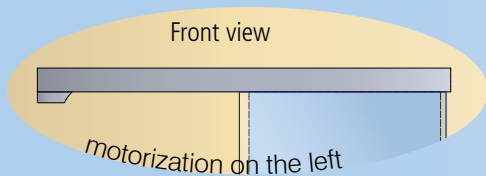
Technical video



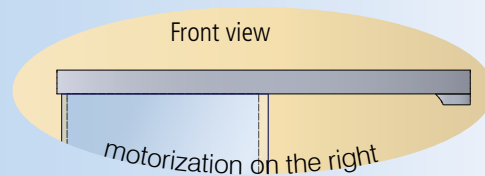


SAF-POWER®

Motorised systems for single doors of 80 kg or 2 doors of 50 kg



Technical video



SAF-POWER SETS for drive located on LEFT hand side	
Item NR	Drive sets for single door
10206G-700	Drive kit (placed on left) for opening of up to 650 mm
10206G-800	Drive kit (placed on left) for opening of up to 750 mm
10206G-900	Drive kit (placed on left) for opening of up to 850 mm
10206G-1000	Drive kit (placed on left) for opening of up to 950 mm
Item NR	Drive sets for double door
10206G-122	Drive kit (placed on left) for opening of up to 1200 mm
10206G-142	Drive kit (placed on left) for opening of up to 1400 mm
10206G-162	Drive kit (placed on left) for opening of up to 1600 mm
10206G-182	Drive kit (placed on left) for opening of up to 1800 mm
10206G-202	Drive kit (placed on left) for opening of up to 2000 mm

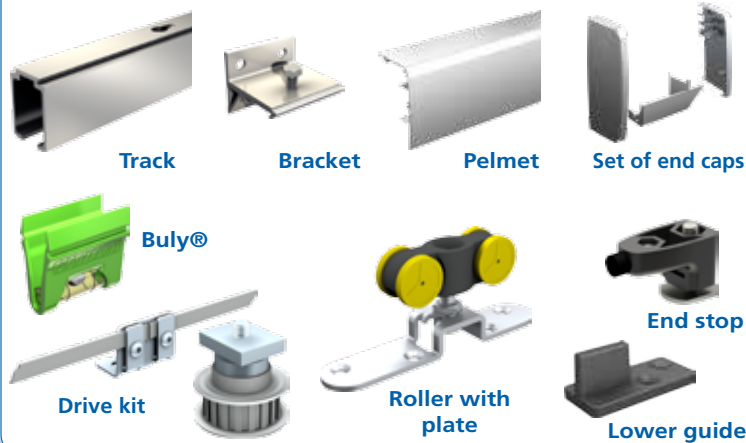
SAF-POWER SETS for drive located on RIGHT hand side	
Item NR	Drive sets for single door
10206D-700	Drive kit (placed on right) for opening of up to 650 mm
10206D-800	Drive kit (placed on right) for opening of up to 750 mm
10206D-900	Drive kit (placed on right) for opening of up to 850 mm
10206D-1000	Drive kit (placed on right) for opening of up to 950 mm
Item NR	Drive sets for double door
10206D-122	Drive kit (placed on right) for opening of up to 1200 mm
10206D-142	Drive kit (placed on right) for opening of up to 1400 mm
10206D-162	Drive kit (placed on right) for opening of up to 1600 mm
10206D-182	Drive kit (placed on right) for opening of up to 1800 mm
10206D-202	Drive kit (placed on right) for opening of up to 2000 mm

Gear motor KIT	
10206	SAF-POWER RC drive kit, comprising one gear motor and one remote control box (supplied in a Ø 67 mm dry box). - Requires 24 V power supply (10206 A1) - Requires control elements: switches or radars

KIT CONTENTS (supplied in 1 box):

- 1 aluminium 11108 track – cut to length + Buly® (spirit level)
 - 1 aluminium 11043 pelmet to be snapped onto track – cut to length
 - 1 set of pelmet end caps
 - 11013 angled (sliding) brackets to mount the track
 - SAF 81L gear (rollers + plates + end stops + lower guide)
 - 1 drive kit (return pulley + joining bracket)
 - 1 cog belt
 - Pouch with screws and bolts + installation instructions
- Note: Gear motor kit 10206 and accessories must be ordered separately

SAF-POWER SET



GEAR MOTOR KIT



ACCESSORIES for controlling the gear motor	
10206 A1	Switch mode power supply 220 V/24 V
10206 DM	Motion sensor radar with microprocessor technology: adjustment of bidirectional field via potentiometer.
10206 DMP	Dual field motion sensor radar: adjustment of microwave field (via button on radar or using 10206 TER remote control).
10206 TER	Remote control for fast commissioning of 10206 DMP radar (complete adjustments possible).
10206 ISC	Contactless switch with 2 range of action positions: 50 - 200 mm or 50 - 600 mm.
C0004780	Radio-controlled switch, ideal for renovation: no cables to lay!

