

Rim ø35 Cylinder



Cylinders

Application

Compatible with residential and commercial deadbolt locksets which require a lazy tail on round cylinder.

Operation

360° rotation by operating key.

Materials

Body and plug: Brass.

Tail: Steel.

Pins: Nickel Silver & Stainless Steel.

Available Finishes

See table in page C490v1.

Cylinder Mechanism

Mul-T-Lock® unique, high precision

10 telescopic pin tumbler system.

Pick and drill resistant for high security needs.

Keys

Reversible Nickel Silver key with plastic key head and coloured insert. Also available in all-Nickel Silver.

Key Security

Orders for keys marked "do not duplicate" should only be made upon presentation of a key card.

Cylinder Options

Classic, *Interactive*® (patented).

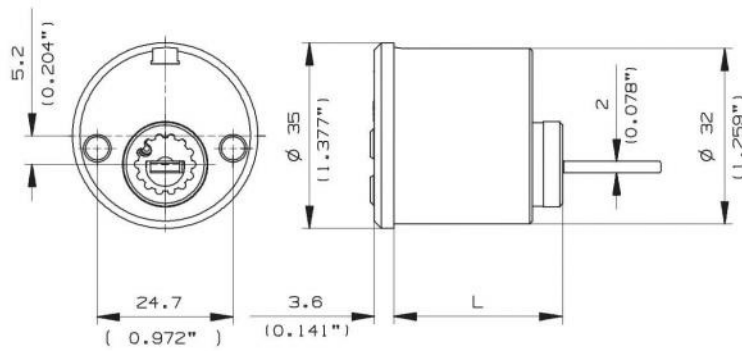
'3 IN 1' (changeable combination).

Keyed different, Keyed alike,

Master keyed.

Standards

UL 437 ,ISI 950.



	L	
mm	28.4*	33.5
Inch	1.118*	1.320

* Product with 4 chambers.