

Padlock Accessories

Hasp For Glass Door



Padlocks

Application

Effective easy to install hasp for glass doors.

Provides a perfect locking solution when used in conjunction with Mul-T-Lock® padlocks.

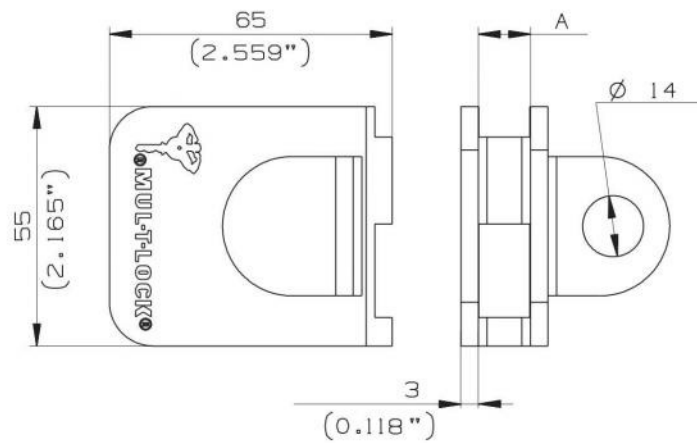
Resin bonded.

Materials

Steel.

Finish

Shiny chrome finish.



Door thickness up to:			
A	mm	12	19
	Inch	0.472	0.748

