

OVER THE TOP FLIPPER DOOR MECHANISM (W/ SOFT CLOSING)



OV-1



■ Features

- Patented LAPCON technology provides a smooth and quiet motion.
- Prevents from slamming shut.
- Adjustable closing speed.

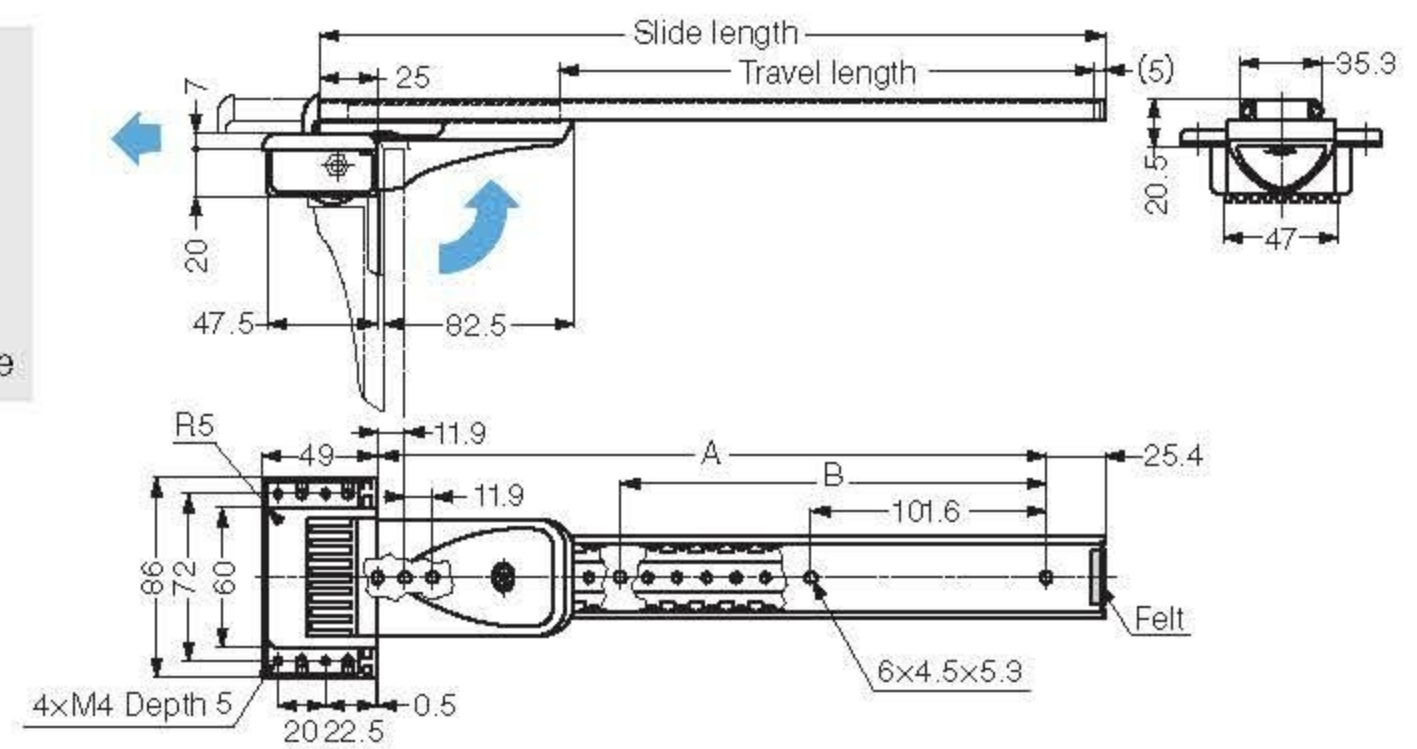
■ Remarks

2 pcs of OV1-MBP-BL-TRN-N2 (Main body) and 2 pcs of OV-SLP RN (Rail) are necessary for 1 cabinet.

■ Parts Included

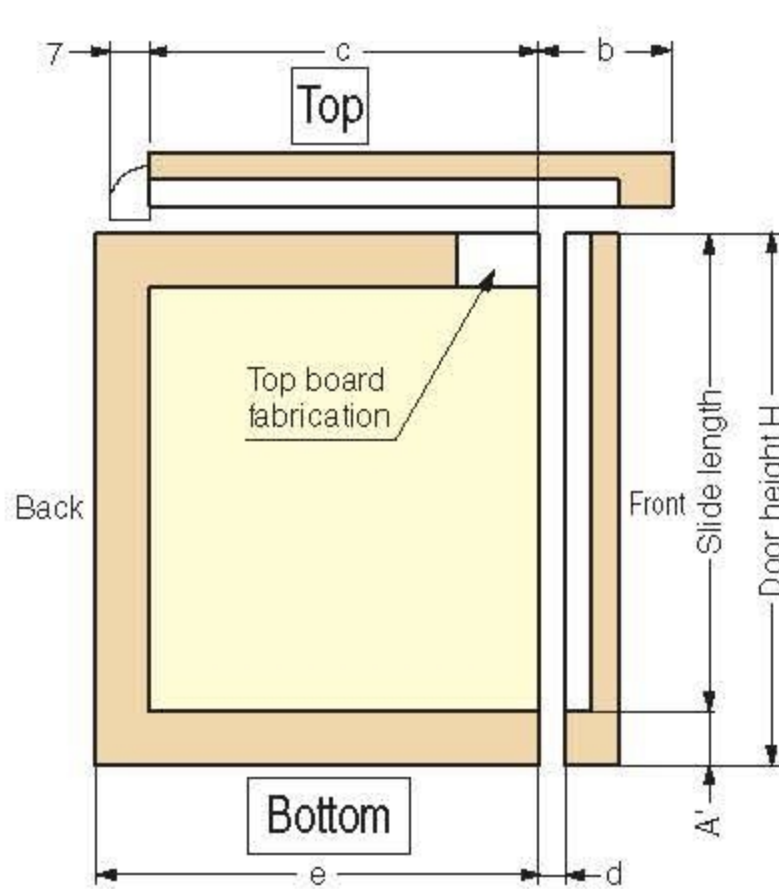
- Installation plate (4 pcs)
- Countersunk head screw M4 × 26 for wooden door (8 pcs)
- Binding head screw M4 × 8 for metal door (8 pcs)
- Binding head tapping screw 4 × 10 for rail installation (12 pcs)

■ Installation Plate

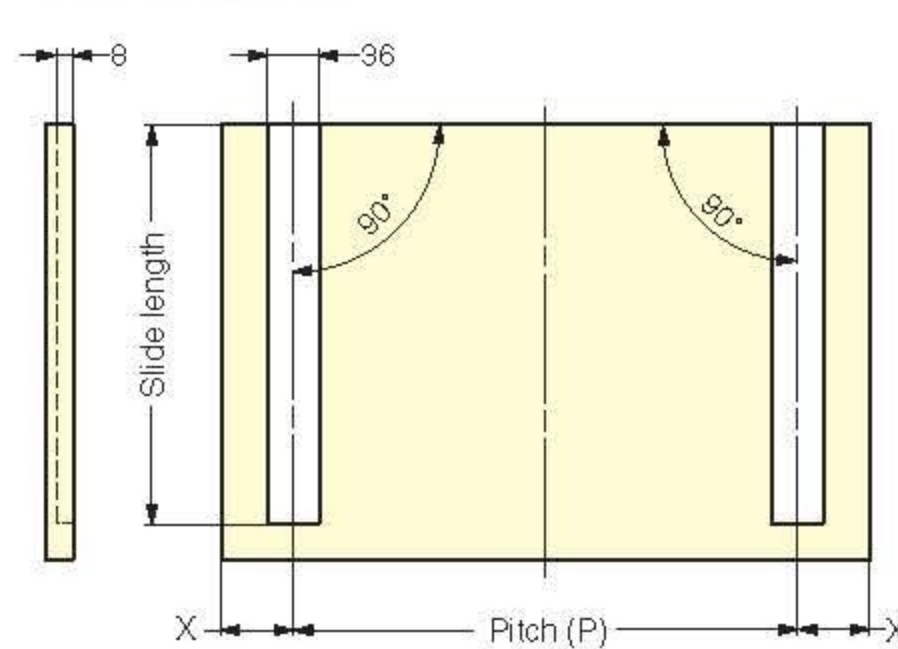


■ Cut Out Dimensions

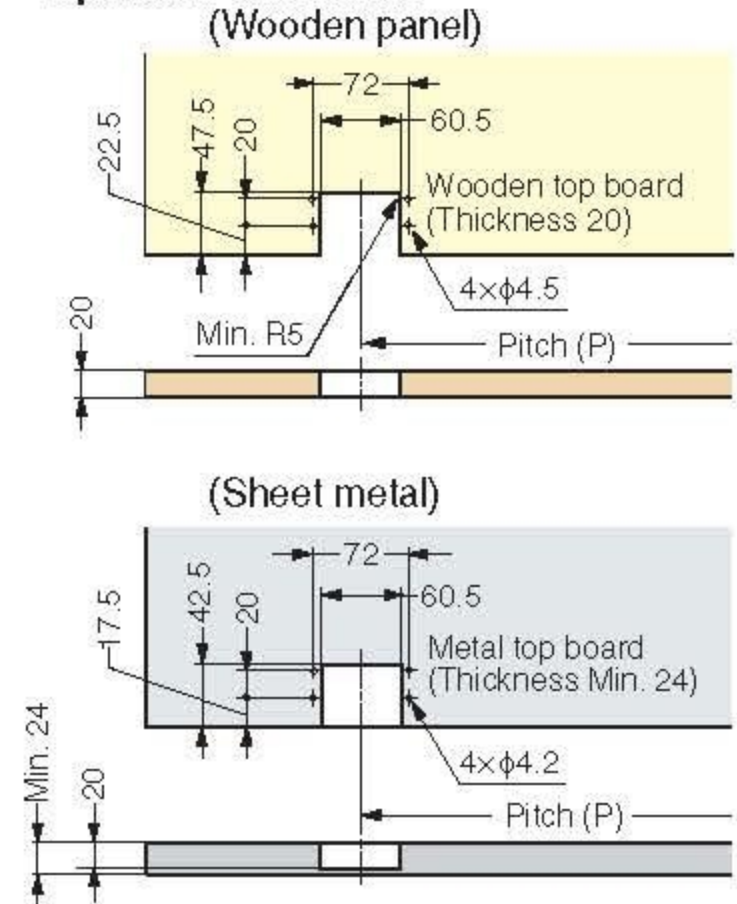
Cabinet dimensions



Door fabrication



Top board fabrication



	b	c	d	e
Wooden Top Board	A' + 81.4	H-b	2.5	Min. c+7
Metal Top Board	A' + 86.4	H-b	7.5	Min. c+7

	X
Inset Application	80
Overlay Application	Side Board Thickness+80

■ Main Body: 2 pcs are necessary for 1 cabinet.

Item Code	Item Name	Material	Colour	Door Weight	Door Width	Door Height	Door Thickness	Torque Moment/set	Weight	Carton	
180-109-206	OV1-MBP-BL-TRN-N2	Steel & Plastic	Black	3~5 kg	700~1400	350~450	Min. 20	5.9~9.8 N · m	60~100 kgf · cm	282 g	40 pcs

■ Rail: 2 pcs are necessary for 1 cabinet.

Item Code	Item Name	Material	Finish	Slide Length	Travel Length	A	B	Weight	Carton
190-119-672	OV-13 SLP RN	Steel	Clear Zinc Chromate	330.2	223.8	279.4	177.8	270 g	20 pcs
190-119-673	OV-14 SLP RN	Steel	Clear Zinc Chromate	355.6	249.2	304.8	203.2	287 g	20 pcs
190-119-674	OV-15 SLP RN	Steel	Clear Zinc Chromate	381	274.6	330.2	228.6	310 g	20 pcs
190-119-675	OV-16 SLP RN	Steel	Clear Zinc Chromate	406.4	300	355.6	254	322 g	20 pcs