

ADJUSTABLE SOFT-DOWN STAY



NSDX-35 (R/L)



■Features

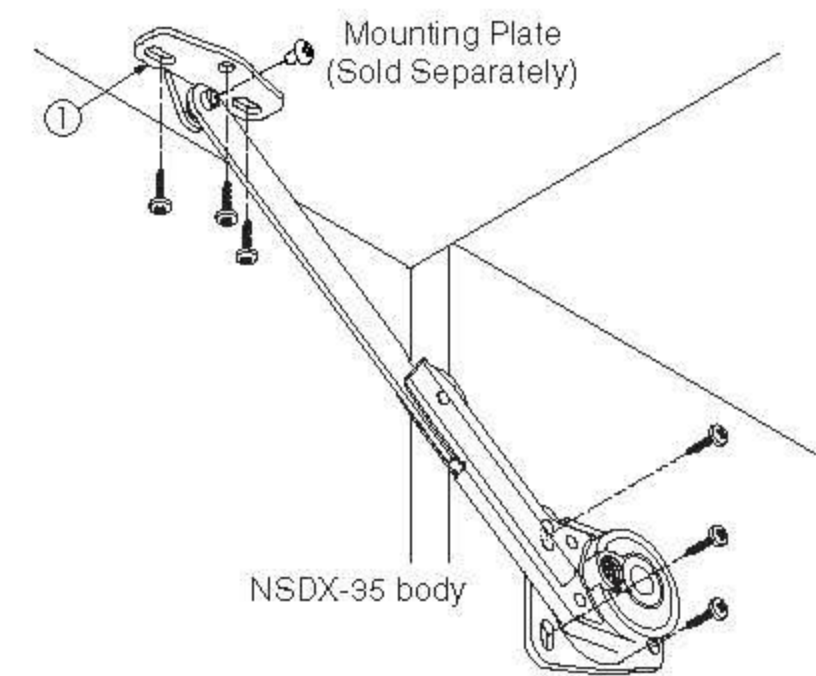
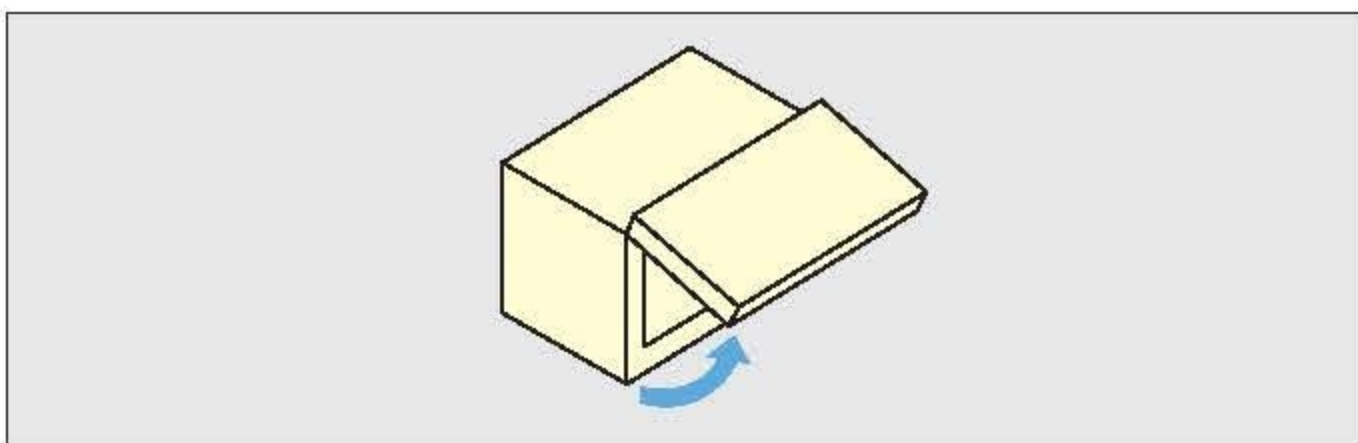
- For upward-opening doors.
- Can be used with concealed, piano, or butt hinges.
- Opening angle 80° to 100°.
- Two stop version also available (holds the door at 60°, 65° or 70°).
- NSDX-35 is designed to hold the door in fully opened position.
- Successfully passed for the 30,000 open/close private cycle test.
- Closing speed adjustable.

■Torque

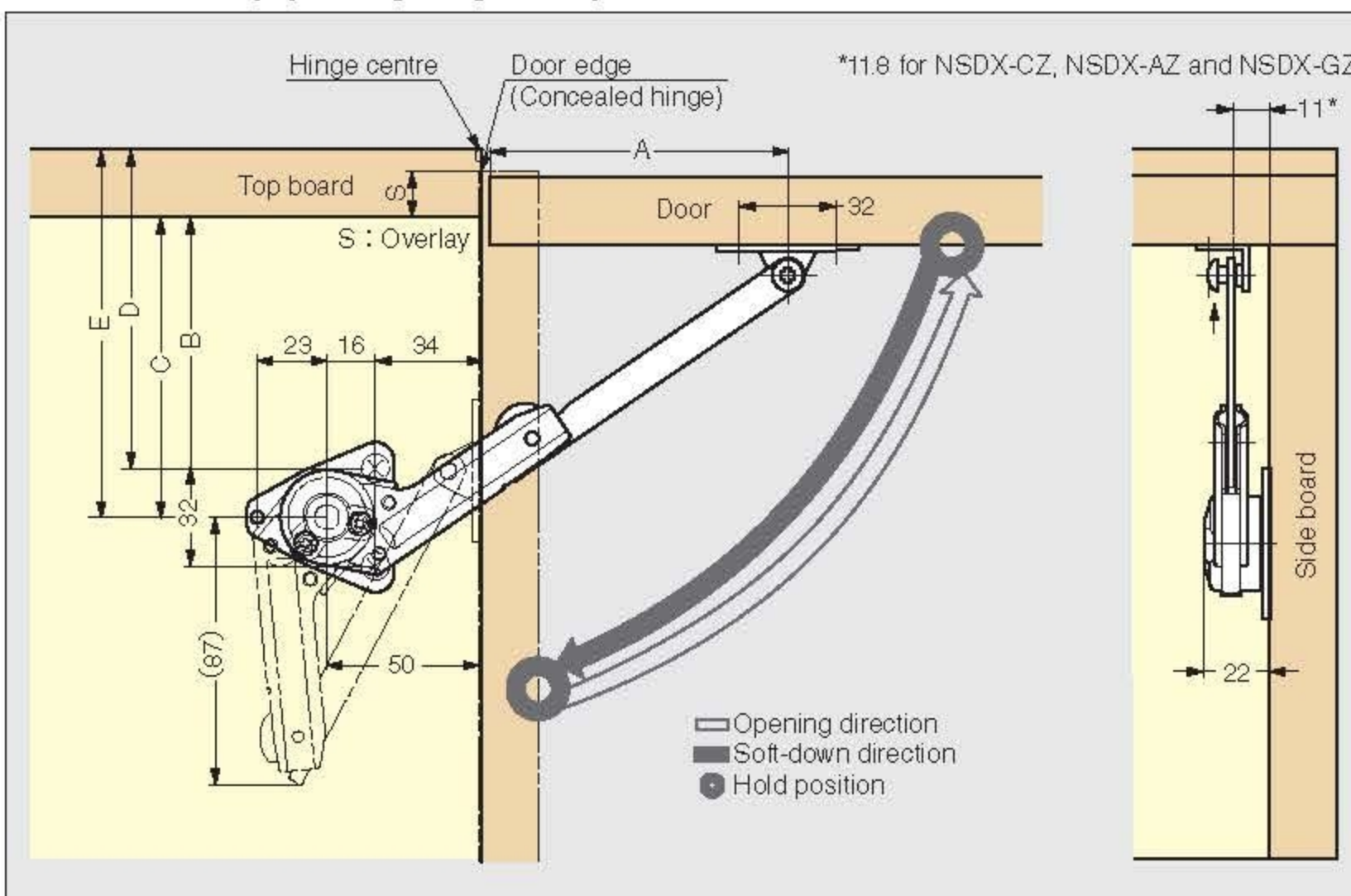
- With 1 stay
Torque = 1.96~ 6.86 N · m (20~ 70 kgf · cm)
- With 2 stays, the torque will be doubled.

■Sold Separately

- ① Mounting plate NSDX-SZ (below)
- ② Mounting plate NSDX-CZ (P.522)
- ③ Mounting plate NSDX-AZ for 20 mm aluminium frame (P.522)
- ④ Mounting plate NSDX-GZ for glass door (P.522)
- ⑤ SDS-50G for glass door (P.522)



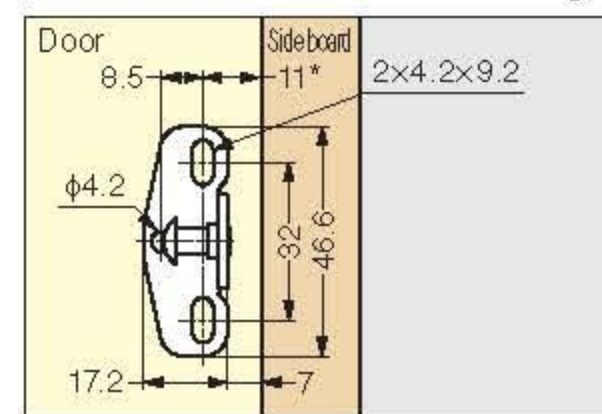
■Installation (Opening Angle 90°)



Hinge Type		A	B	C	D	E
80° opening	Concealed Hinge	106	105 -S	121-S	-	-
	Single Knuckle Hinge	100	-	-	99	115
90° opening	Concealed Hinge	98	97 -S	113-S	-	-
	Single Knuckle Hinge	91.5	-	-	90.5	106.5
100° opening	Concealed Hinge	92.5	91.5-S	107.5-S	-	-
	Single Knuckle Hinge	85	-	-	84	100

S = Overlay

■Installation for Mounting Plate



■Body

Item Code	Item Name	L/R	Material	Finish	Torque Moment /piece	Catch Function		Weight	Box	Carton
						Opened Position	Closed Position			
180-109-028	NSDX-35R	Right	Zinc Alloy (ZDC), Steel	Nickel	1.96~6.86 N · m (20~ 70 kgf · cm)	○	○	181 g	20 pcs	80 pcs
180-109-029	NSDX-35L	Left	Zinc Alloy (ZDC), Steel	Nickel		○	○	181 g	20 pcs	80 pcs
180-109-026	NSDX-35R 2S	Right	Zinc Alloy (ZDC), Steel	Nickel	1.96~4.9 N · m (20~ 50 kgf · cm)	○	○	181 g	20 pcs	80 pcs
180-109-027	NSDX-35L 2S	Left	Zinc Alloy (ZDC), Steel	Nickel		○	○	181 g	20 pcs	80 pcs

■Mounting Plate (Sold Separately)

Item Code	Item Name	Type	Weight	Box	Carton
180-109-032	NSDX-SZ	Screw on	14 g	160 pcs	640 pcs

■SDS Face Plate (Sold Separately)

※ Please use with NSDX-GZ mounting plate.

Item Code	Item Name	Material	Finish/Colour	Weight	Box	Carton
180-100-260	SDS-50G-CR	Zinc Alloy (ZDC)/ABS	Chrome/Black	25 g	50 pcs	200 pcs
180-928-046	SDS-50G-BL	Zinc Alloy (ZDC)/ABS	Black	25 g	50 pcs	200 pcs