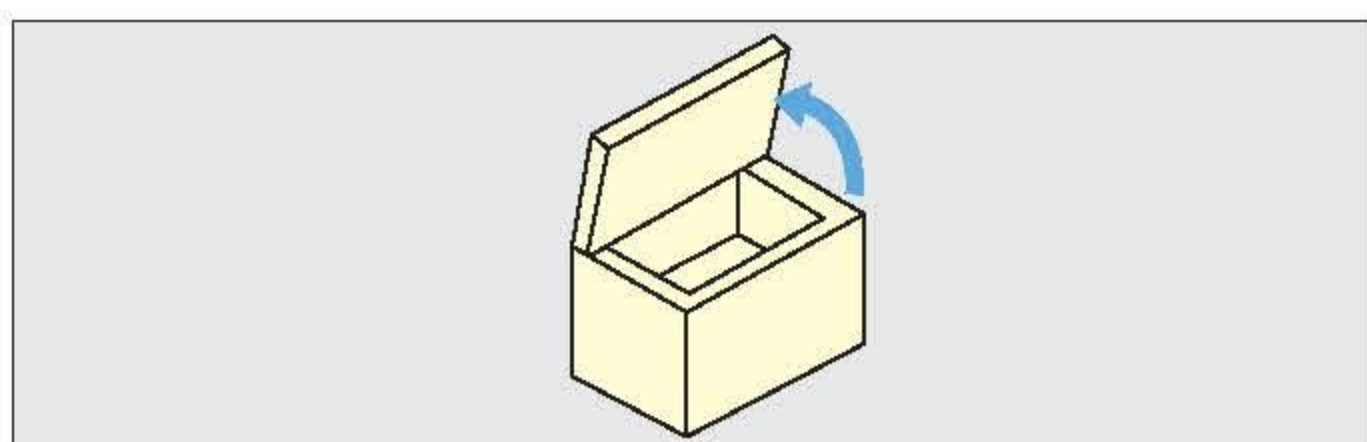


ADJUSTABLE SOFT-DOWN STAY



NSDX-20 (R/L)



■ Features

- For top-opening doors.
- Can be used with concealed, piano, or butt hinges.
- Designed to hold the door in fully opened position.
- Opening angle 70° or 105°.
- Successfully passed for the 30,000 open/close private cycle test.
- Closing speed adjustable.

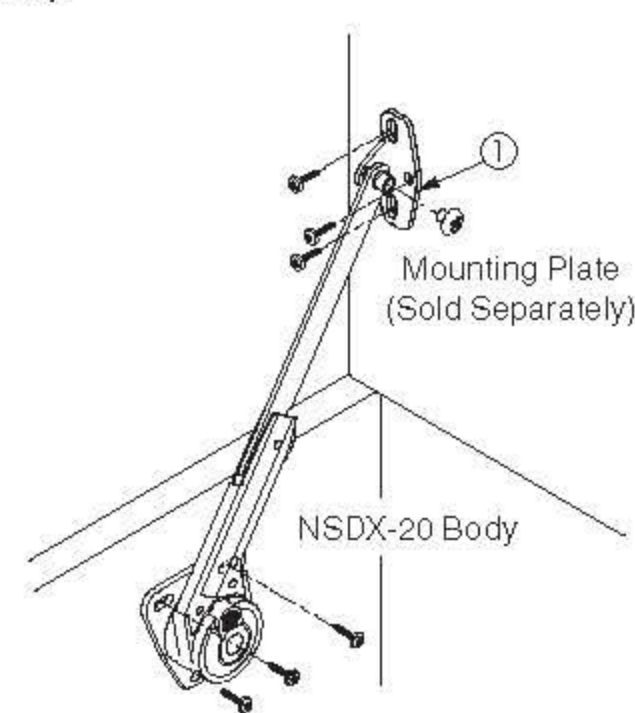
■ Torque

- With 1 stay
Torque = 1.96~6.86 N · m (20~70 kgf · cm)
- With 2 stays, the torque will be doubled.

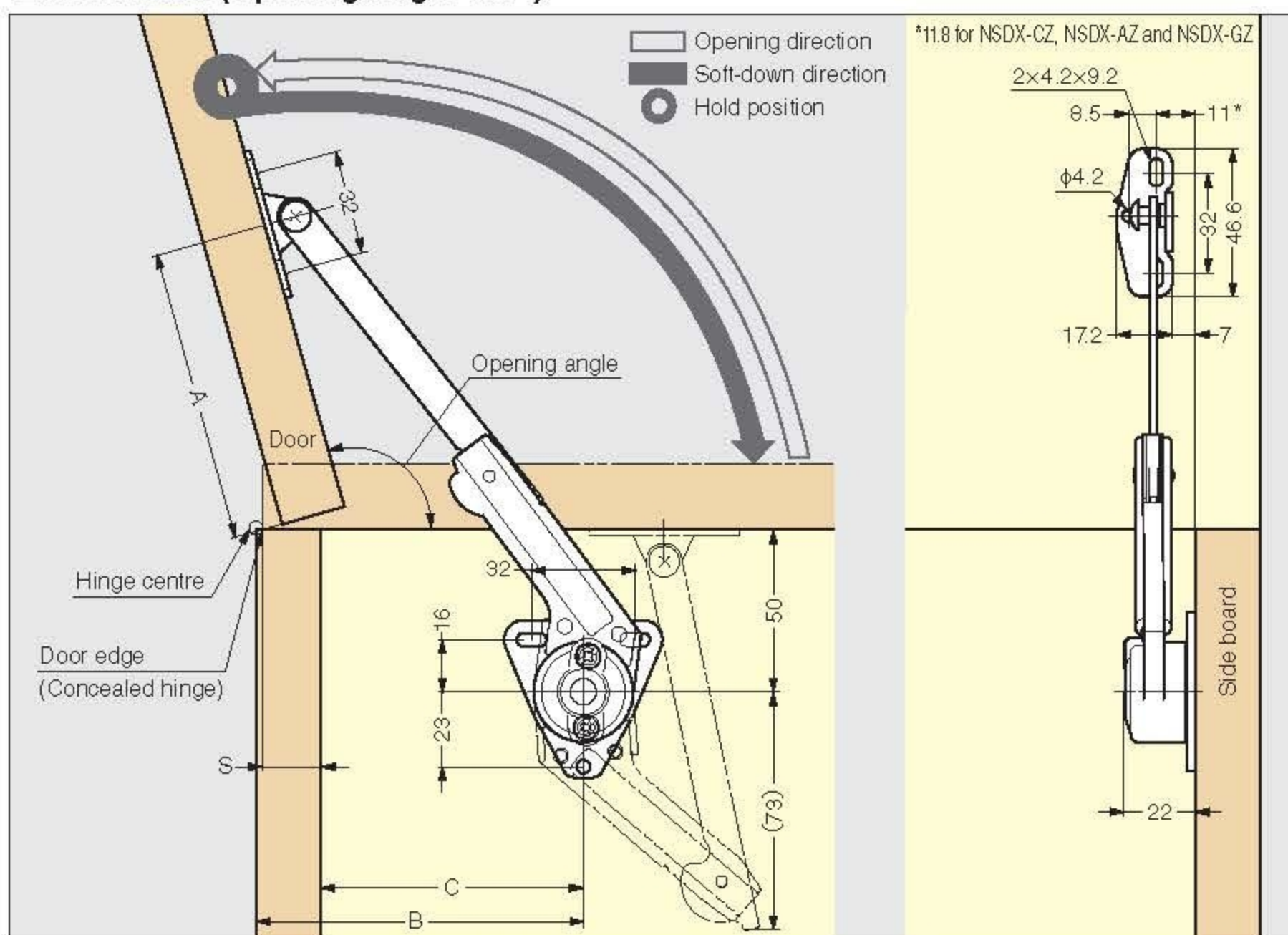
$$\text{Torque} = \text{Door weight (kg)} \times 9.8 \times \text{Length from the axis to the centre of gravity of the door (m)}$$

■ Sold Separately

- ① Mounting plate NSDX-SZ (below)
- ② Mounting plate NSDX-CZ (P.522)
- ③ Mounting plate NSDX-AZ for 20 mm aluminium frame (P.522)
- ④ Mounting plate NSDX-GZ for glass door (P.522)
- ⑤ SDS-50G for glass door (P.522)



■ Installation (Opening Angle 105°)



Hinge Type		A	B	C
70° opening	Concealed Hinge	126	—	101-S
	Single Knuckle Hinge	125	100	—
105° opening	Concealed Hinge	103	—	78-S
	Single Knuckle Hinge	97	72	—

S = Overlay

■ Body

Item Code	Item Name	L/R	Material	Finish	Torque Moment /piece	Catch Function		Weight	Box	Carton
						Opened Position	Closed Position			
180-109-481	NSDX-20R	Right	Zinc Alloy (ZDC), Steel	Nickel	1.96~6.86 N · m	○	×	181 g	20 pcs	80 pcs
180-109-480	NSDX-20L	Left	Zinc Alloy (ZDC), Steel	Nickel	(20~70 kgf · cm)	○	×	181 g	20 pcs	80 pcs

■ Mounting Plate (Sold Separately)

Item Code	Item Name	Type	Weight	Box	Carton
180-109-032	NSDX-SZ	Screw on	14 g	160 pcs	640 pcs

■ SDS Face Plate (Sold Separately)

※Please use with NSDX-GZ mounting plate.

Item Code	Item Name	Material	Finish/Colour	Weight	Box	Carton
180-100-260	SDS-50G-CR	Zinc Alloy (ZDC)/ABS	Chrome/Black	25 g	50 pcs	200 pcs
180-928-046	SDS-50G-BL	Zinc Alloy (ZDC)/ABS	Black	25 g	50 pcs	200 pcs