

# ADJUSTABLE SOFT-DOWN STAY



# NSDX-10 (R/L)



### ■Features

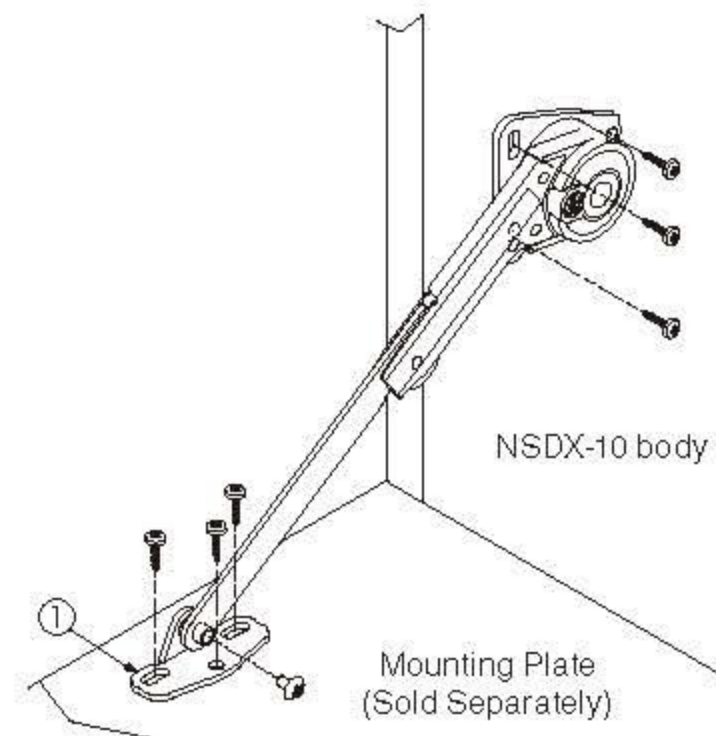
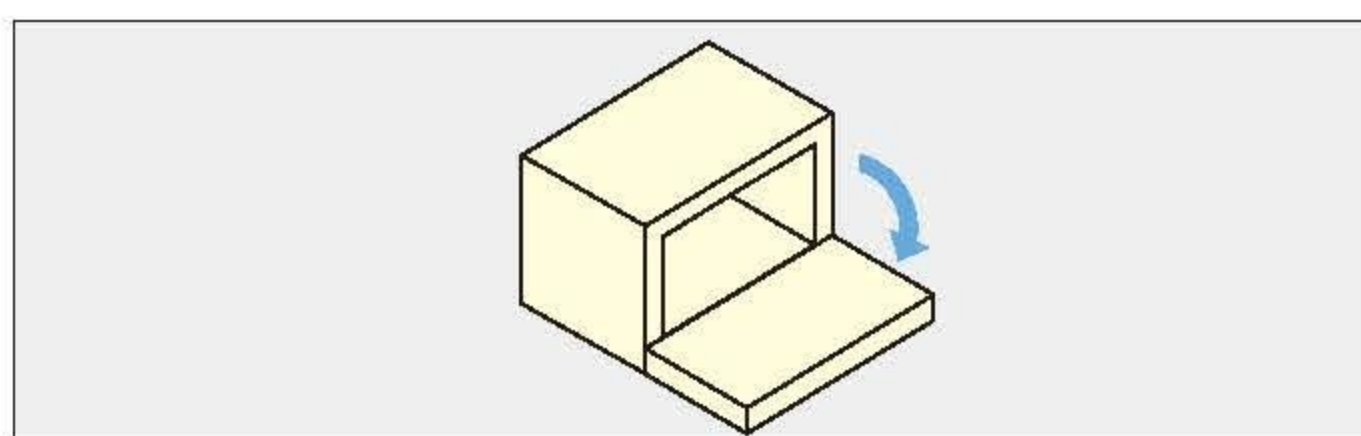
- For downward-opening doors.
- Can be used with piano, butt, or drop hinges.
- Designed to hold the door in closed position.
- Successfully passed for the 30,000 open/close private cycle test.
- Opening speed adjustable.

### ■Torque

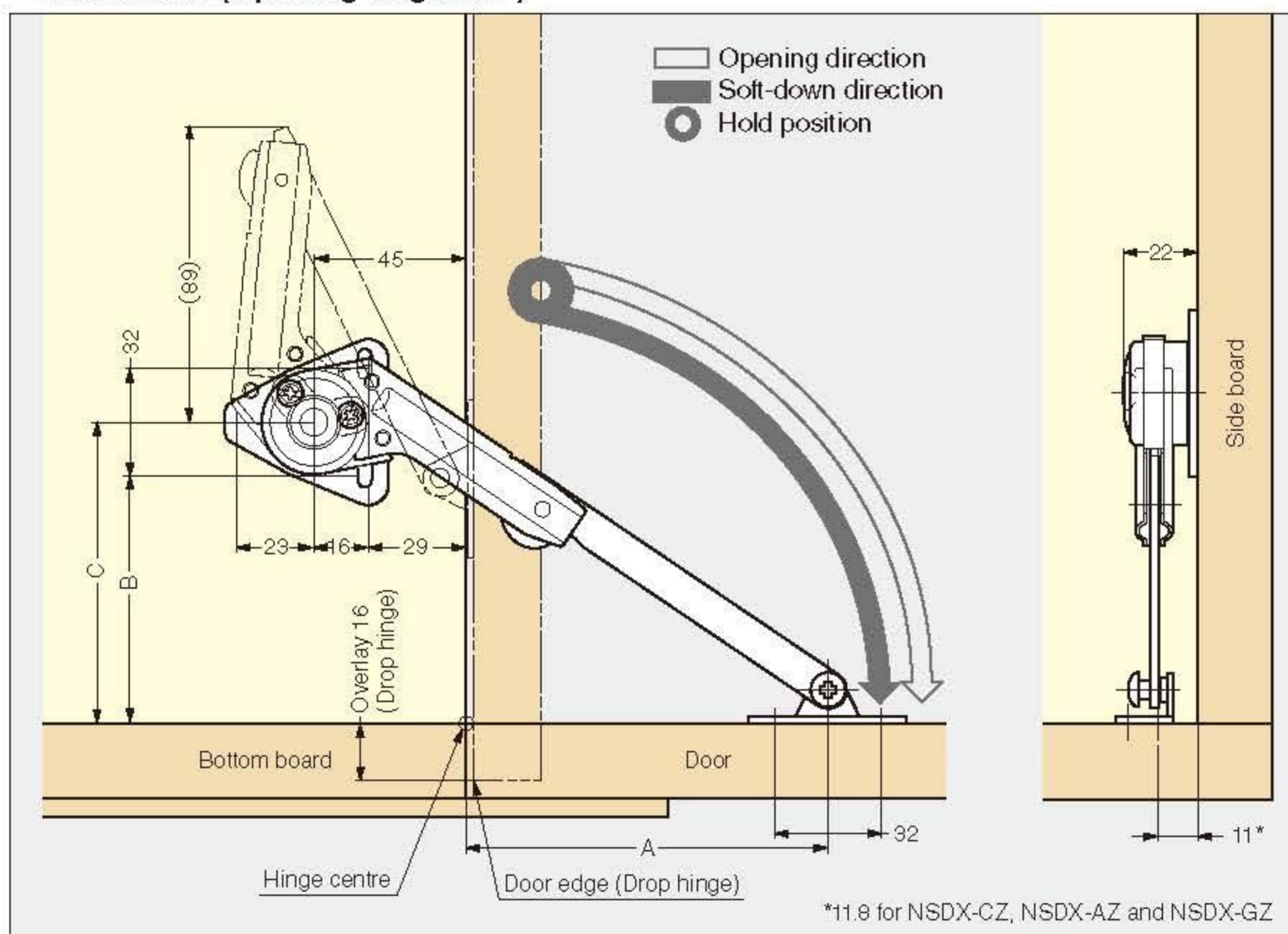
- With 1 stay  
Torque = 1.96~ 6.86 N · m (20~ 70 kgf · cm)
- With 2 stays, the torque will be doubled.

### ■Sold Separately

- ① Mounting plate NSDX-SZ (below)
- ② Mounting plate NSDX-CZ (P.522)
- ③ Mounting plate NSDX-AZ for 20 mm aluminium frame (P.522)
- ④ Mounting plate NSDX-GZ for glass door (P.522)
- ⑤ SDS-50G for glass door (P.522)



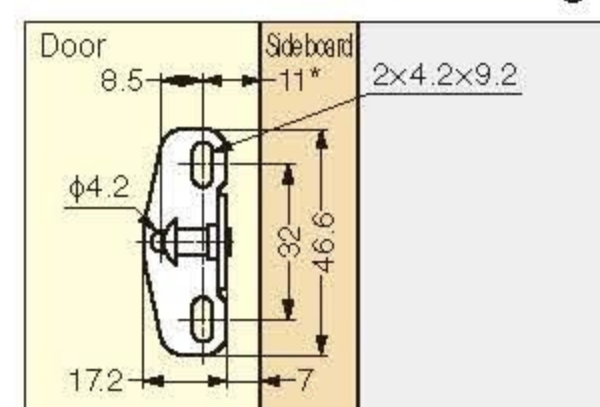
### ■Installation (Opening Angle 90°)



Hinge Type	A	B	C
Drop Hinge (SDH-001)	97 ※ <sup>1</sup>	91	107
Drop Hinge (SDH-P)	98 ※ <sup>2</sup>	88	104
Single Knuckle Hinge	90	99	115

- ※<sup>1</sup>: In case overlay 16 mm.
- ※<sup>2</sup>: In case overlay 19 mm.

### ■Installation for Mounting Plate



### ■Body

Item Code	Item Name	L/R	Material	Finish	Torque Moment /piece	Catch Function		Weight	Box	Carton
						Opened Position	Closed Position			
180-109-008	NSDX-10R	Right	Zinc Alloy (ZDC), Steel	Nickel	1.96~6.86 N · m	×	○	181 g	20 pcs	80 pcs
180-109-009	NSDX-10L	Left	Zinc Alloy (ZDC), Steel	Nickel	(20~ 70 kgf · cm)	×	○	181 g	20 pcs	80 pcs

### ■Mounting Plate (Sold Separately)

Item Code	Item Name	Type	Weight	Box	Carton
180-109-032	NSDX-SZ	Screw on	14 g	160 pcs	640 pcs

### ■SDS Face Plate (Sold Separately)

※Please use with NSDX-GZ mounting plate.

Item Code	Item Name	Material	Finish/Colour	Weight	Box	Carton
180-100-260	SDS-50G-CR	Zinc Alloy (ZDC)/ABS	Chrome/Black	25 g	50 pcs	200 pcs
180-928-046	SDS-50G-BL	Zinc Alloy (ZDC)/ABS	Black	25 g	50 pcs	200 pcs