

CAPACITY/DOOR: 40 kg (MA 40)
80 kg (MA 80)

TRACK : ALUMINIUM

MOVEMENT : STRAIGHT

An aluminium sliding system for interior applications, easy to install.

SILENT :

Our new rollers have been designed and tested to offer and guarantee an unequalled rolling comfort.

SIMPLE AND SMART :

New soft-stopper device combining the functions of both damper and stop. Offers an easy installation since this single item is directly fitted into the tracks.



COMPLETE SETS FOR DOORS UP TO 40 KG :

Item NR	DESCRIPTION	
MA40-165	Set including : - 1 aluminium track drilled every 0.44 m - 1.65 m. long - 2 rollers (with ball bearings and polyamide wheels) - 2 stops - 2 plates 10036 - 1 guide 1103 - screws and assembly instructions + spirit level Buly®	10
MA40-190	ditto with a track in 1.90 m. length	10
MA40-240	ditto with a track in 2.40 m. length	10

COMPLETE SETS FOR DOORS UP TO 80 KG :

MA80-165	Set including : - 1 aluminium track drilled every 0.44 m - 1.65 m. long - 2 rollers (with ball bearings and polyamide wheels) - 2 stops - 2 plates 10036 - 1 guide 1103 R - screws and assembly instructions + spirit level Buly®	10
MA80-190	ditto with a track in 1.90 m. length	10
MA80-240	ditto with a track in 2.40 m. length	10

ACCESSORIES

Item NR	DESCRIPTION	
11213 S40	hydraulic door closer stop for doors up to 40 KG (MA 40)	10
11213 S80	hydraulic door closer stop for doors up to 80 KG (MA 80)	10
2528	Angle plate for wall-fixing of the MA 40 track, supplied with screws, nut and washer. Height = 17 mm - Length = 22 mm - Thickness 18/10.	25
3538 D	Angle plate for wall-fixing of twinned tracks MA 40. Height = 34 mm - Length = 62 mm - Thickness 30/10.	
2529	Reinforced angle plate for wall-fixing of the MA 80 track, supplied with screws, nut and washer. Height = 23 mm - Length = 30 mm - Thickness 30/10.	
22	Plate to fix the rollers. Mortising type.	10
1084	End stop with rubber buffer - Screwing type	10

SOFT CLOSE DAMPER

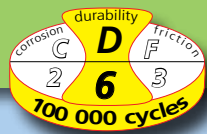
66AFP21	Closer system allowing smooth door closing. The damper automatically close the door up to its closed position. Available for doors weighing up to 40kg. Only one damper per door (either in the opening or in the closing).
66AFP22	Ditto for doors weighing up to 80 KG

COMPLETE SET MA 40

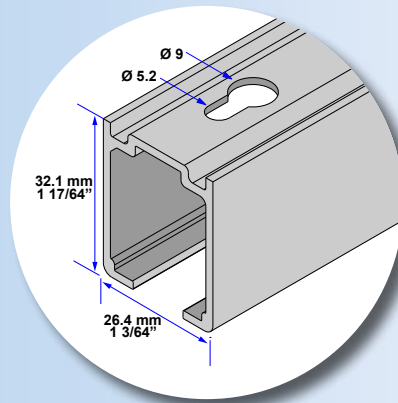


COMPLETE SET MA 80

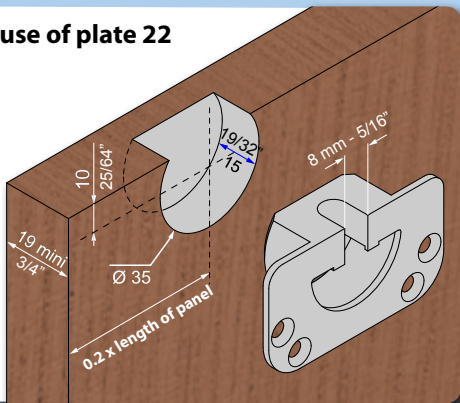




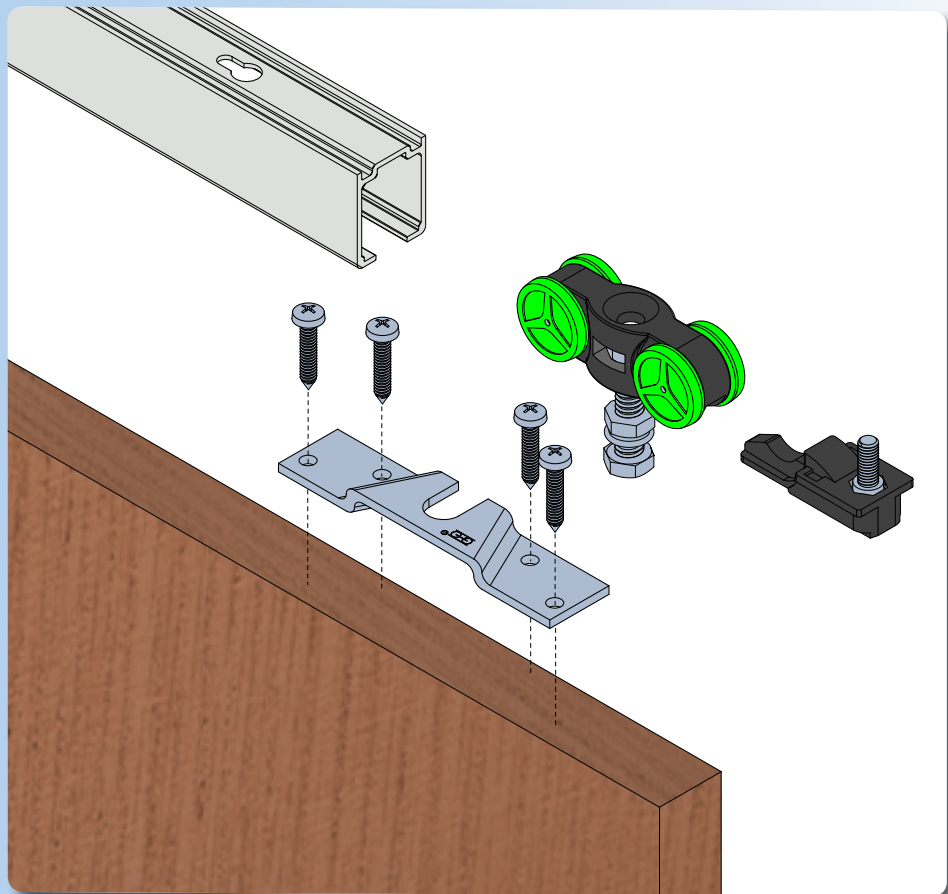
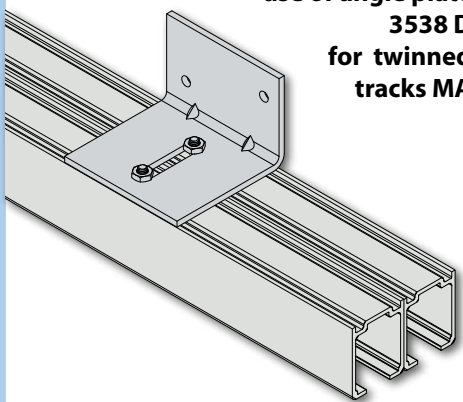
MA 40® - MA 80®



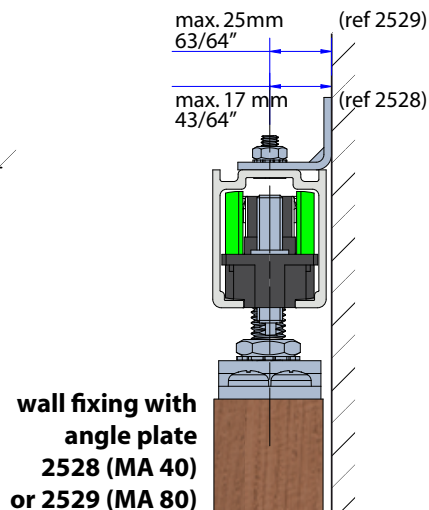
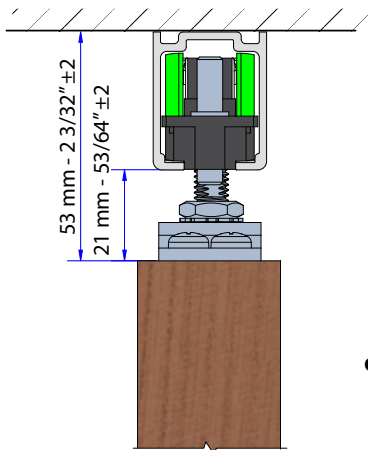
use of plate 22



use of angle plate 3538 D for twinned tracks MA



mounting with soffit fixing



mounting with guide 1103 (MA 40)

mounting with guide 1103 R (MA 80)

