

SELF CLOSING SLIDE DOOR SYSTEM



LM-80



Door Weight	30-80 kg/Door
Door Thickness	28-40 mm
Door Width	700-1200 mm
Door Travel	Max. 1100 mm (In Case of Door Width 1200 mm)

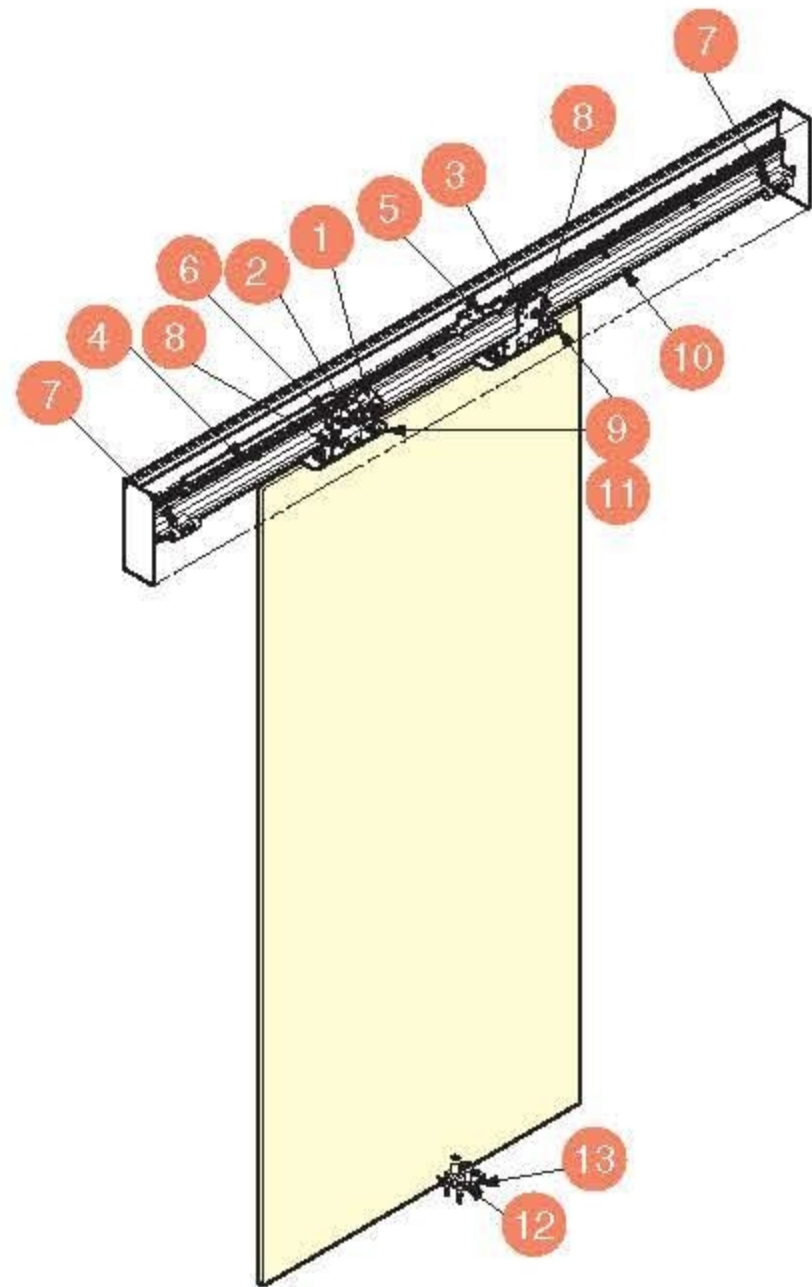
■ Features

- Self closing slide door system. No electricity required.
- Equipped with damper for smooth and soft closing, eliminating slamming.
- Door catch included to hold door in fully open position.
- Damping speed adjustable for best soft closing.

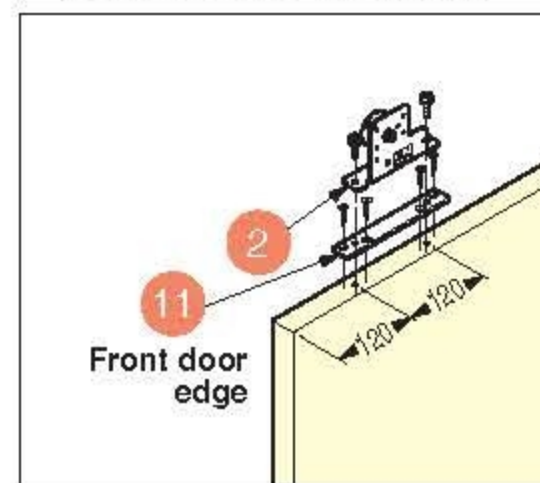
■ Remarks

- Please secure enough clearance between door and rail cover.
- Rail cover for door of Max. 32 mm thickness is available upon request.

Video Link

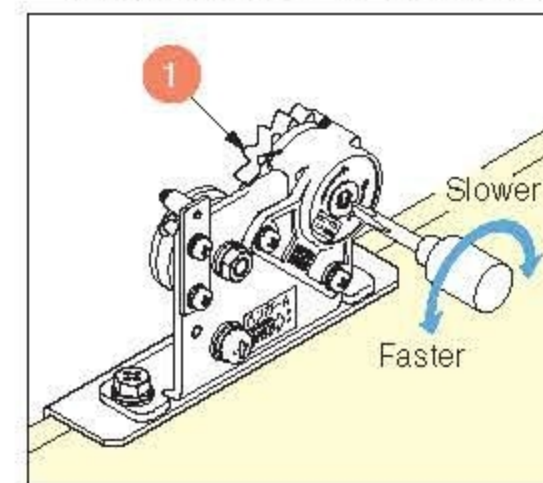


■ Installation of Roller

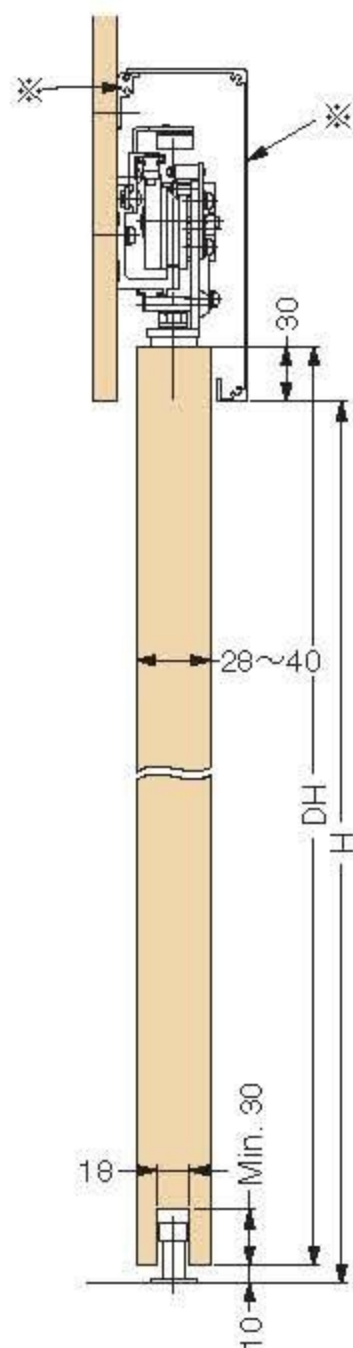


Roller brackets for solid phenolic panel and wooden door included.

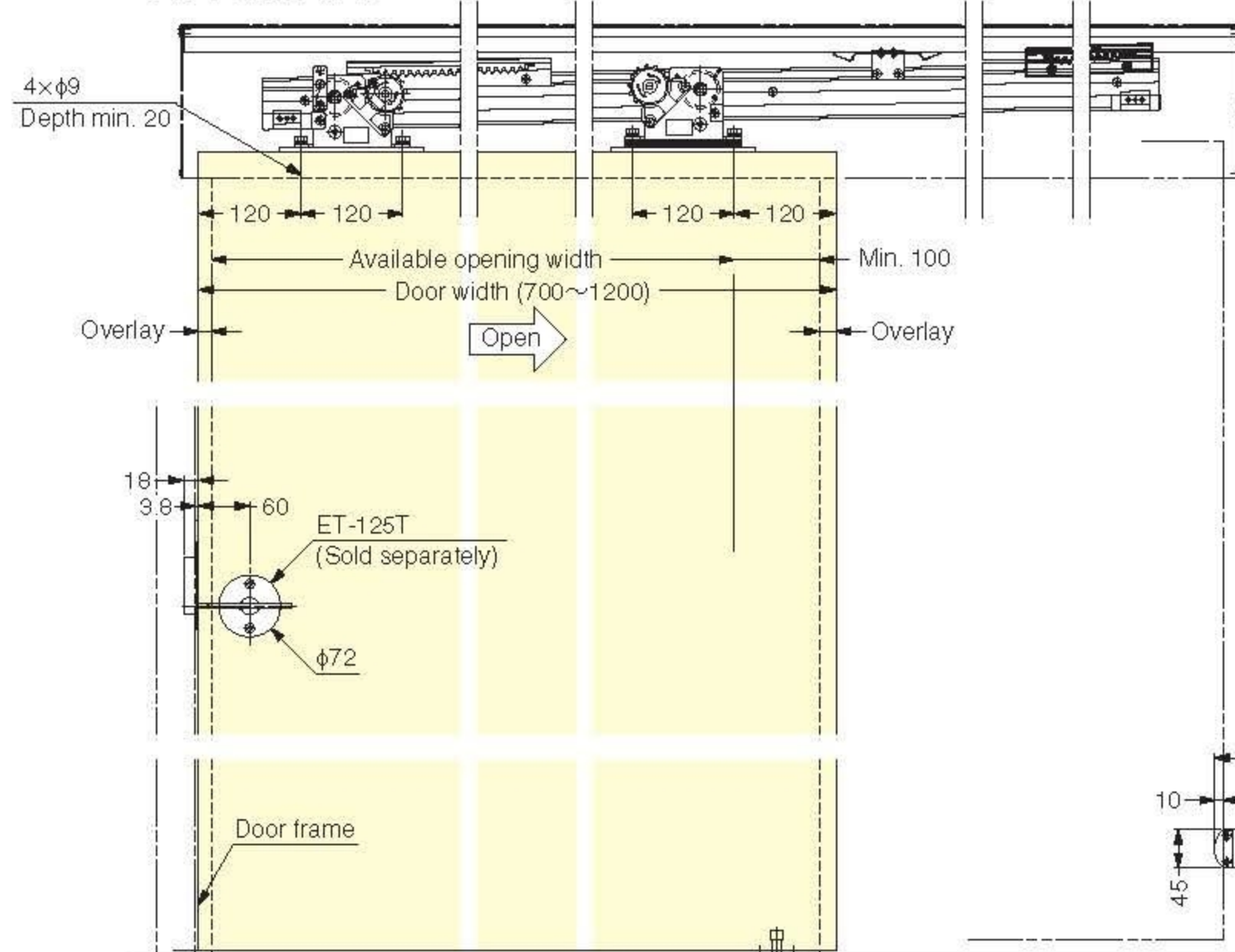
■ Adjustment of Closing Speed



※Not included.



For wooden door



Parts Set (Per Door) Necessary Parts

Item Code	Item Name
250-010-613	LM-80

Parts Included

No.	Qty	Part Name	Dimensions	Description
1	1 pc	Damper		Item Code : 280-188-561 Item No. : SC-C08 ●Material POM ●Colour Black
2	1 pc	Roller A		●Material Steel / POM ●Finish Yellow Zinc Chromate / White
3	1 pc	Roller B		●Material Steel / POM ●Finish Yellow Zinc Chromate / White
4	1 set	Gear Rack		Item Code : 280-188-560 Item No. : SC-C07 ●Material Aluminium Alloy ●Finish Plain
5	1 pc	Spring		●Material Steel / Spring Steel ●Finish Yellow Zinc Chromate / Plain
6	1 pc	Stopper Roller		●Material Steel ●Finish Chromate
7	2 pcs	Door Stopper		●Material Stainless Steel
8	2 pcs	Stopper Plate		●Material Steel ●Finish Chromate
9	t=1 : 15 pcs t=0.5 : 1 pc	Height Adjustment Spacer		●Material Steel ●Finish Plain
10	1 pc	Upper Rail		●Material Aluminium Alloy ●Finish Anodized
11	2 pcs	Roller Bracket		●Material Steel ●Finish Chromate
12	1 pc	Bottom Roller Guide		●Material Stainless Steel / Polyacetal (POM)
13	2 pcs	Anchor 6×30		●Material Polyamide (PA) ●Colour Grey

Optional Parts

No.	Item Code	Part Name	Dimensions	Description
	280-189-066	Door Stopper		●Material Zinc Alloy (ZDC) & Rubber ●Finish Satin Chrome
14	162-811			

Installation of Door Stopper

