



SYMBOLS AND FINISHES LEGEND

SYMBOLS



= SHELF SAFELY LOCKED DURING TRANSPORTATION AND AT HOME.



= ANTI-TURNOVER LOCKING SYSTEM



= NORMS / PATENTS



= PHILLIPS / POZIDRIV



= NEWTON



= PART.NO



= HEXAGONAL SOCKET



= FRICTION



= PCS. PER PACKAGE



= BLADE SLOT



= AUTOMATIC



= COMBI SLOT



= DROP DOWN



= CAPACITY LOADING



= COUNTERSUNK HEAD



= WOOD / GLASS THICKNESS



= PAN HEAD



= STANDARD HINGE



= HOLE DIAMETER



= FLANGE HEAD



= KIMANA HINGE



= DIAMETER



= FLAT HEAD



= FLAP HINGE



= LENGTH



= TRILOBULAR SCREW



= WITH SPRING



= HEIGHT



= SELF-TAPPING SCREW



= WITHOUT SPRING



= RIGHT VERSION



= EURO THREAD



= REVERSED SPRING



= LEFT VERSION



= METRIC THREAD



= SETTING CODE



= PRE-INSERTED SCREW



= FOR ROUND TUBE



= PCS. PER PAD



= PRE-INSERTED SCREW AND SPREADING BUSH



= FOR OVAL TUBE



= CUT ON REQUEST



= WITH BUFFER



= SELF ADHESIVE



= WITH MAGNET



= WITH FLANGE

NOTE: Printing errors and omissions may exist despite our best efforts to ensure accuracy. We reserve the right to alter specifications without notice.

MATERIALS

ZA = Zinc Alloy	ST = Steel	HSS = High Speed Steel	BR = Brass	ABS = Acrylonitrile Butadiene Styrene
ZAnk = Nickel-plated Zinc Alloy	STzk = Zinc-plated Steel	AL = Aluminium	WD = Wood	EVA = Ethylene Vinyl Acetate

EP = **ENGINEERING PLASTIC**

+ **EP** = other engineering plastic available on request

SR = **SOFT RUBBER**

+ **SR** = other soft rubber available on request

EPn = Natural Engineering Plastic	EPc = Clear Engineering Plastic	SRn = Natural Soft Rubber
EPw = White Engineering Plastic	EPg = Grey Engineering Plastic	SRw = White Soft Rubber
EPwg = Water Green Engineering Plastic		SRb = Black Soft Rubber



FINISHES

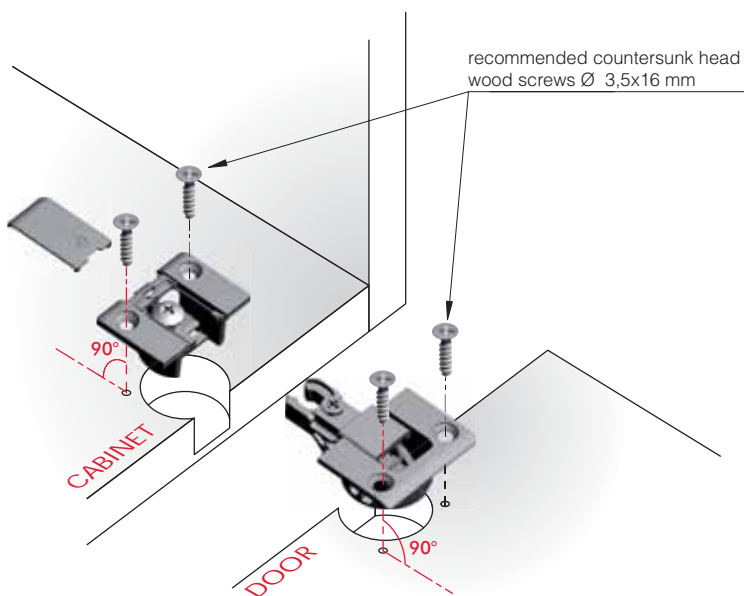


+ = OTHER FINISHES AVAILABLE ON REQUEST

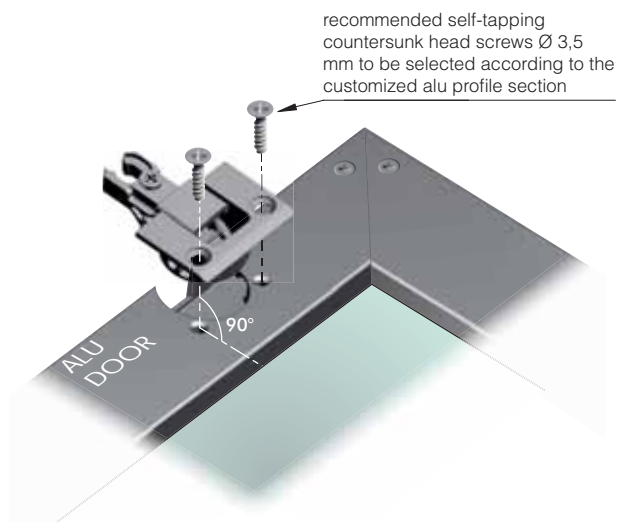
AA	Natural	JB	Bright Aluminium	QB	Walnut
AB	White	JC	Aluminium - Chrome	RO	Red
AC	Opal White	JD	Matt Aluminium	UZ	T -Met
AE	White 9010	JE	Satin-finished Aluminium	WA	Bronzed
AK	Champagne	JF	Aluminium - Brass	WI	Burnished
AL	Ivory	JG	Aluminium 5	XD	Satin-finished Steel
EA	Black	JL	Aluminium PE 11	YA	Nickel-plated
EB	Glossy Black	JM	Aluminium RAL 9006	YB	Bright Nickel-plated
EC	Matt Black	KA	Chrome	YC	Matt Nickel-plated
EE	Anthracite	KB	Bright Chrome	YD	Satin-finished Nickel-plated
FU	Gunmetal	KC	Matt Chrome	ZA	Zinc alloy
GR	Raw	MA	Brown	ZN	Zinc-plated
HA	Brass-Plated	MB	Light Brown 1	ZQ	Bright Gold
HH	Tropicalized	NN	Metallic Beige	ZY	Titanium
HL	Raw Brass	NO	Beige	ZZ	Clear
IA	Grey	OA	Oak	00	Insignificant finish
IB	Metallic Grey	OZ	Ash		
IF	Middle Grey	PA	Light Ash		
IJ	Light Grey	PZ	Beech		
IL	Grey 20	QA	Maple		



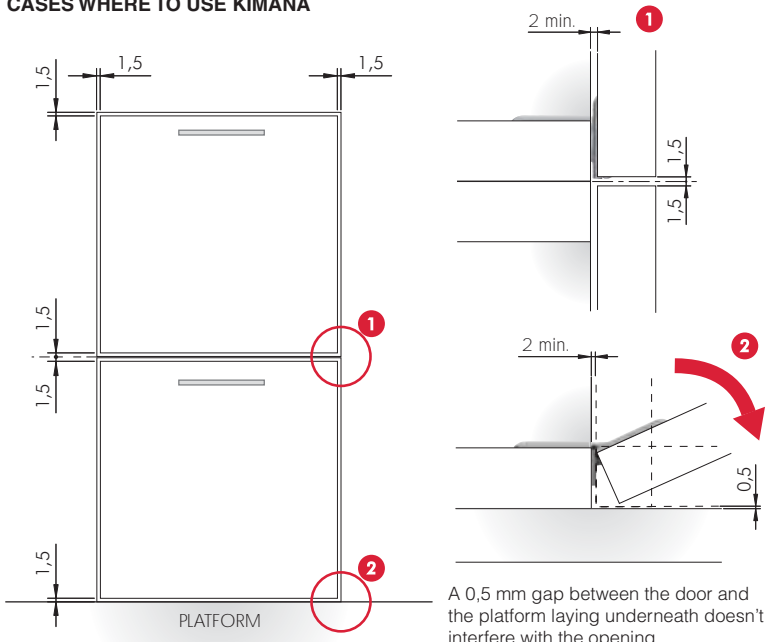
INSTALLATION ON UNIT WITH SOLID DOOR
(Application shown for minimum thickness 18 mm)



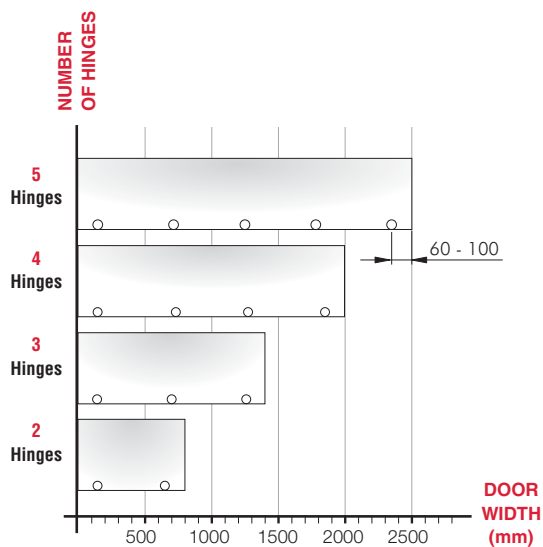
INSTALLATION ON UNIT WITH ALUMINIUM DOOR
(Application shown for minimum thickness 18 mm)



CASES WHERE TO USE KIMANA



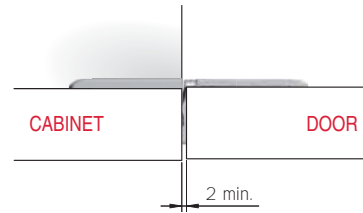
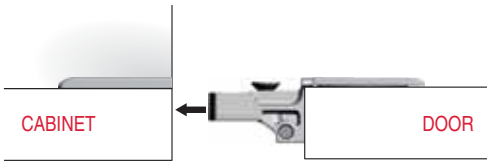
RECOMMENDED NUMBER OF KIMANA PER DOOR



Due to various factors, the quantities stated in the chart are indicative.

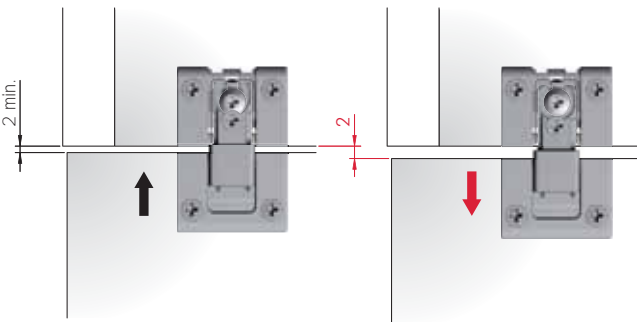


DOOR INSTALLATION



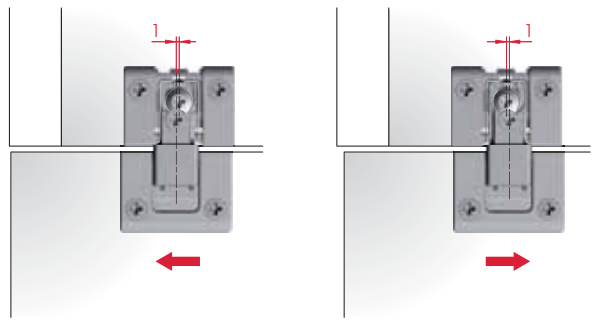
IN-DEPTH ADJUSTMENT 0+2 mm

⚠ TO BE MADE BEFORE LOCKING SCREW OPERATION ⚠



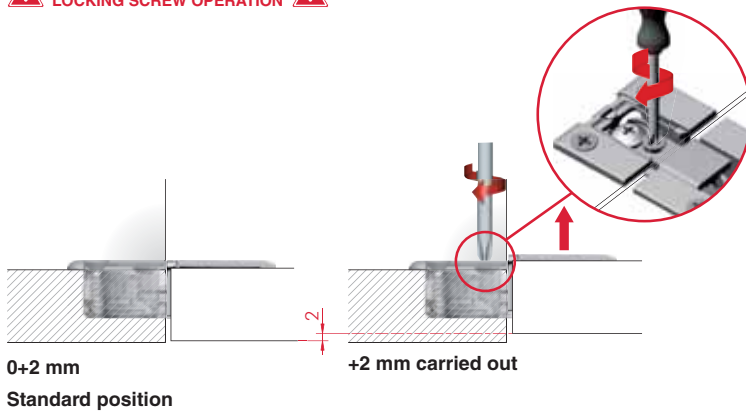
LATERAL ADJUSTMENT 0±1 mm

⚠ TO BE MADE BEFORE LOCKING SCREW OPERATION ⚠

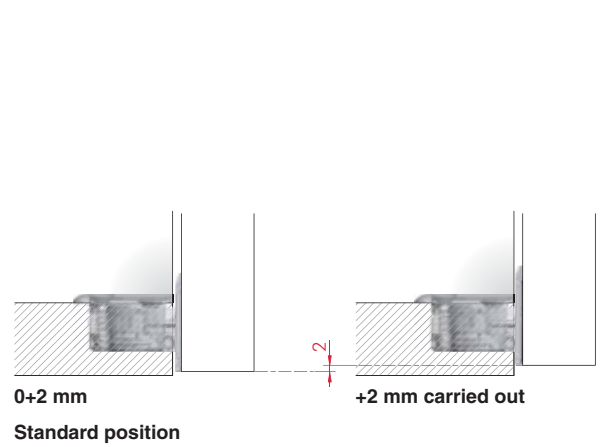


VERTICAL ADJUSTMENT 0+2 mm - DOOR OPEN

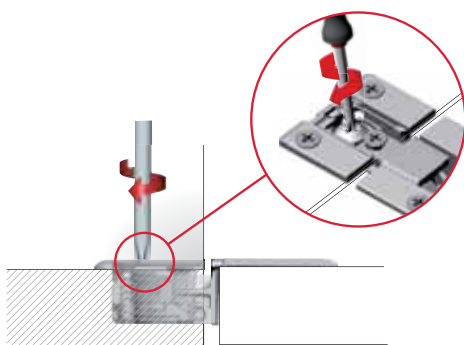
⚠ TO BE MADE BEFORE LOCKING SCREW OPERATION ⚠



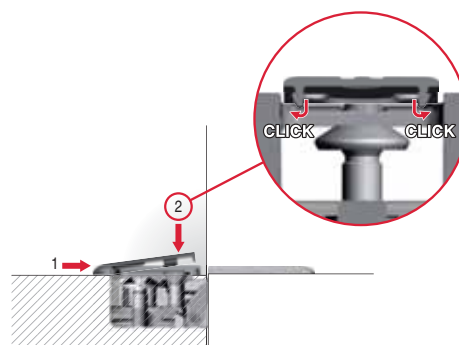
VERTICAL ADJUSTMENT 0+2 mm - DOOR CLOSED



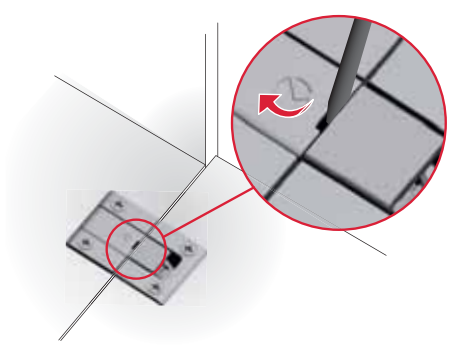
LOCKING SCREW

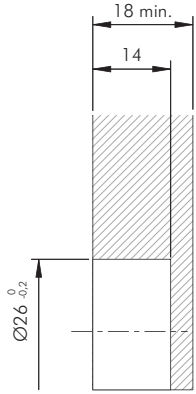


COVER CAP INSERTION

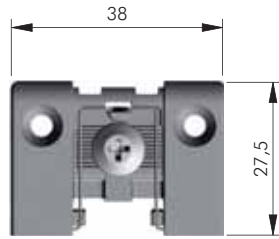
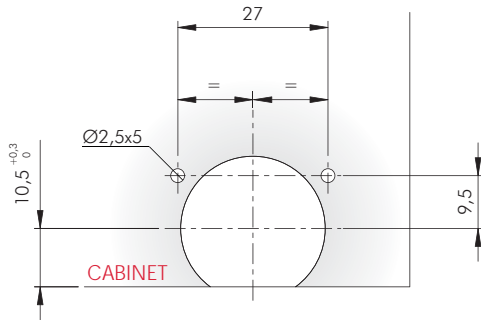


COVER CAP REMOVAL

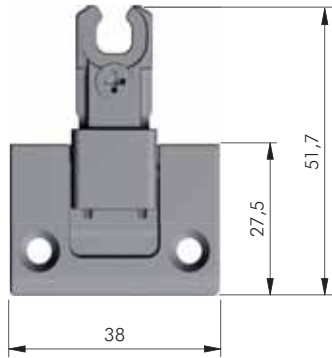




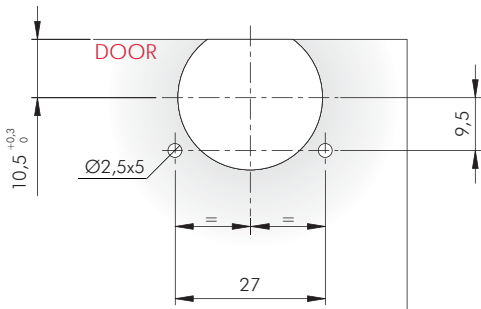
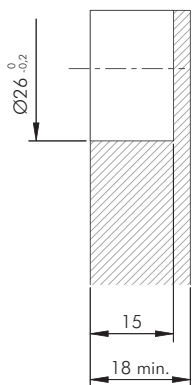
NOTE: For panel thickness lower than 18 mm, refer to "KIMANA ADAPTERS".



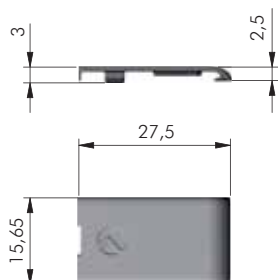
	ZA	ST	= 150 pcs.
	40120000YA		



	ZA	ST	= 150 pcs.
	40120010YA		



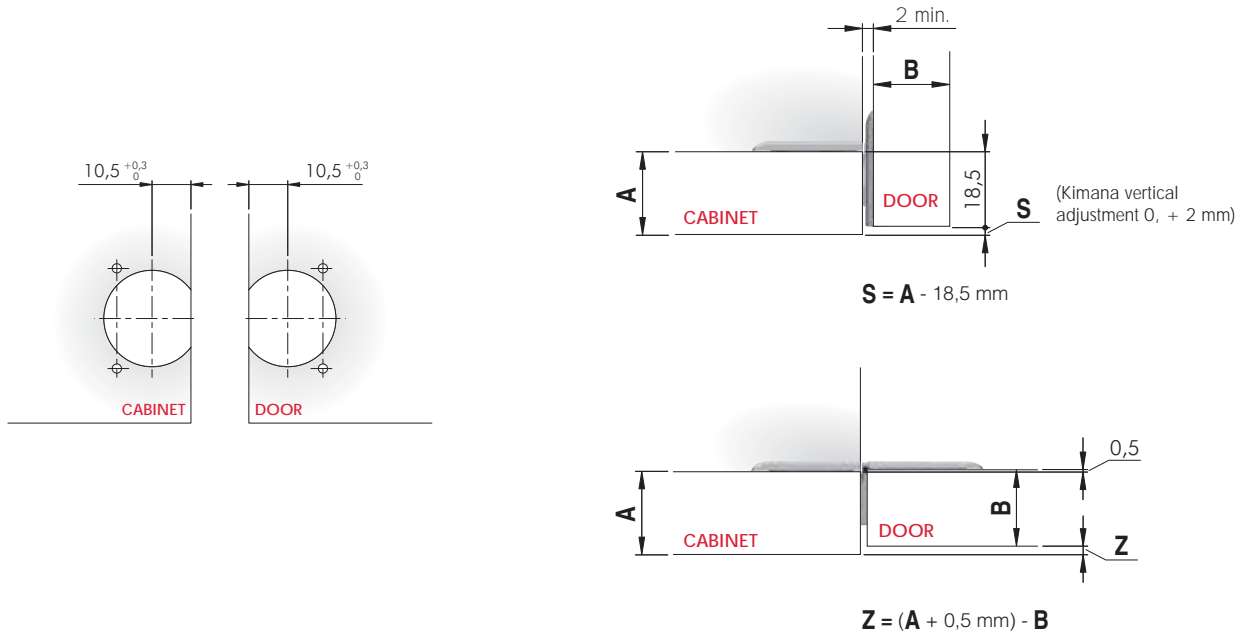
NOTE: For panel thickness lower than 18 mm, refer to "KIMANA ADAPTERS".



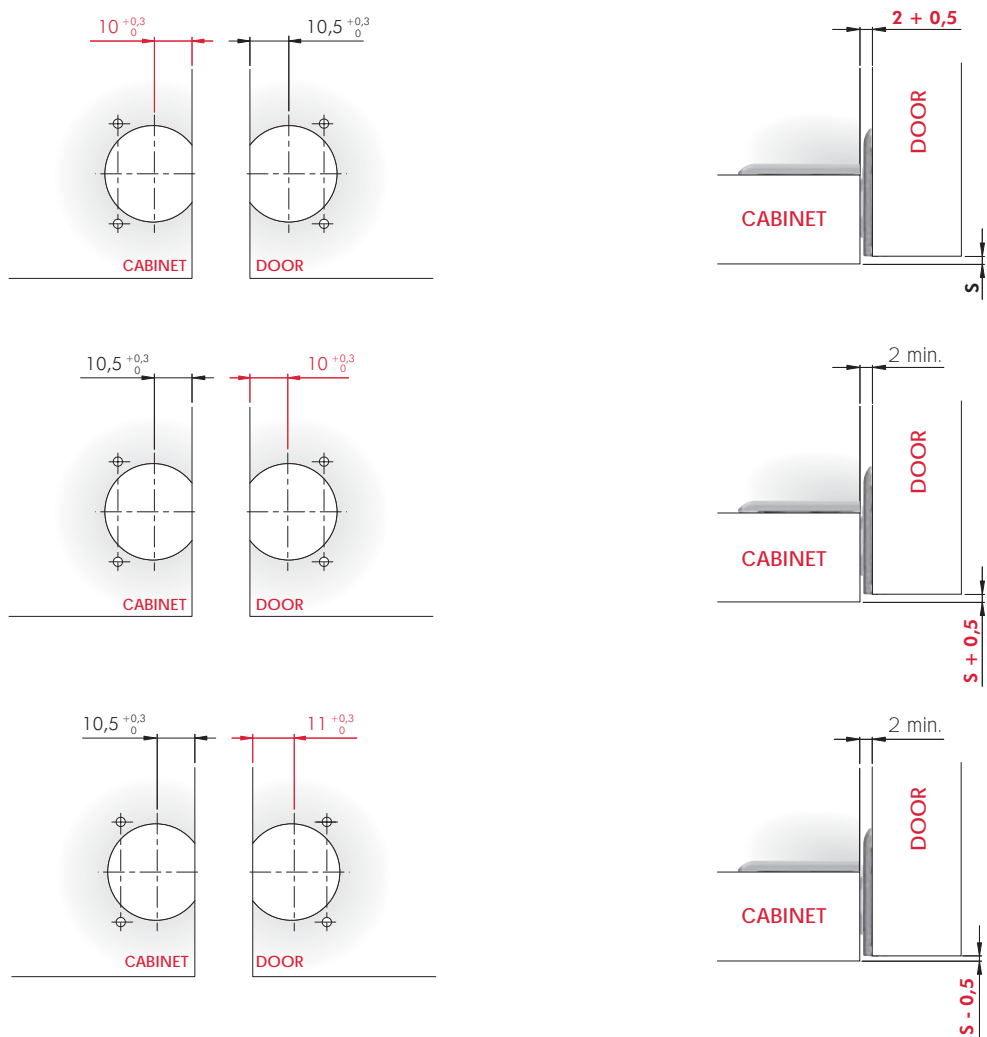
	ZA		= 150 pcs.
	40120040YA		



STANDARD CONDITION



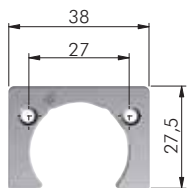
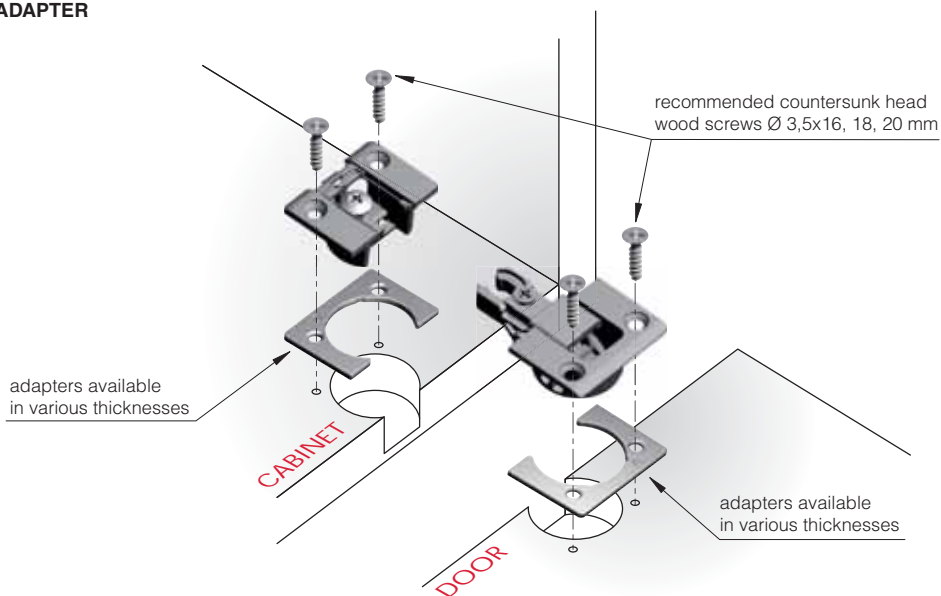
SPECIAL DRILLING PLAN TO MANAGE OVERLAY AND GAP BETWEEN DOOR AND CABINET






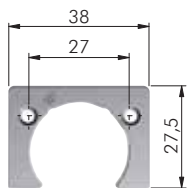





KIMANA ADAPTERS

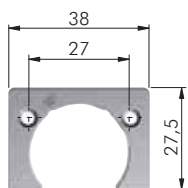
INSTALLATION WITH ADAPTER






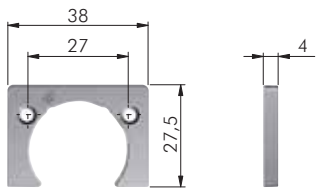
ZA	 = on request
 123	
40115320YA	



ZA	 = on request
 123	
40115340YA	



ZA	 = on request
 123	
40115360YA	

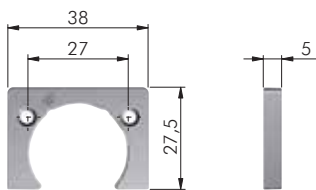


ZA

= on request



40115400YA



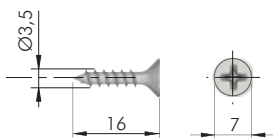
ZA

= on request



40115440YA

FIXING ACCESSORY FOR BOTH KIMANA AND ADAPTERS PART NO. 40115320YA



= Ø 2,5 mm



= PZ2

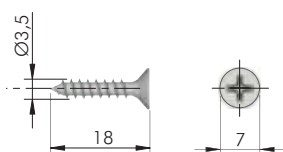
ST

= 10.000 pcs.



60101390YA

FIXING ACCESSORY FOR KIMANA ADAPTERS PART NO. 40115340YA - 40115460YA



= Ø 2,5 mm



= PZ2

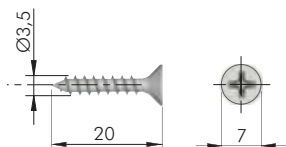
ST

= 10.000 pcs.



60101400YA

FIXING ACCESSORY FOR KIMANA ADAPTER PART NO. 40115400YA



= Ø 2,5 mm



= PZ2

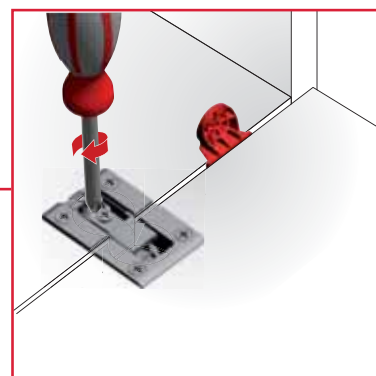
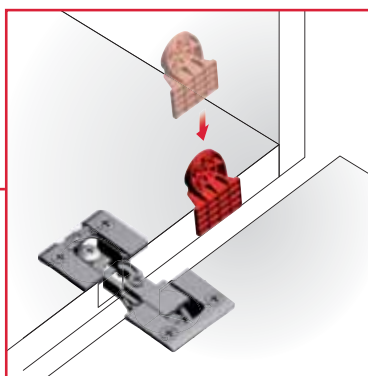
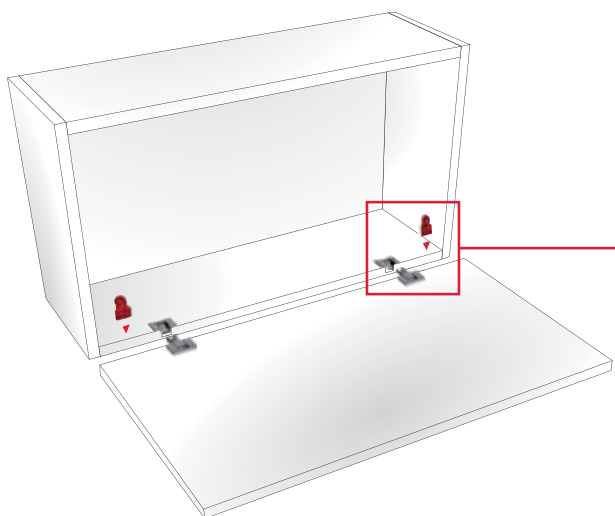
ST

= 10.000 pcs.



60101410YA

DOOR ALIGNMENT SPACER FOR KIMANA HINGES



EP

= on request



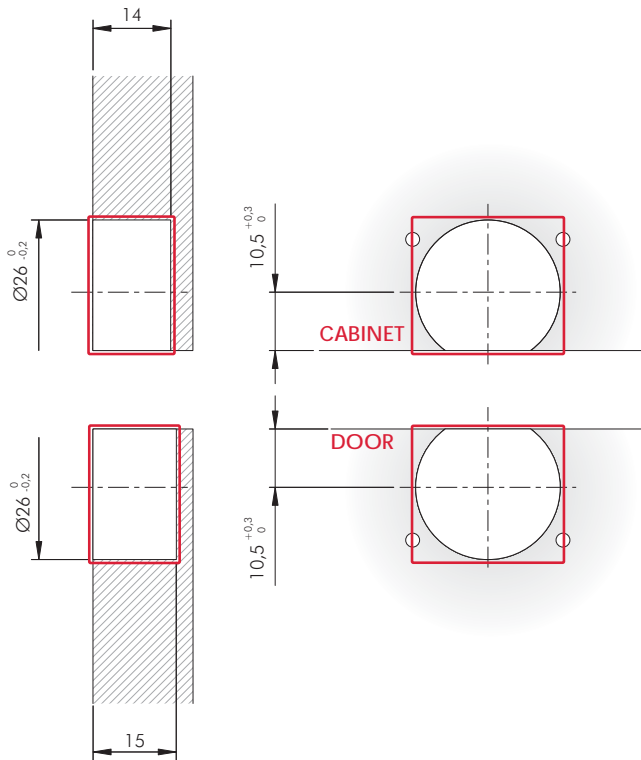
40115630RO




2 pcs featured in each polybag.

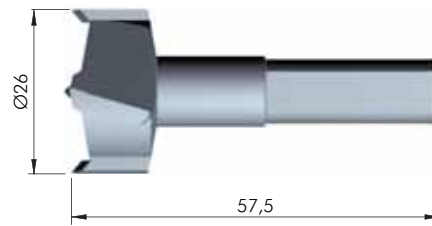
* For non-standard drilling plans 1,5, 2,5, 3 and 4 mm spacers are also available.

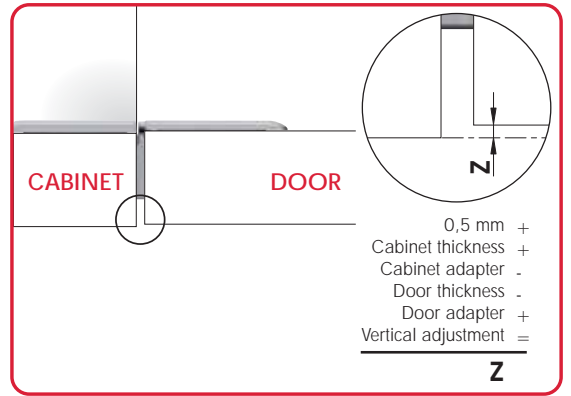
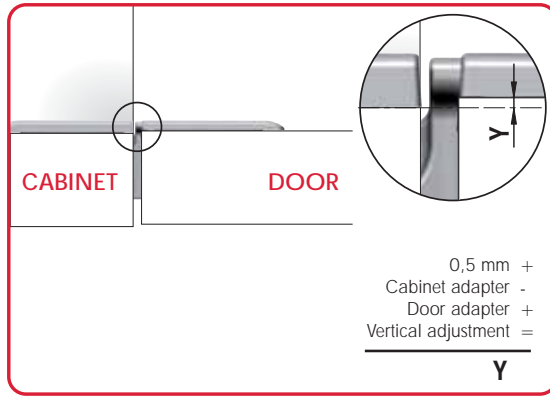
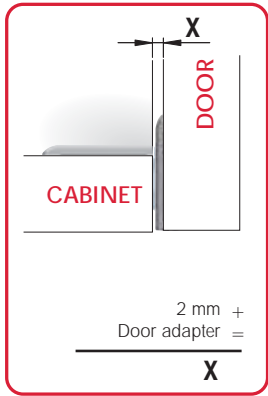


DRILL BIT FOR KIMANA



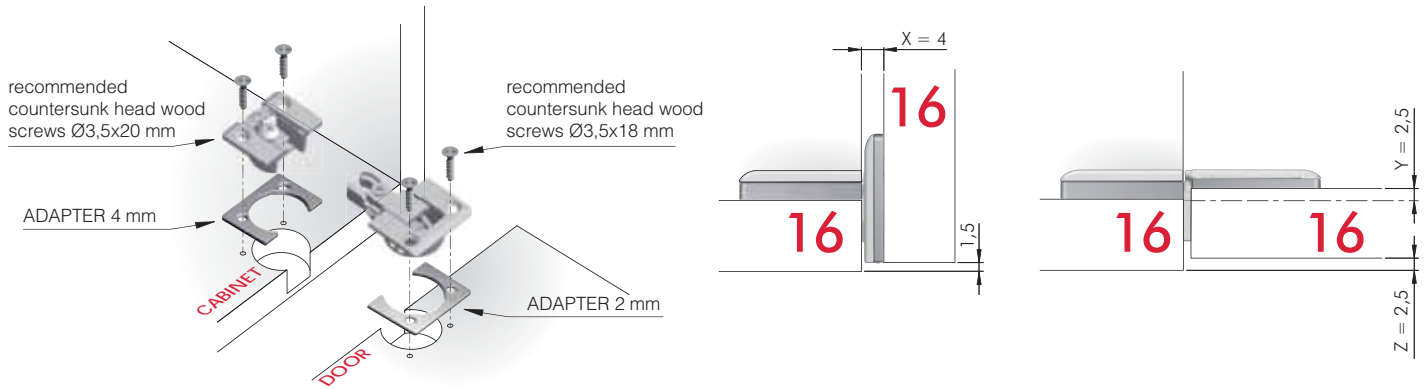
HSS	 = on request
 123	
6270101000	





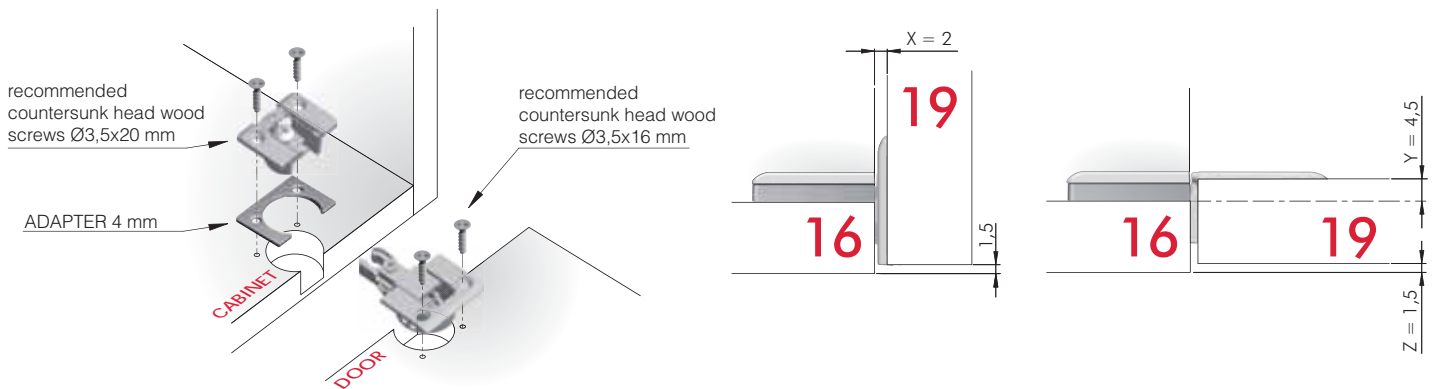
CABINET 16 mm WITH ADAPTER 4 mm THICK - DOOR 16 mm WITH ADAPTER 2 mm THICK

0 + 2 mm FURTHER VERTICAL ADJUSTMENT



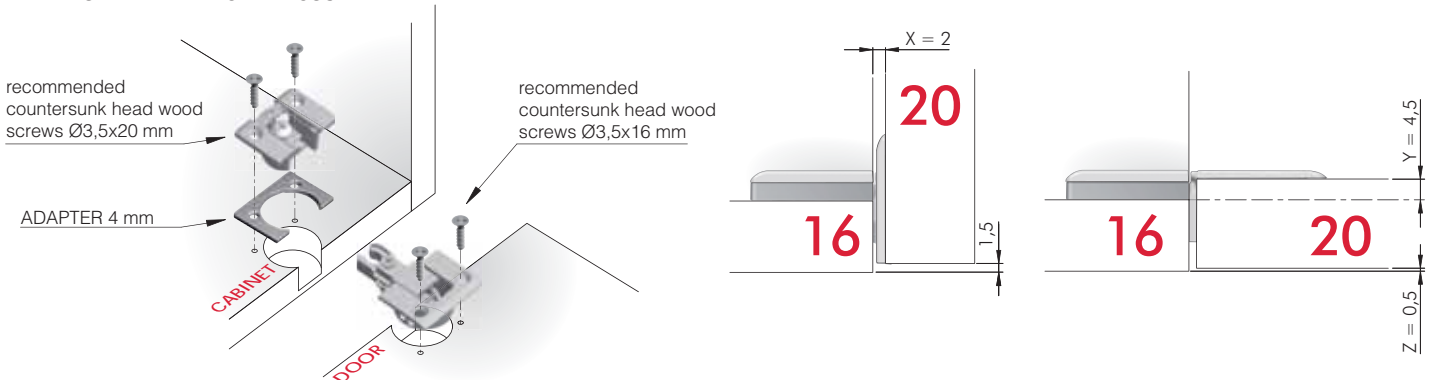
CABINET 16 mm WITH ADAPTER 4 mm THICK - DOOR 19 mm WITHOUT ADAPTER

0 + 2 mm FURTHER VERTICAL ADJUSTMENT



CABINET 16 mm WITH ADAPTER 4 mm THICK - DOOR 20 mm WITHOUT ADAPTER

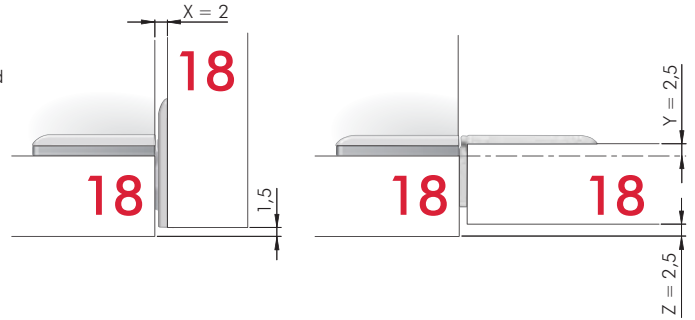
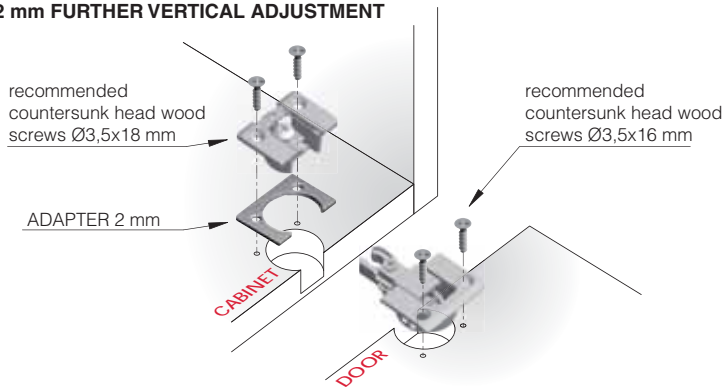
0 + 2 mm FURTHER VERTICAL ADJUSTMENT





CABINET 18 mm WITH ADAPTER 2 mm THICK - DOOR 18 mm WITHOUT ADAPTER

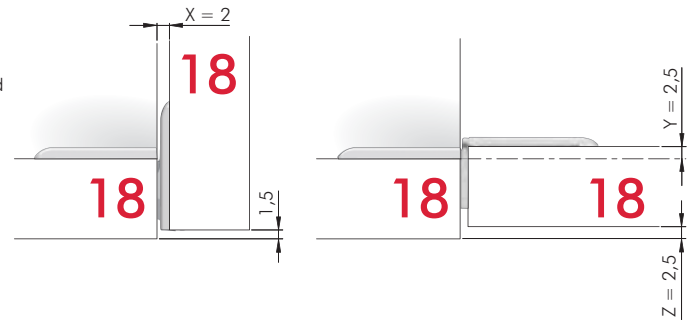
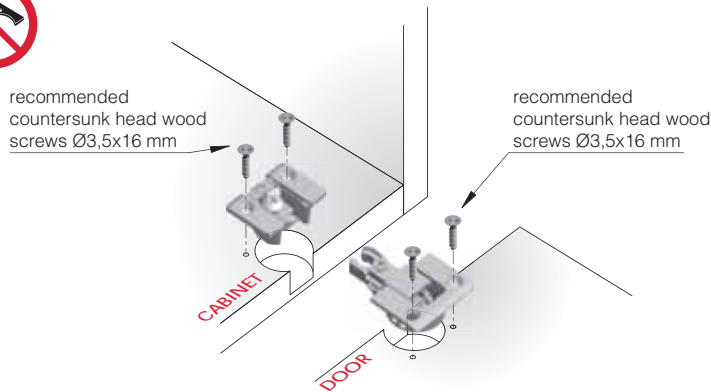
0 + 2 mm FURTHER VERTICAL ADJUSTMENT



CABINET 18 mm WITHOUT ADAPTER - DOOR 18 mm WITHOUT ADAPTER

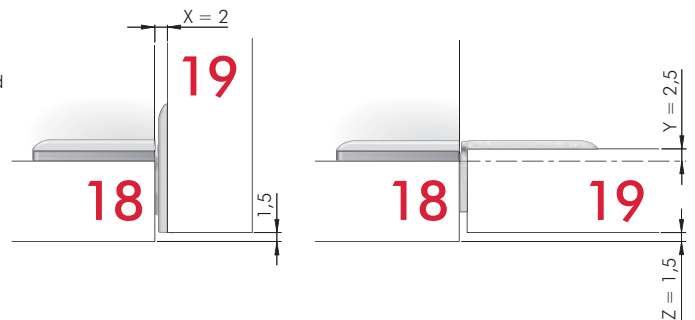
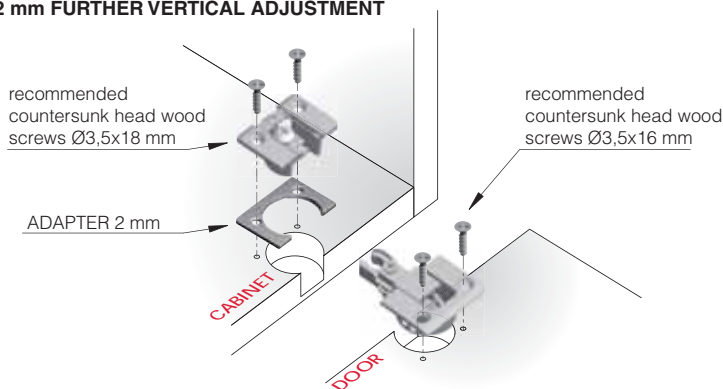


WITH VERTICAL ADJUSTMENT + 2 mm CARRIED OUT



CABINET 18 mm WITH ADAPTER 2 mm THICK - DOOR 19 mm WITHOUT ADAPTER

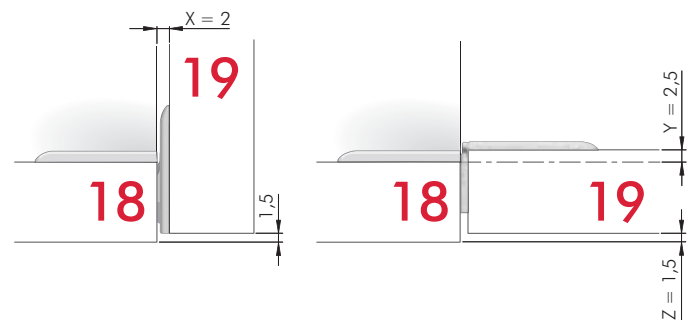
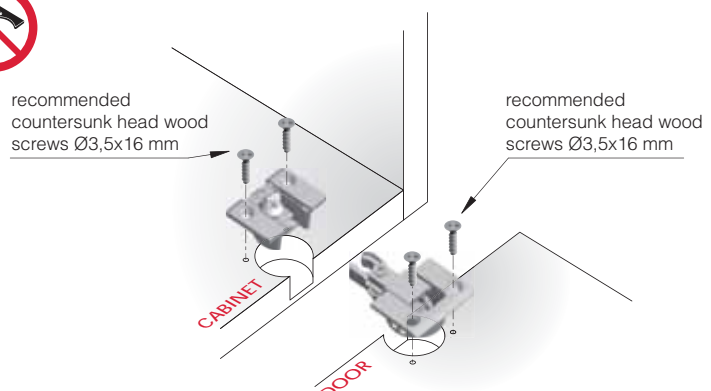
0 + 2 mm FURTHER VERTICAL ADJUSTMENT



CABINET 18 mm WITHOUT ADAPTER - DOOR 19 mm WITHOUT ADAPTER

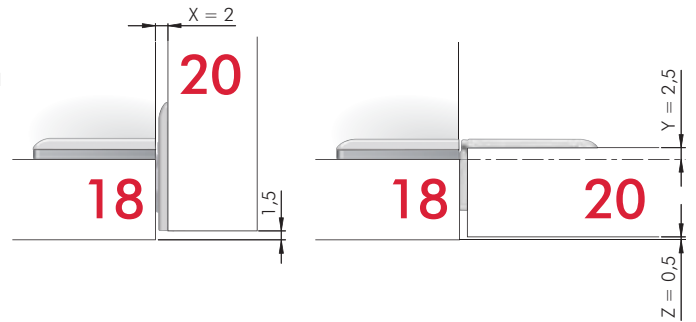
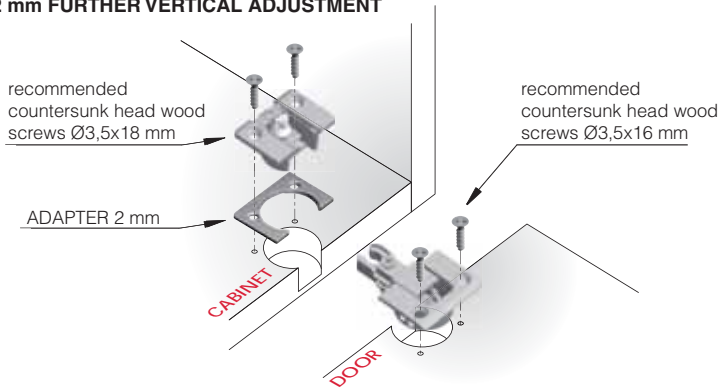


WITH VERTICAL ADJUSTMENT + 2 mm CARRIED OUT



CABINET 18 mm WITH ADAPTER 2 mm THICK - DOOR 20 mm WITHOUT ADAPTER

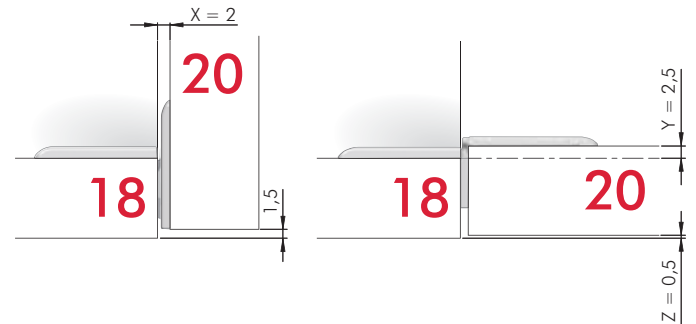
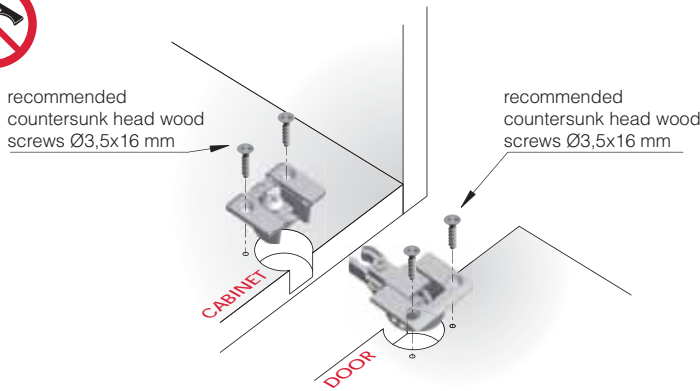
0 + 2 mm FURTHER VERTICAL ADJUSTMENT



CABINET 18 mm WITHOUT ADAPTER - DOOR 20 mm WITHOUT ADAPTER

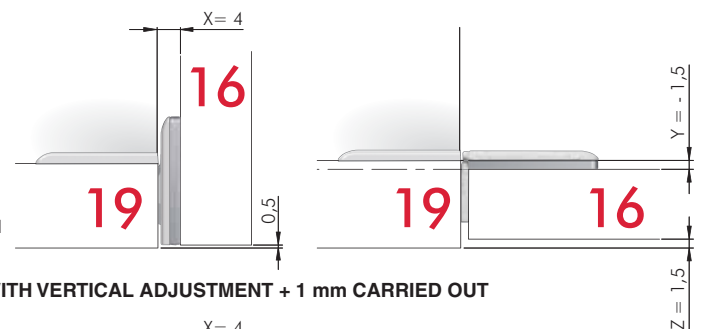
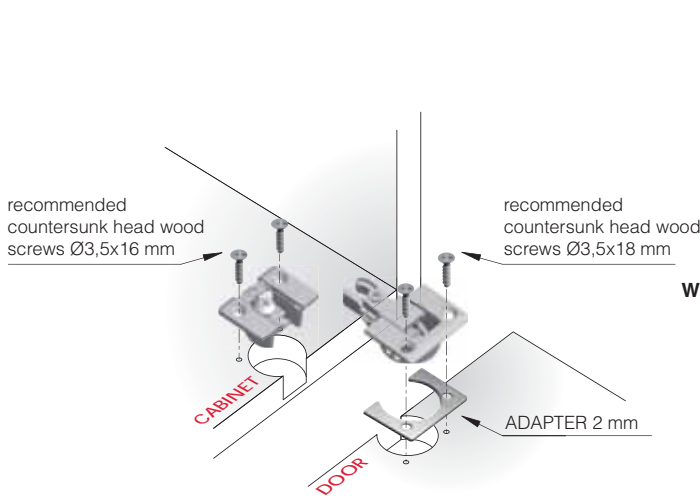


WITH VERTICAL ADJUSTMENT + 2 mm CARRIED OUT

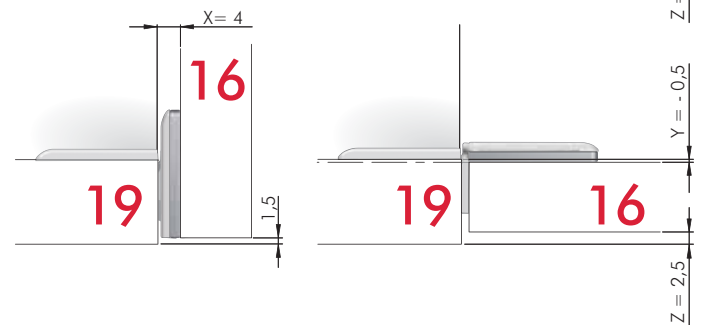


CABINET 19 mm WITHOUT ADAPTER - DOOR 16 mm WITH ADAPTER 2 mm THICK

0 + 2 mm FURTHER VERTICAL ADJUSTMENT

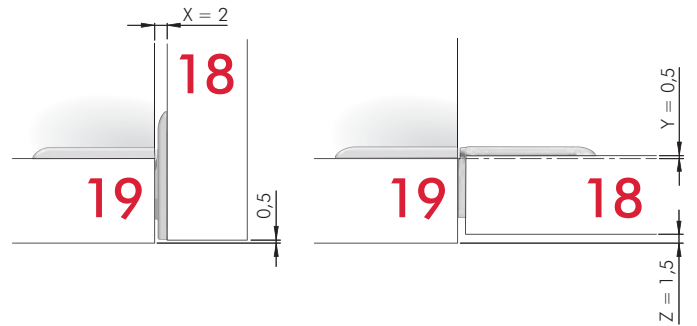
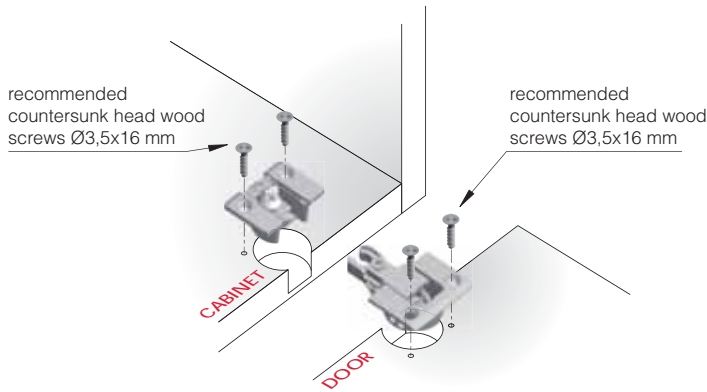


WITH VERTICAL ADJUSTMENT + 1 mm CARRIED OUT

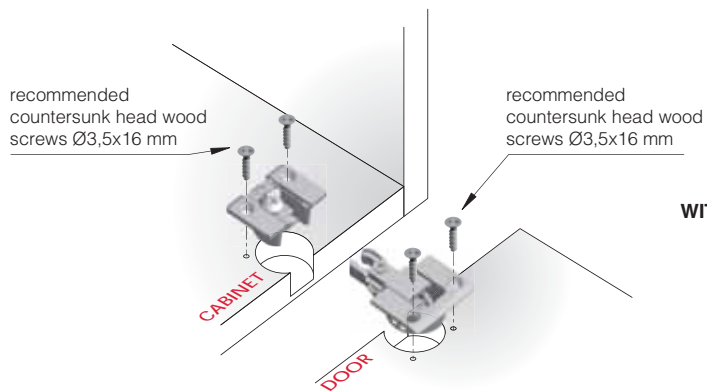




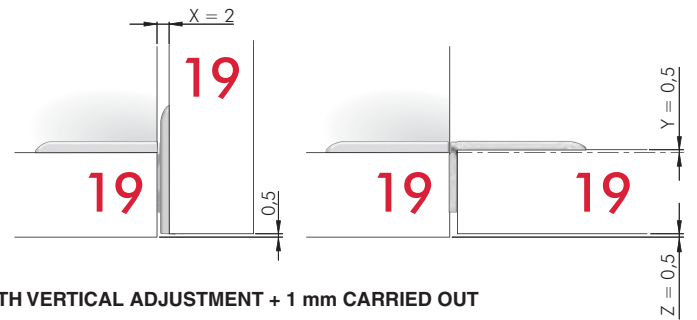
CABINET 19 mm WITHOUT ADAPTER - DOOR 18 mm WITHOUT ADAPTER



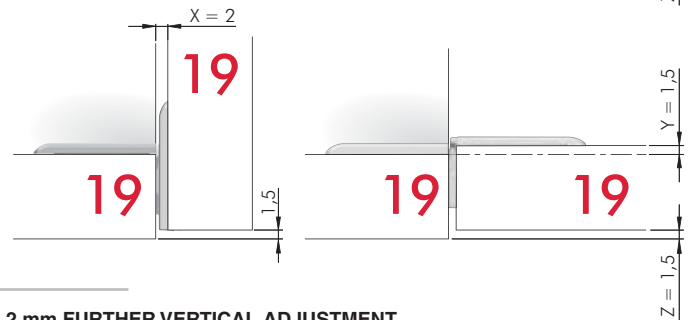
CABINET 19 mm WITHOUT ADAPTER - DOOR 19 mm WITHOUT ADAPTER



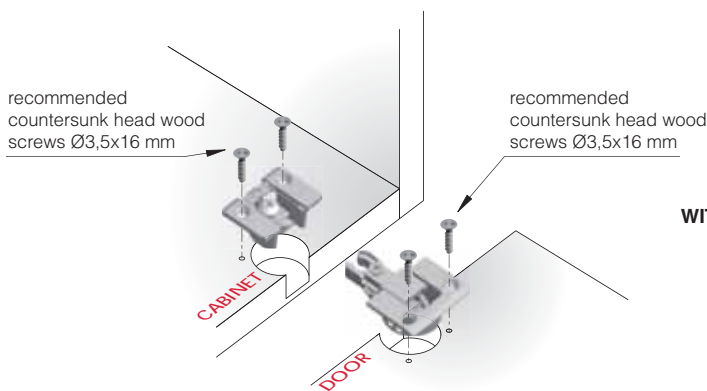
0 + 2 mm FURTHER VERTICAL ADJUSTMENT



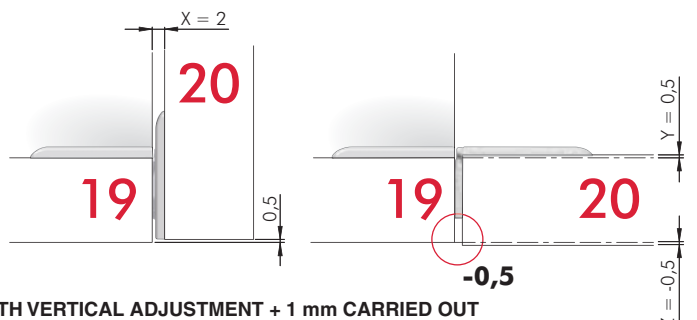
WITH VERTICAL ADJUSTMENT + 1 mm CARRIED OUT



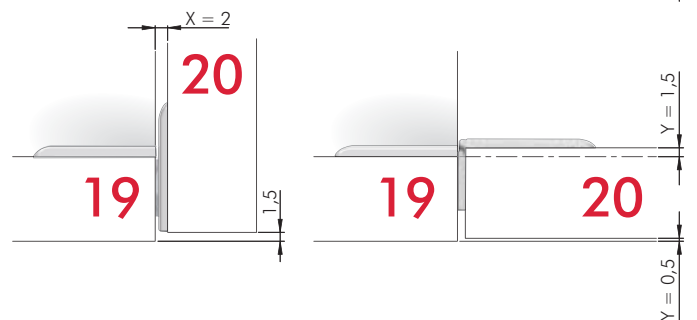
CABINET 19 mm WITHOUT ADAPTER - DOOR 20 mm WITHOUT ADAPTER



0 + 2 mm FURTHER VERTICAL ADJUSTMENT

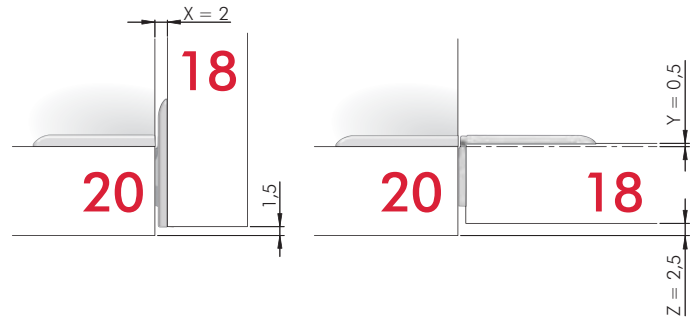
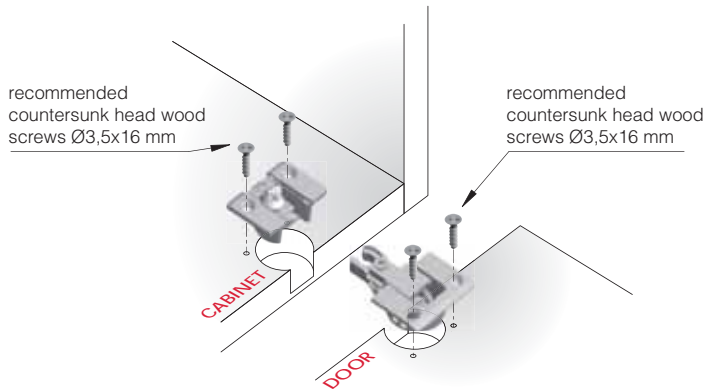


WITH VERTICAL ADJUSTMENT + 1 mm CARRIED OUT



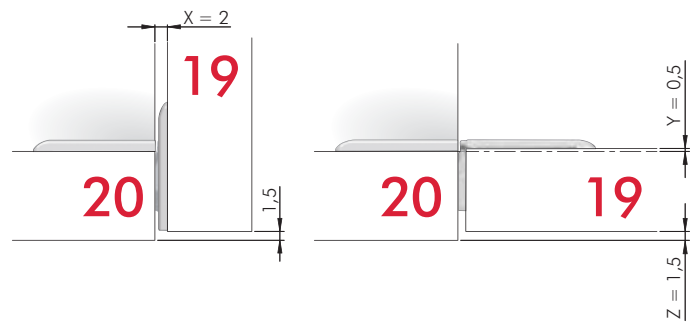
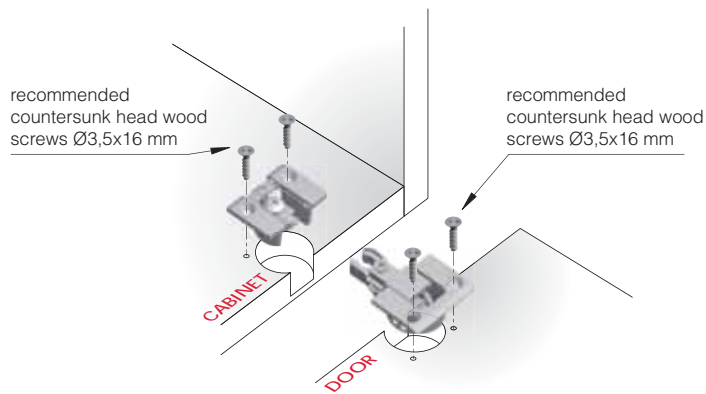
CABINET 20 mm WITHOUT ADAPTER - DOOR 18 mm WITHOUT ADAPTER

0 + 2 mm FURTHER VERTICAL ADJUSTMENT



CABINET 20 mm WITHOUT ADAPTER - DOOR 19 mm WITHOUT ADAPTER

0 + 2 mm FURTHER VERTICAL ADJUSTMENT



CABINET 20 mm WITHOUT ADAPTER - DOOR 20 mm WITHOUT ADAPTER

0 + 2 mm FURTHER VERTICAL ADJUSTMENT

