

Cam Lock

Ø22mm (7/8")



Application

Mul-T-Lock® cam locks are available in various sizes, making them suitable for a wide range of applications (e.g. cabinets, drawers, parking meters, lockers, cash boxes, pay telephones etc.).

Operation

90° cam rotation. Adjustable for clockwise and counter-clockwise operation.

Materials

Body, plug and ring: Brass.

Cam: Steel.

Pins: Nickel Silver & Stainless Steel.

Available Finishes

See table in page C210v1.

Cylinder Mechanism

Mul-T-Lock® unique, high precision up to 10 telescopic pin tumbler system. Pick and drill resistant for high security needs.

Keys

Reversible Nickel Silver key with plastic key head and coloured insert for identification. Also available in all-Nickel Silver.

Key Security

Orders for keys marked "do not duplicate" should only be made upon presentation of a key card.

Cylinder Options

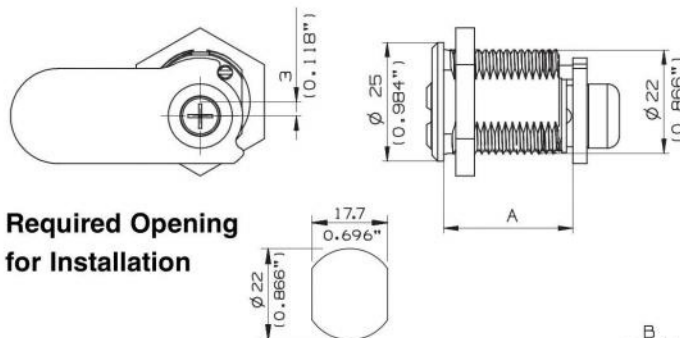
Classic, *Intersactive*® (patented).

Keyed different, Keyed alike,

Master keyed.

'3 IN 1' (changeable combination).

Variety of cams.



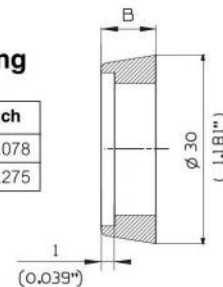
Required Opening for Installation

Cylinder dimensions

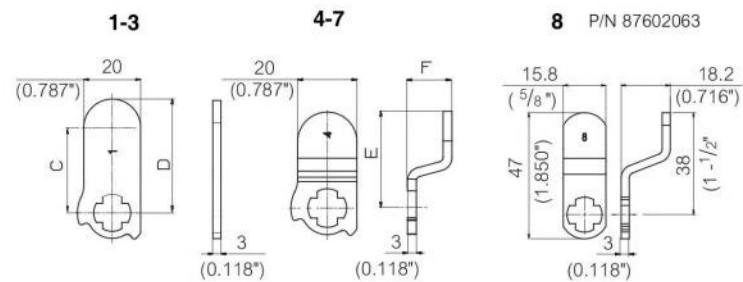
	mm	Inch	Chambers
A	22.5	0.885	4
	27.3	1.075	5
	38.3	1.5	5

Spacer ring

	mm	Inch
B	2	0.078
	7	0.275



Cams available



P/N	C	D	Marking
87602005	30	40	1
87602126	44	54	2
87602090	90	100	3

P/N	E	F	Cam #
87602129	32	15	4
87602174	27.8	15	5
87602171	35.3	11.7	6
87602047	31	21.5	7