

# HEAVY DUTY SOFT-DOWN STAY



## HDSN-30



### ■ Features

- For upward-opening doors.
- Designed to hold the door in closed and opened position.
- Arm bracket for wood and aluminium frame available. Specify when ordering.
- Used in pairs.

### ■ Applicable Range

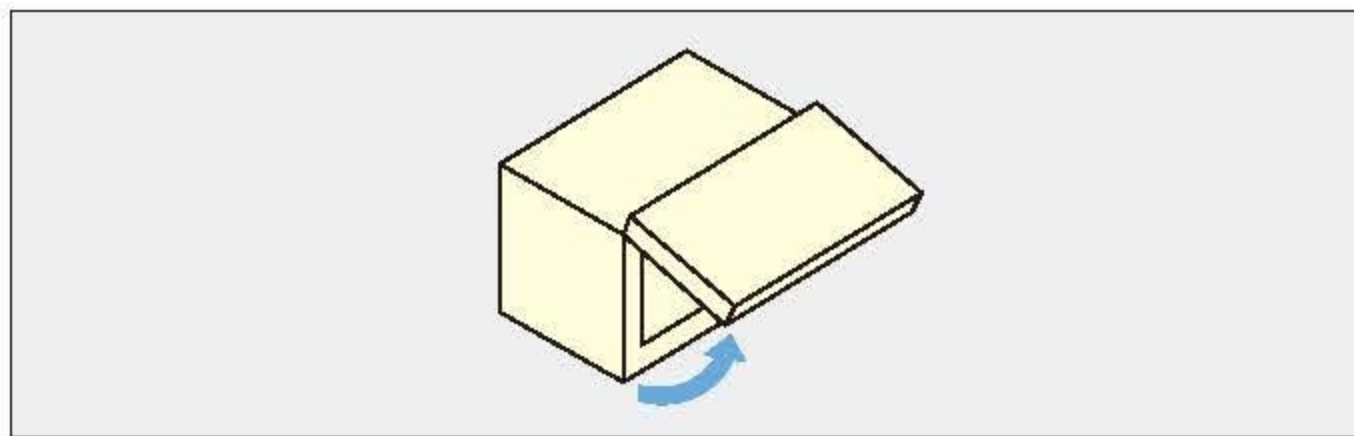
Torque		Model	Qty
Opening Angle 90°	Opening Angle 80°		
13.7~17.5 N·m	13.7~19.5 N·m	K	1 pair
17.6~21.5 N·m	19.6~24.4 N·m	M	1 pair
21.6~25.4 N·m	24.5~29.3 N·m	H	1 pair
25.5~29.4 N·m	29.4~34.3 N·m	S	1 pair

### ■ Parts Included

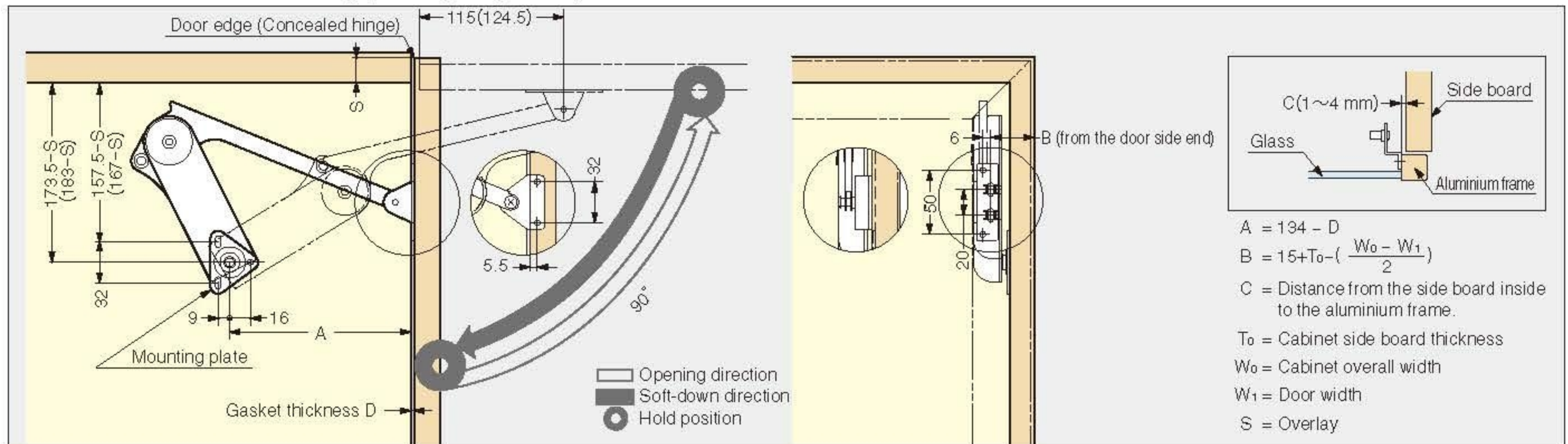
- Mounting plate
- Binding head tapping screw 3.5 × 15

### ■ Sold Separately

- Arm mounting plate HDSN-SZ (below)
- Arm mounting plate HDSN-AZ for 20 mm aluminium frame (below)



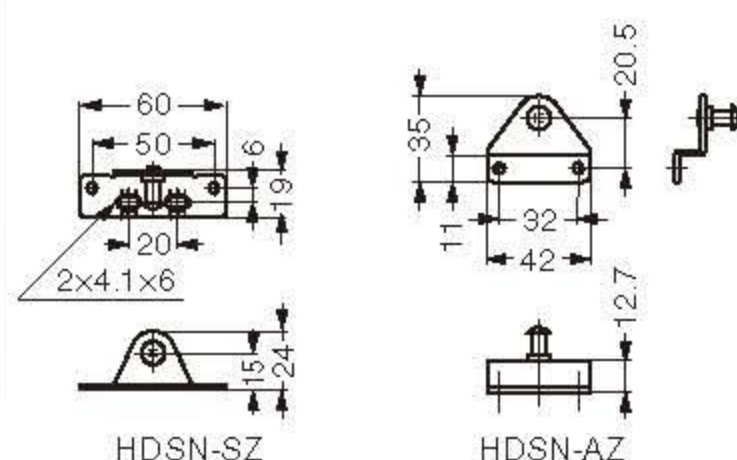
### ■ Installation with HDSN-SZ (Opening Angle 90°)



Item Code	Item Name	Type	Material	Finish/Colour	Model	Torque Moment/pair		Weight	Carton
						Opening Angle 90°	Opening Angle 80°		
180-109-601	HDSN-30KL	Left	ABS/Steel	Nickel/Light Grey	K	13.7~17.5 N·m	13.7~19.5 N·m	366 g	40 pcs
180-109-602	HDSN-30KR	Right	ABS/Steel	Nickel/Light Grey	K	(140~179 kgf·cm)	(140~199 kgf·cm)	366 g	40 pcs
180-109-603	HDSN-30ML	Left	ABS/Steel	Nickel/Light Grey	M	17.6~21.5 N·m	19.6~24.4 N·m	415 g	40 pcs
180-109-604	HDSN-30MR	Right	ABS/Steel	Nickel/Light Grey	M	(180~219 kgf·cm)	(200~249 kgf·cm)	415 g	40 pcs
180-109-605	HDSN-30HL	Left	ABS/Steel	Nickel/Light Grey	H	21.6~25.4 N·m	24.5~29.3 N·m	415 g	40 pcs
180-109-606	HDSN-30HR	Right	ABS/Steel	Nickel/Light Grey	H	(220~259 kgf·cm)	(250~299 kgf·cm)	415 g	40 pcs
180-109-607	HDSN-30SL	Left	ABS/Steel	Nickel/Light Grey	S	25.5~29.4 N·m	29.4~34.3 N·m	415 g	40 pcs
180-109-608	HDSN-30SR	Right	ABS/Steel	Nickel/Light Grey	S	(260~300 kgf·cm)	(300~350 kgf·cm)	415 g	40 pcs

## ARM MOUNTING PLATE FOR HDSN

## HDSN-SZ, HDSN-AZ



Item Code	Item Name	Application	Material	Finish	Weight	Box
180-109-609	HDSN-SZ	For Wood Door/Aluminium Frame more than 45 mm	Steel	Nickel	24 g	120 pcs
180-109-610	HDSN-AZ	For 20 mm width Aluminium Frame	Steel	Nickel	25 g	120 pcs