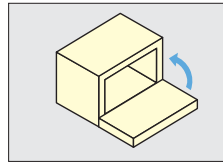


SELF-CLOSE STAY



HDS-10S



Features

- For downward opening flaps.
- Self-closes after a small impulse.
- Used in pairs.

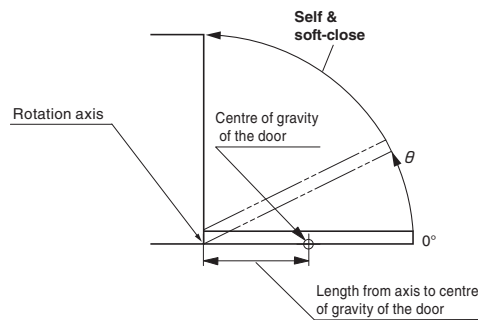
Parts Included

- Mounting plate
- Binding head tapping screw 3.5×15

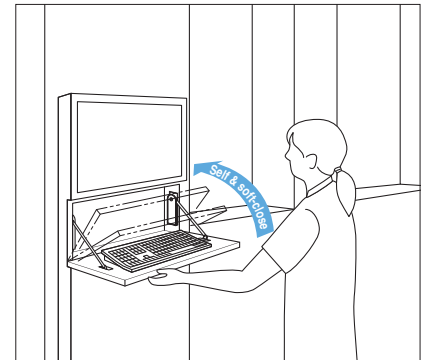
Video Link



Self & Soft-close Starting Angle



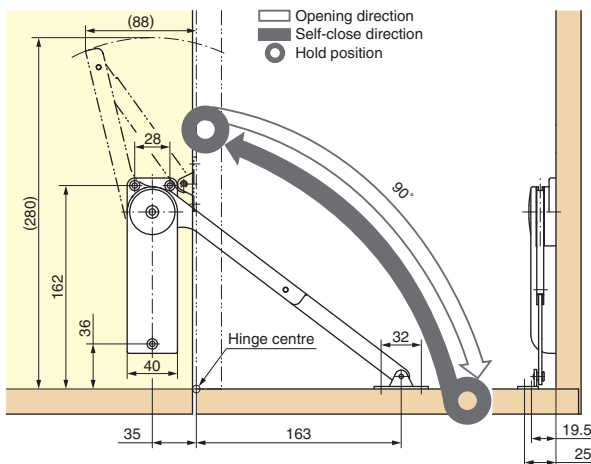
Application Example



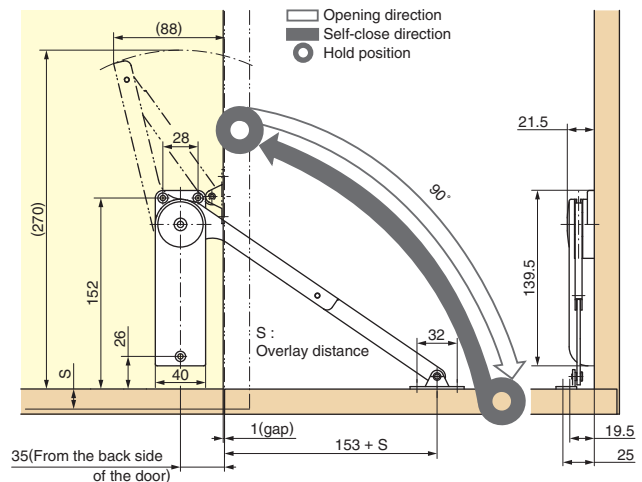
Model	Self & Soft-close Starting Angle θ
K	5° ~ 35°
M	5° ~ 20°
H	5° ~ 20°
S	5° ~ 15°

Installation

With Piano-Butt Hinge



With Drop Hinge (SDH-001)



Item Code	Item Name	Type	Material	Finish/Colour	Model	Torque Moment/pair	Weight	Carton
180-025-872	HDS-10S-KL-BL	Left	ABS/Steel	Nickel/Black	K	5.9~ 9.3 N · m (60~ 95 kgf · cm)	292 g	40 pcs
180-026-723	HDS-10S-KL-WT	Left	ABS/Steel	Nickel/White	K		292 g	40 pcs
180-025-873	HDS-10S-KR-BL	Right	ABS/Steel	Nickel/Black	K		292 g	40 pcs
180-026-724	HDS-10S-KR-WT	Right	ABS/Steel	Nickel/White	K	9.3~12.7 N · m (95~130 kgf · cm)	292 g	40 pcs
180-025-874	HDS-10S-ML-BL	Left	ABS/Steel	Nickel/Black	M		301 g	40 pcs
180-026-725	HDS-10S-ML-WT	Left	ABS/Steel	Nickel/White	M		301 g	40 pcs
180-025-875	HDS-10S-MR-BL	Right	ABS/Steel	Nickel/Black	M	10.8~15.7 N · m (110~160 kgf · cm)	301 g	40 pcs
180-026-726	HDS-10S-MR-WT	Right	ABS/Steel	Nickel/White	M		301 g	40 pcs
180-025-876	HDS-10S-HL-BL	Left	ABS/Steel	Nickel/Black	H		309 g	40 pcs
180-026-727	HDS-10S-HL-WT	Left	ABS/Steel	Nickel/White	H	13.7~17.6 N · m (140~180 kgf · cm)	309 g	40 pcs
180-025-877	HDS-10S-HR-BL	Right	ABS/Steel	Nickel/Black	H		309 g	40 pcs
180-026-728	HDS-10S-HR-WT	Right	ABS/Steel	Nickel/White	H		309 g	40 pcs
180-025-902	HDS-10S-SL-BL	Left	ABS/Steel	Nickel/Black	S	13.7~17.6 N · m (140~180 kgf · cm)	312 g	40 pcs
180-026-729	HDS-10S-SL-WT	Left	ABS/Steel	Nickel/White	S		312 g	40 pcs
180-025-903	HDS-10S-SR-BL	Right	ABS/Steel	Nickel/Black	S		312 g	40 pcs
180-026-730	HDS-10S-SR-WT	Right	ABS/Steel	Nickel/White	S	312 g	40 pcs	