

LIFT-ASSIST STAY



EZS-ELAN



■ Features

- For upward-opening doors.
- Door opens over the cabinet.
- Lift-assist mechanism for extra-light opening.
- Door stays in any desired position.
- Damper equipped for soft & silent closing at the end.
- Slim design and installation position maximizes space inside of the cabinet.
- Easy-installed just by aligning the main body to the inside cabinet corner.
- No hinges/connecting bar needed.
- Door height adjustable.
- Successfully passed for the 30,000 open/close private cycle test.

■ Remarks

Used in pairs.

■ Parts Included

- Mounting plate (2 pcs)
- Countersunk head tapping screw 3.5×38 for main body (6 pcs)
- Binding head tapping screw 3.5×15 for mounting plate (4 pcs)

■ 3 Functions in 1 Stay

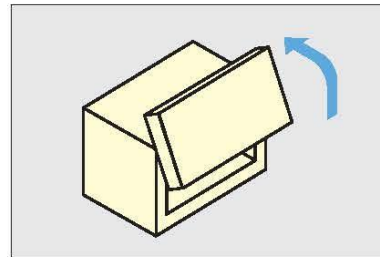
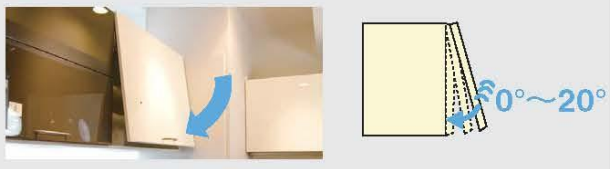
1. Lift-assist



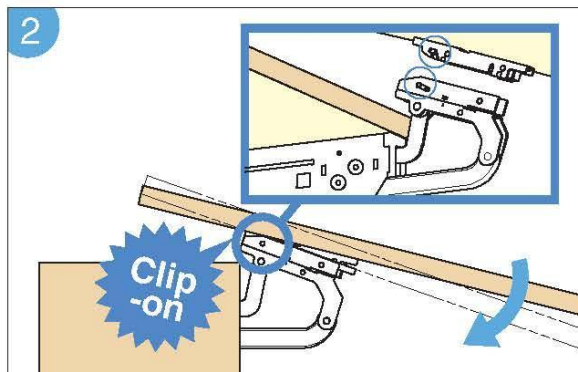
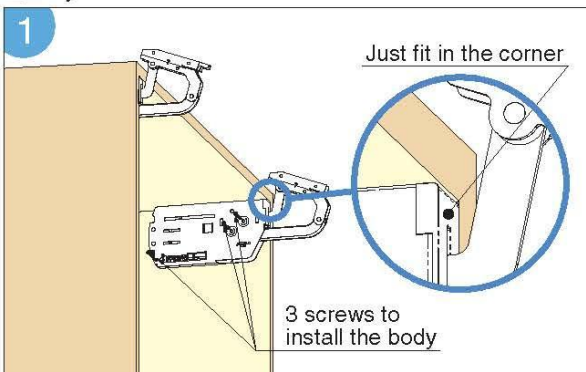
2. Free-stop



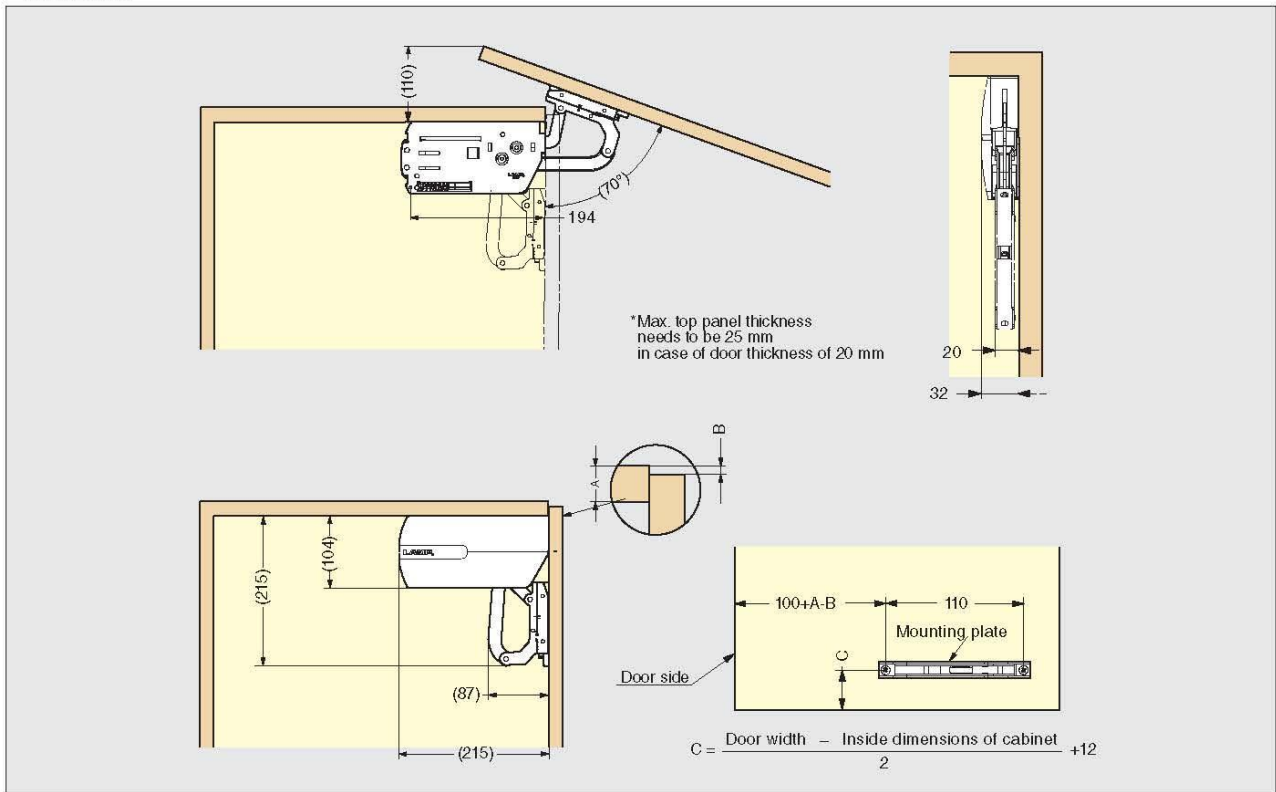
3. Soft-close



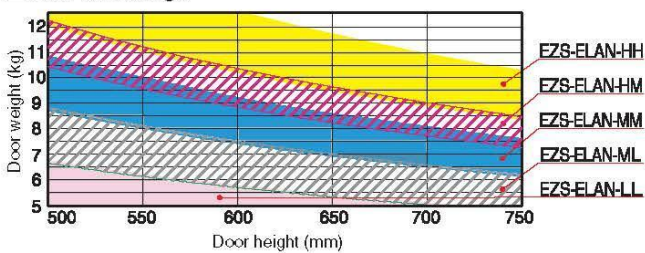
■ Easy Installation



Installation



Door Size Range



Lifting Power

Door height (mm) x (Door weight (kg) - 1)

Lifting Power	Model
1900-2860	EZS-ELAN-LL
2820-3900	EZS-ELAN-ML
3850-4950	EZS-ELAN-MM
4700-5600	EZS-ELAN-HM
5550-6930	EZS-ELAN-HH

Set Packing

Item Code	Item Name	Material	Finish/Colour	Weight	Carton
180-018-903	EZS-ELAN-LL S	Steel/ABS	Nickel/Light Grey	2494 g	5 sets
180-018-904	EZS-ELAN-ML S	Steel/ABS	Nickel/Light Grey	2569 g	5 sets
180-018-905	EZS-ELAN-MM S	Steel/ABS	Nickel/Light Grey	2646 g	5 sets
180-018-906	EZS-ELAN-HM S	Steel/ABS	Nickel/Light Grey	2646 g	5 sets
180-018-907	EZS-ELAN-HH S	Steel/ABS	Nickel/Light Grey	2646 g	5 sets

Bulk Packing

Item Code	Item Name	Material	Finish/Colour	Weight	Carton
180-018-923	EZS-ELAN-L	Steel/ABS	Nickel, Light Grey	2334 g	5 sets
180-018-924	EZS-ELAN-M	Steel/ABS	Nickel, Light Grey	2486 g	5 sets
180-018-925	EZS-ELAN-H	Steel/ABS	Nickel, Light Grey	2486 g	5 sets
180-018-983	EZS-ELAN-COVER	ABS	Light Grey	160 g	5 sets