



Sliding doors



With **Domino** Formenti & Giovenzana is adding another opening alternative for cabinet doors to their range. The focus on the development was on the quality of the solution, whilst keeping cost in mind. A sliding door range with state-of-the-art features at an affordable price is completing the offering of hinges and lifters covering already door applications. A full range of applications for two and three sliding door system. The SlowMotion damping device is kept in a very compact un-intrusive housing and confers showroom effect and quality feel to every wardrobe.

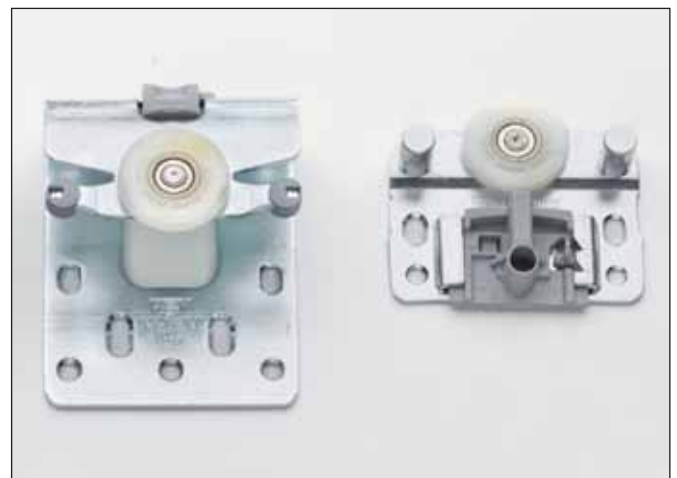


Full range

Domino, like the famous block who gave its name, is a complete range of solutions. Domino exists for two or three door applications. Domino exists for different door thicknesses from light to heavy. Different profiles and all surrounding components complete the Domino offering.

Affordable quality components

FGV are proposing a state-of-the-art family of hardware solutions for furniture sliding doors. Materials and components are chosen to deliver perfect function at an affordable price. High volume manufacturing and stringent quality processes will guarantee perfect function.



Safety and ease of assembly

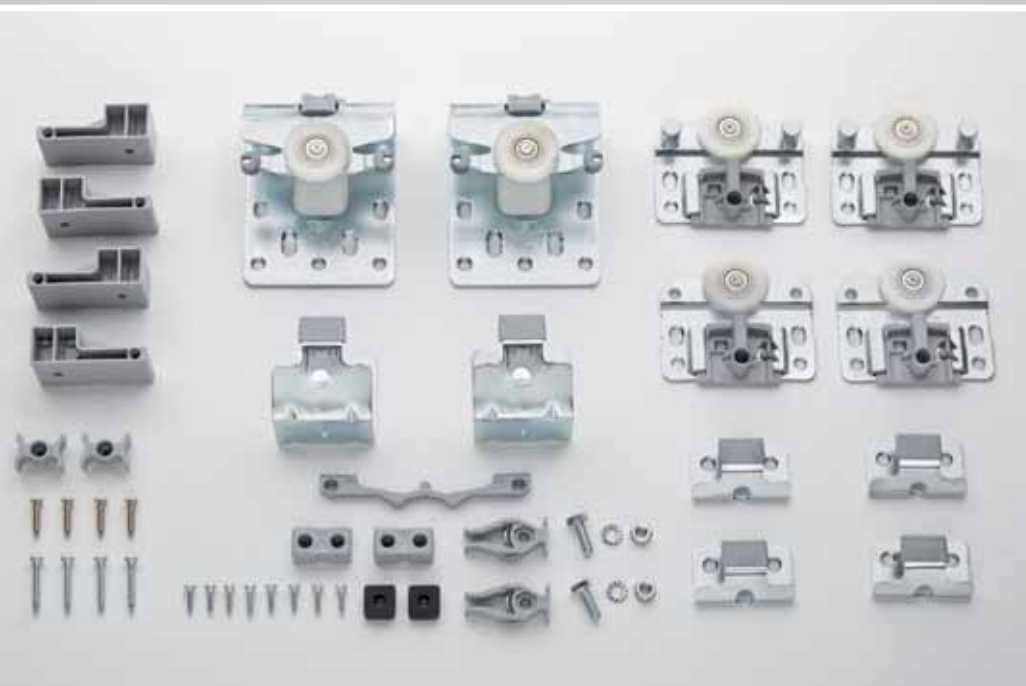
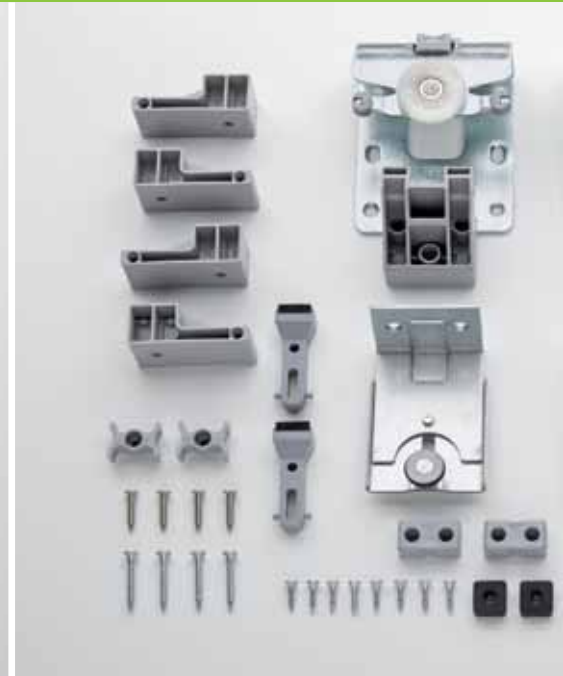
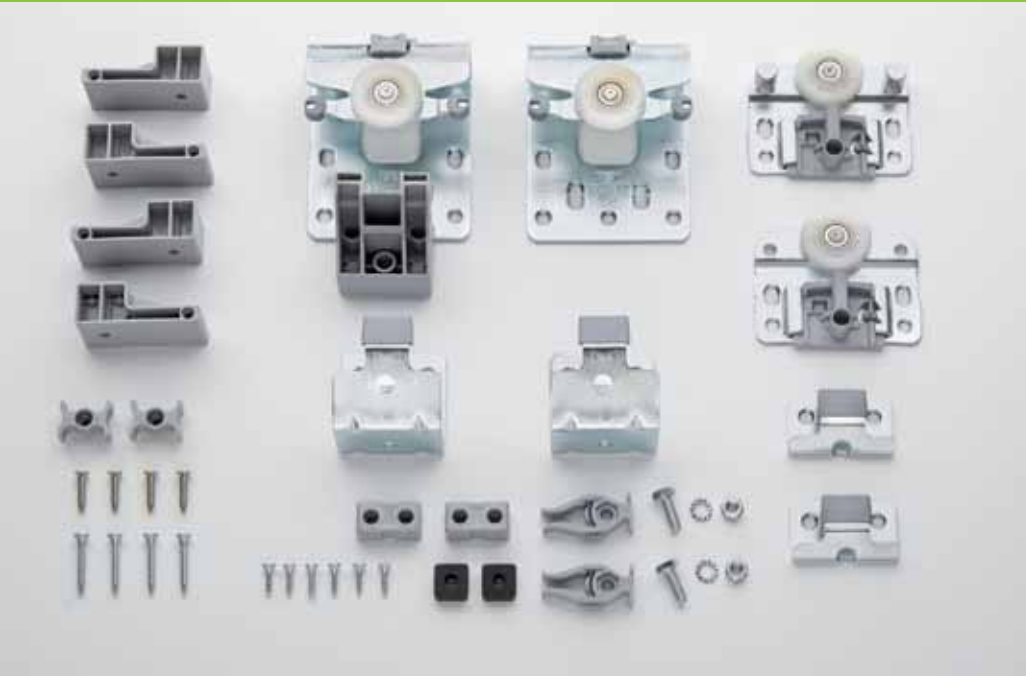
The different components of the system are easy to assemble and safety stops and anti-lift features are integral part of the design. The choice of materials and the technologies used for assembly of the parts guarantee high safety for the whole life of your wardrobes and closets.



SlowMotion damping system

A distinctive feature will surely be the brand new damping solution developed by FGV specifically for this application. Extremely slim in its design and very little intrusive, the housing bears a powerful damper with a long stroke and an excellent control of the door movement, increasing day to day comfort. The very competitive SlowMotion damping really makes the difference.







Domino Index

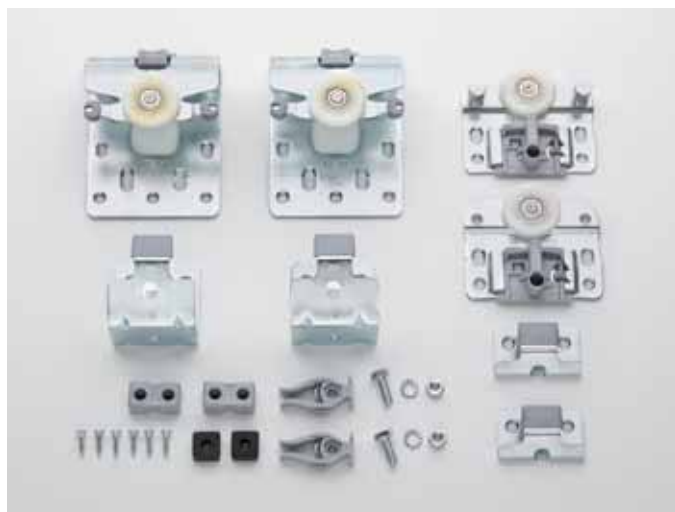
<i>Domino 2/2</i>	<i>194-195</i>
<i>Domino 3/3</i>	<i>196-197</i>
<i>Domino Accessories</i>	<i>198</i>
<i>Domino 2/2 S</i>	<i>200-201</i>
<i>Domino 3/3 S</i>	<i>202-203</i>
<i>Domino S Accessories</i>	<i>204</i>

Domino 2/2



Technical specifications:

- Solution for 2 sliding doors
- Standard doors application
- Integrated safety stops and anti-lift features
- Easy and rapid assembling with optional EasyFix door brackets
- SlowMotion technology for controlled and silent closing



Kit Domino 2/2



Kit Domino 2/2 SlowMotion

Code	Description	Door thickness (mm)	Packing
59.0DM2.07.000.0000	Kit Domino for 2 sliding doors (16-21)	16 - 21	12 kits
59.0DM2.07.010.0000	Kit Domino for 2 sliding doors (22-28)	22 - 28	12 kits
59.0DM2.07.000.R000	Kit Domino for 2 sliding doors retrofit SlowMotion (16-21)	16 - 21	12 kits
59.0DM2.07.010.R000	Kit Domino for 2 sliding doors retrofit SlowMotion (22-28)	22 - 28	12 kits

Code	Description	Door weight (kg)	Packing
59.0DMX.06.04000.C2	Kit of 2 SlowMotion dampers for side doors (40)	40	50 kits
59.0DMX.06.06000.C2	Kit of 2 SlowMotion dampers for side doors (60)	60	50 kits



Domino 3/3

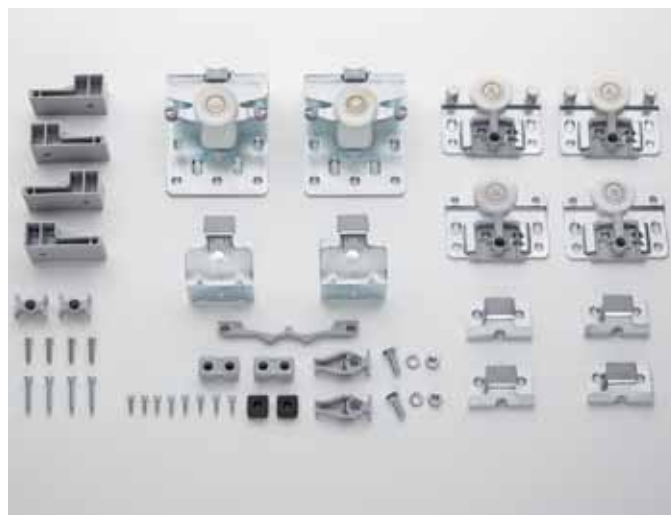


Technical specifications:

- Solution for 3 sliding doors
- Standard doors application
- Integrated safety stops and anti-lift features
- Easy and rapid assembling with optional EasyFix door brackets
- SlowMotion technology for controlled and silent closing



Kit Domino 3/3



Kit Domino 3/3 SlowMotion

Code	Description	Door thickness (mm)	Packing
59.0DM3.07.000.0000	Kit Domino for 3 sliding doors (16-21)	16 - 21	12 kits
59.0DM3.07.010.0000	Kit Domino for 3 sliding doors (22-28)	22 - 28	12 kits
59.0DM3.07.000.R000	Kit Domino for 3 sliding doors retrofit SlowMotion (16-21)	16 - 21	12 kits
59.0DM3.07.010.R000	Kit Domino for 3 sliding doors retrofit SlowMotion (22-28)	22 - 28	12 kits

Code	Description	Door weight (kg)	Packing
59.0DMX.06.04000.C2	Kit of 2 SlowMotion dampers for side doors (40)	40	50 kits
59.0DMX.06.06000.C2	Kit of 2 SlowMotion dampers for side doors (60)	60	50 kits
59.0DMX.06.040C0.00	SlowMotion dampers for central door (40)	40	50 pieces





Aluminium top bar

Code	Description	Packing
59.0DMB.°A.S.**.0000	Aluminium top bar	12 bars
° finish: 0 = raw / A = anodized		
** length: 15 = 1500mm / 20 = 2000mm / 30 = 3000mm		



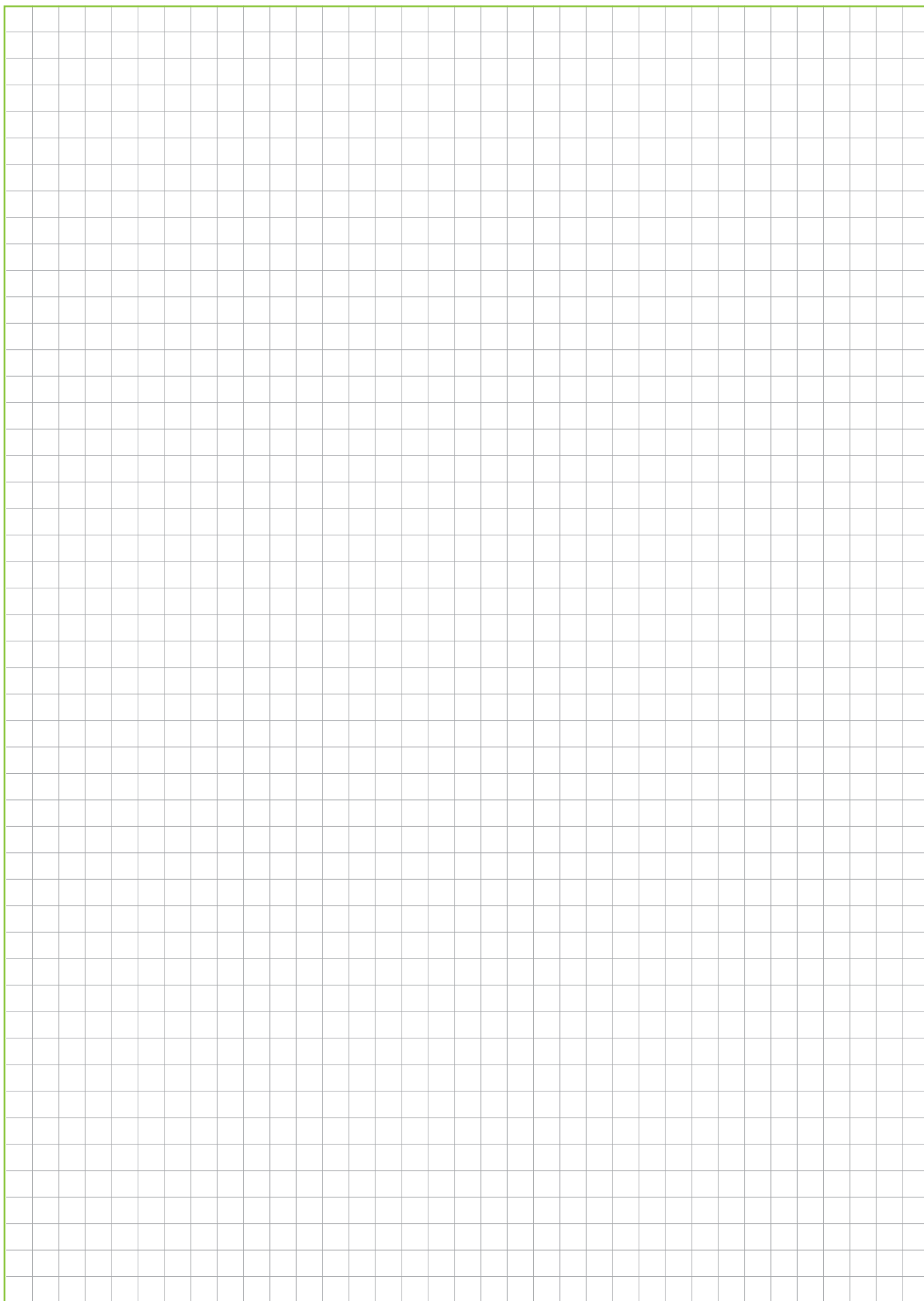
Aluminium bottom bar

Code	Description	Packing
59.0DMB.°A.I.**.0000	Aluminium bottom bar	12 bars
° finish: 0 = raw / A = anodized		
** length: 15 = 1500mm / 20 = 2000mm / 30 = 3000mm		



EasyFix bracket

Code	Description	Packing
59.0DMA.06.0000000	EasyFix bracket for sliding doors easy fixing	84 pieces
<i>Made in grey plastic RAL 7042</i>		



Domino 2/2 S

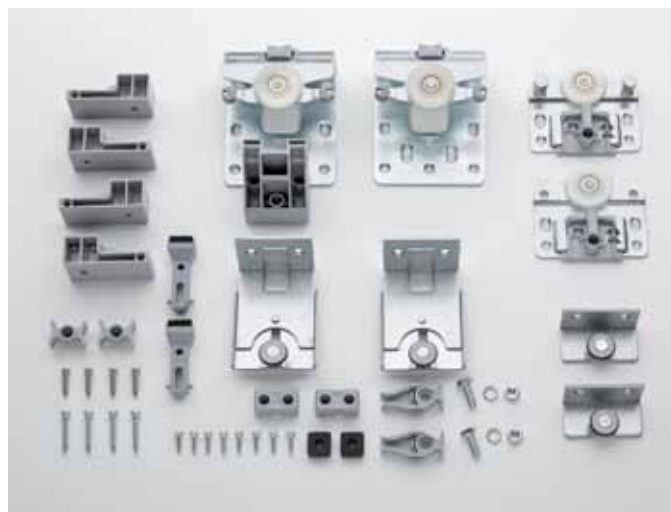


Technical specifications:

- Solution for 2 sliding doors
- Special roller doors application
- Integrated safety stops and anti-lift features
- SlowMotion technology for controlled and silent closing



Kit Domino 2/2 S

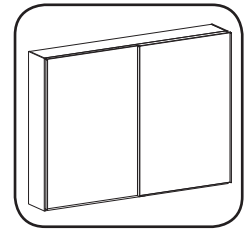


Kit Domino 2/2 S SlowMotion

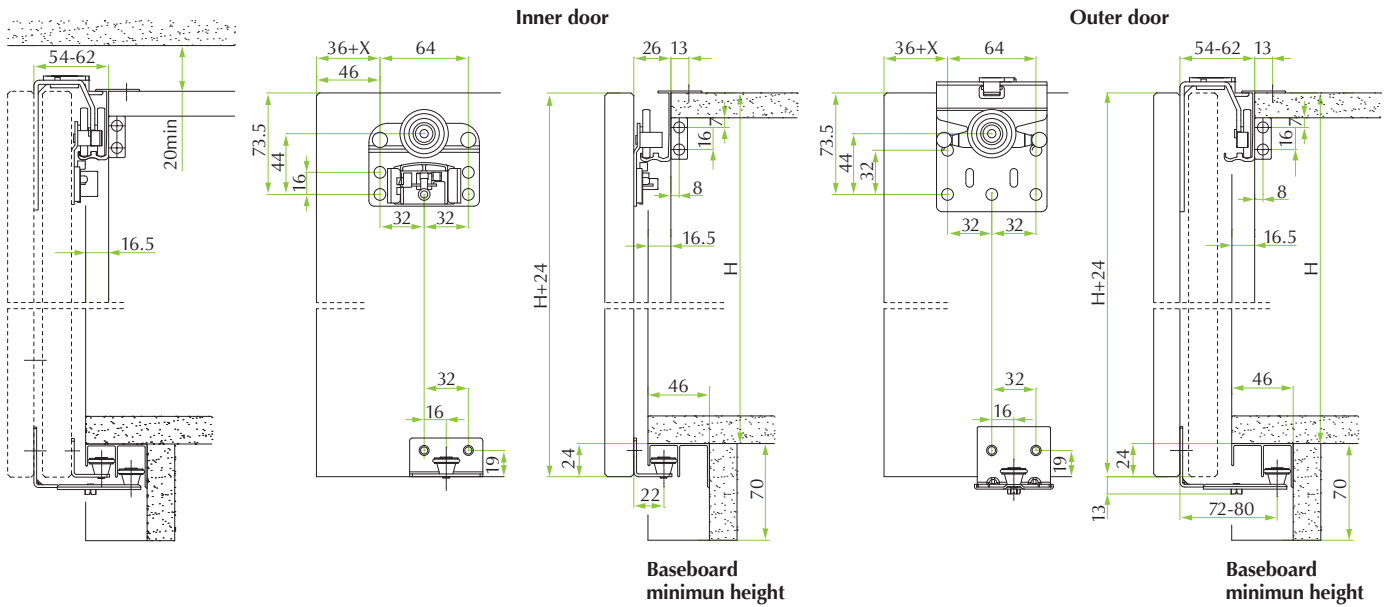
Code	Description	Door thickness (mm)	Packing
59.0DM2.07.S00.0000	Kit Domino for 2 sliding doors (16-21)	16 - 21	12 kits
59.0DM2.07.S10.0000	Kit Domino for 2 sliding doors (22-28)	22 - 28	12 kits
59.0DM2.07.S00.R000	Kit Domino for 2 sliding doors retrofit SlowMotion (16-21)	16 - 21	12 kits
59.0DM2.07.S10.R000	Kit Domino for 2 sliding doors retrofit SlowMotion (22-28)	22 - 28	12 kits

Code	Description	Door weight (kg)	Packing
59.0DMX.06.04000.C2	Kit of 2 SlowMotion dampers for side doors (40)	40	50 kits
59.0DMX.06.06000.C2	Kit of 2 SlowMotion dampers for side doors (60)	60	50 kits

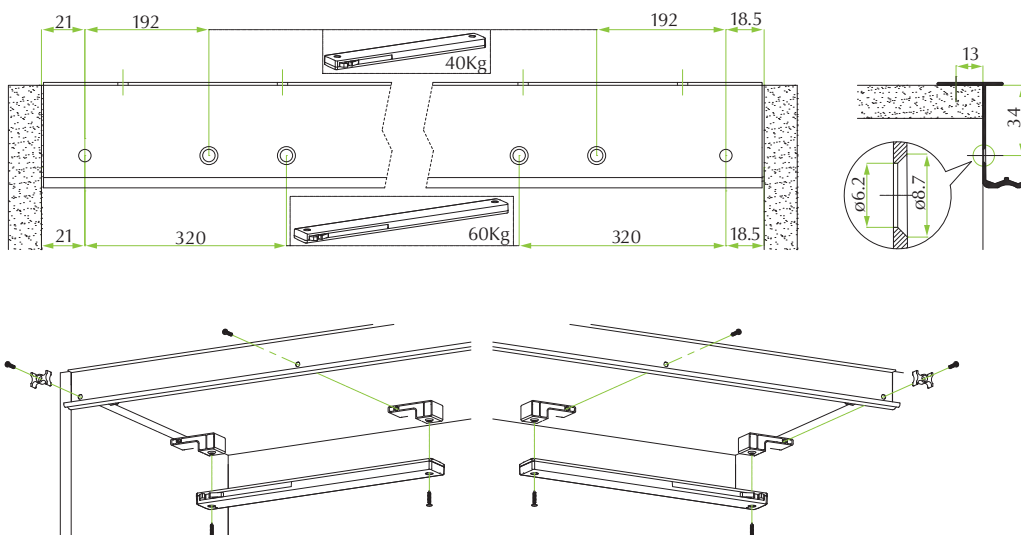




Application:



SlowMotion application:



Domino 3/3 S



Technical specifications:

- Solution for 3 sliding doors
- Special roller doors application
- Integrated safety stops and anti-lift features
- SlowMotion technology for controlled and silent closing



Kit Domino 3/3 S

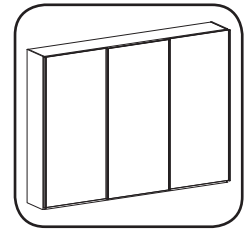


Kit Domino 3/3 S SlowMotion

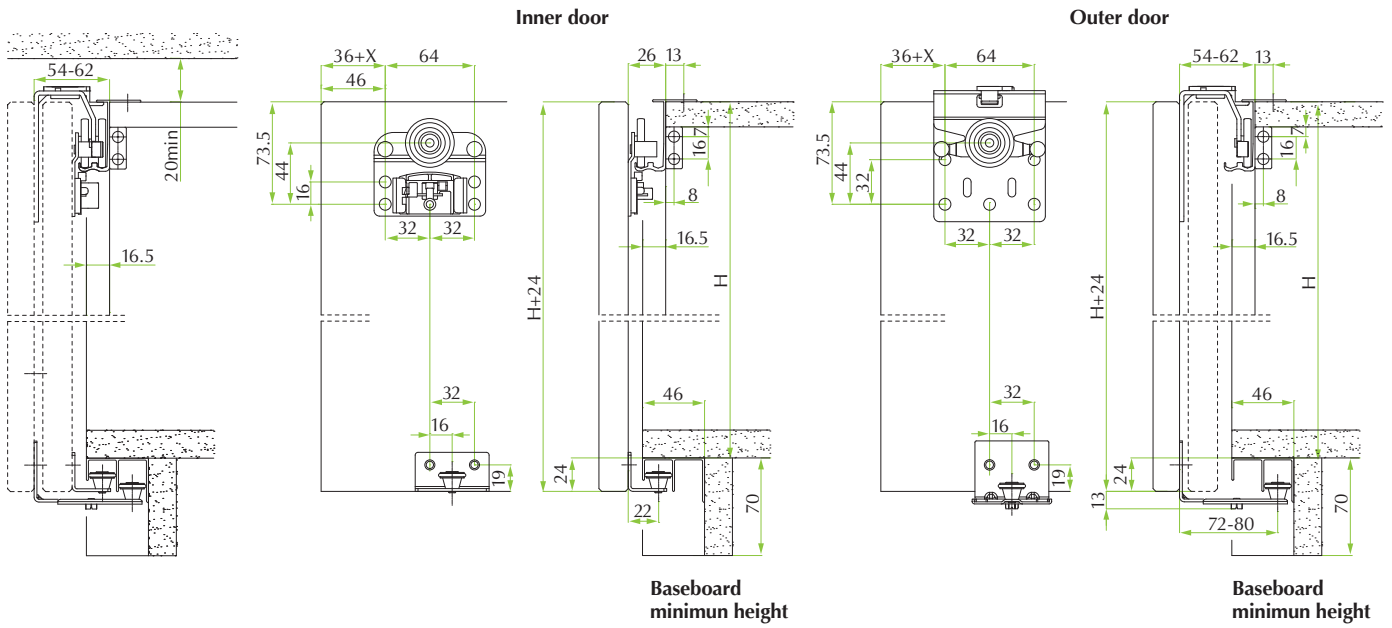
Code	Description	Door thickness (mm)	Packing
59.0DM3.07.S00.0000	Kit Domino for 3 sliding doors (16-21)	16 - 21	12 kits
59.0DM3.07.S10.0000	Kit Domino for 3 sliding doors (22-28)	22 - 28	12 kits
59.0DM3.07.S00.R000	Kit Domino for 3 sliding doors retrofit SlowMotion (16-21)	16 - 21	12 kits
59.0DM3.07.S10.R000	Kit Domino for 3 sliding doors retrofit SlowMotion (22-28)	22 - 28	12 kits

Code	Description	Door weight (kg)	Packing
59.0DMX.06.04000.C2	Kit of 2 SlowMotion dampers for side doors (40)	40	50 kits
59.0DMX.06.06000.C2	Kit of 2 SlowMotion dampers for side doors (60)	60	50 kits
59.0DMX.06.040C0.00	SlowMotion dampers for central door (40)	40	50 pieces

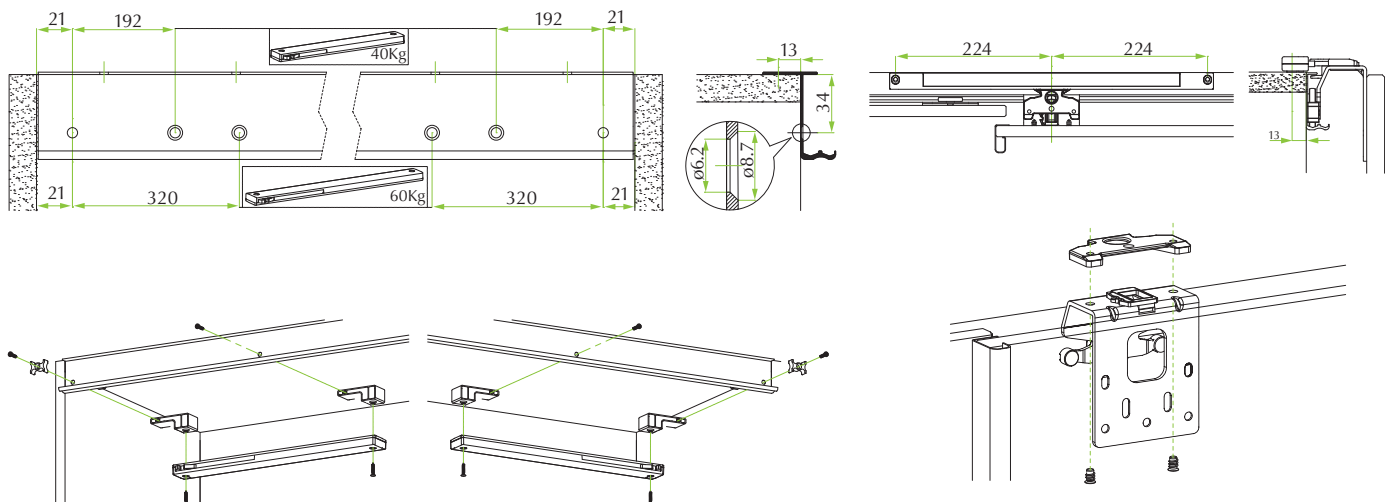




Application:



SlowMotion application:

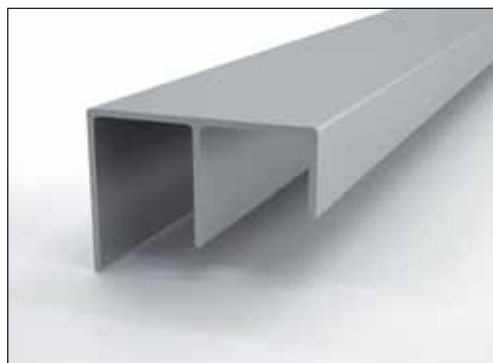


DOMINO



Aluminium top bar

<u>Code</u>	<u>Description</u>	<u>Packing</u>
59.0DMB.°A.S.**.0000	Aluminium top bar	12 bars
<i>° finish: 0 = raw / A = anodized</i>		
<i>** length: 15 = 1500mm / 20 = 2000mm / 30 = 3000mm</i>		



Aluminium bottom bar

<u>Code</u>	<u>Description</u>	<u>Packing</u>
59.0DES.°A.I.**.0000	Aluminium bottom bar	12 bars
<i>° finish: 0 = raw / A = anodized</i>		
<i>** length: 15 = 1500mm / 20 = 2000mm / 30 = 3000mm</i>		