

SMART DIGITAL LOCK FOR CABINET CONCEALED LOCK



ITEM NO.: SDWS-001

MATERIAL: ABS lock housing

FINISH: WHITE COLOR

Power supply: 3 standard AAA alkaline batteries.

Function card:

Mother card is used to create Customer Card

Customer card is the key of the lock.

The same RF card can be shared by all the locks

Accessories:

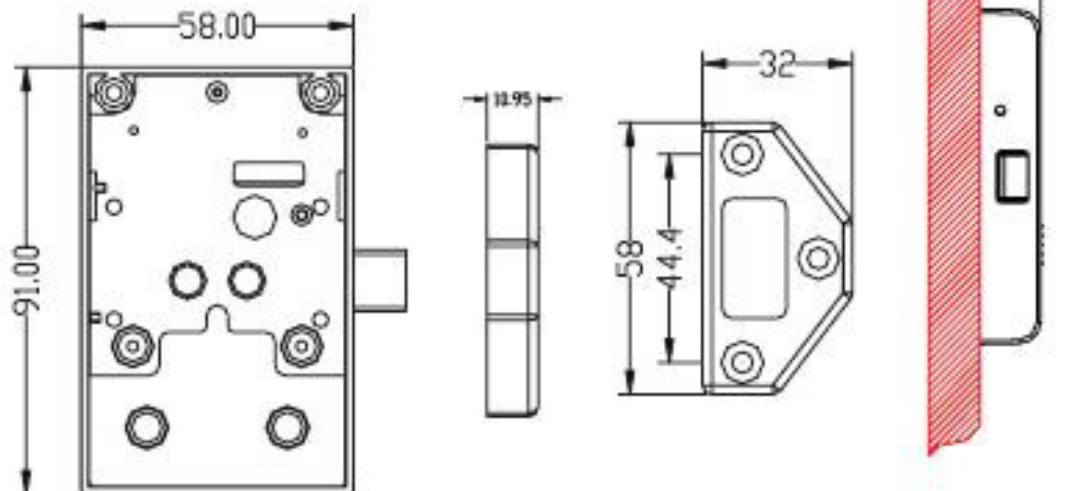
3 non programming cards (could be programmed by user)

1 ABS striking plate

1 Battery cover plate

1 set of screw for installment

1 operation manual



Concealed lock design

SMART DIGITAL LOCK FOR CABINET

ITEM NO.: SDWC-507K

ORDER NO.	FINISH	
	KNOB	HOUSING
SDWC-W507K	WHITE	WHITE
SDWC-BK507K	BLACK	WHITE

MATERIAL: ABS lock housing

Power supply: 3 standard AAA alkaline batteries.

Function card:

Mother card is used to create Customer Card

Customer card is the key of the lock.

The same RF card can be shared by all the locks

Accessories:

3 non programming cards (could be programmed by user)

1 ABS striking plate

1 Battery cover plate

1 set of screw for installment

1 operation manual

1 steel plate to fix back side



The diameter is 19mm which can replace the regular drawer lock directly without drilling another hole.

