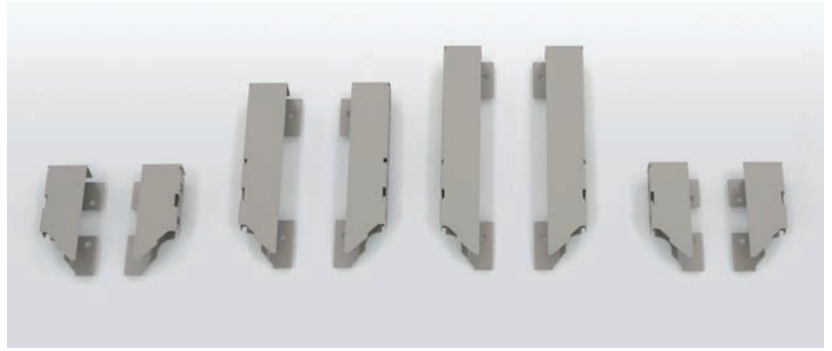
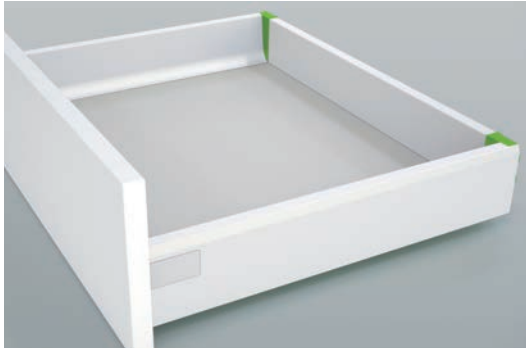




Back fixings for wooden back panel



Steel back fixings in epoxy finish for versatility in dimensions and design

Benefits for the industry

- Three heights: 90, 150 and 180 mm in standard
- Recovering lip all around to hide panel splintering
- Highest dimension available open on the top for use of extra-high wooden backs
- Same dimensions for wooden back and bottom for standardisation in production
- No interference and easy assembling of the wooden back panel

Benefits for the consumer

- Three metal finishes matching perfectly the drawer finish: Polar White, Silver Champagne and Grey
- Perfect side finish and suppression of all open holes for high quality perception

Code	Description	Packing
58.AXPA.**.0000B00	Set of steel back fixing H90	50 sets
58.AXPA.**.U000B00	Set of steel back fixing top open H90	50 sets
58.AXPC.**.0000B00	Set of steel back fixing H150	50 sets
58.AXPS.**.0000B00	Set of steel back fixing H180	50 sets
58.AXPW.**.0000000	Set of back fixing railing brackets for high wooden back	50 sets

*** colour codes: F1 = Polar White / S6 = Silver Champagne / A6 = Grey.
Each pack contains the indicated number of fixing brackets.*

***plastic colour codes: F1 = Polar White / S6 = Silver Champagne.*

This product needs the use of an high back panel and the railing tubes (page 24-25).



Railing brackets



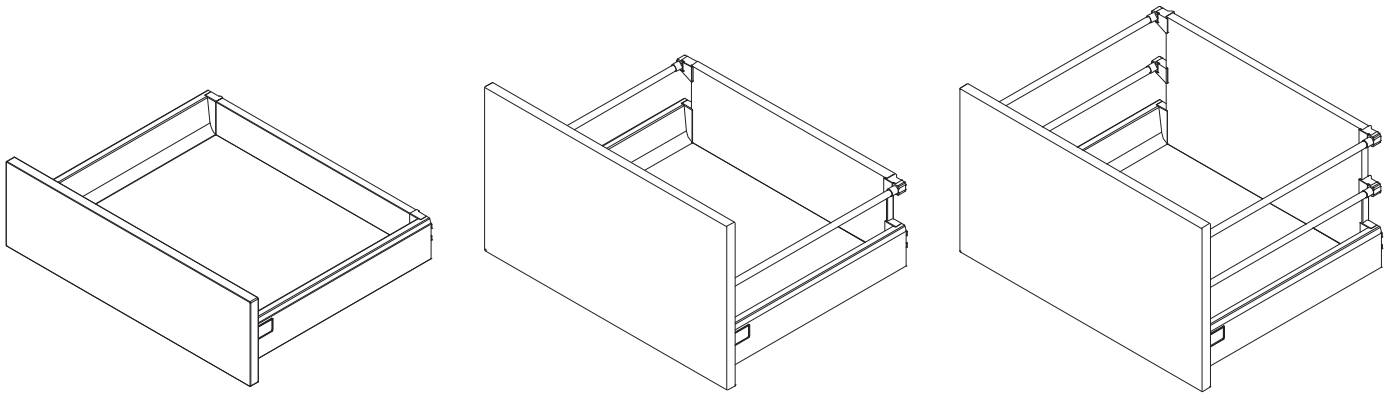
Railing brackets application



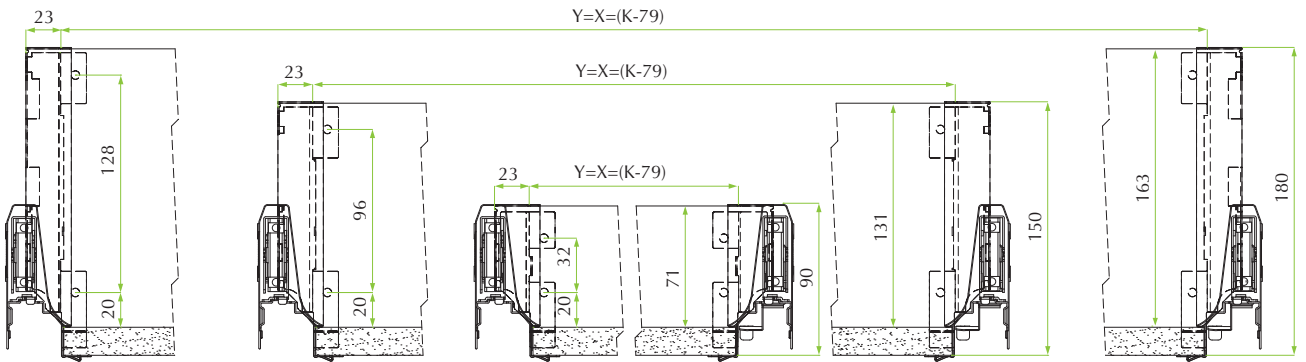
Pan drawer application



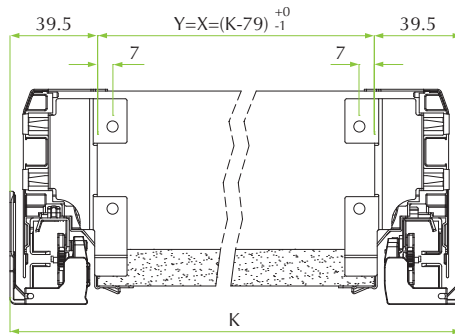
Double railing application



Wooden back panel - Front view

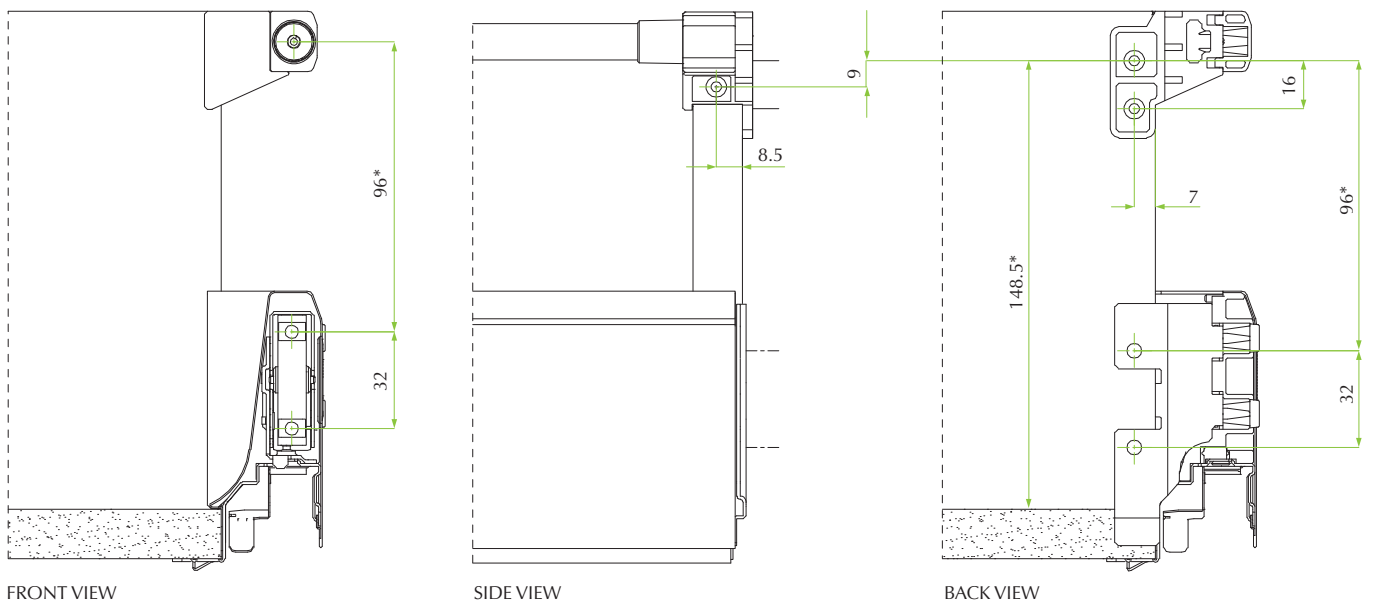


Back view



Y = WOODEN BACK PANEL WIDTH
X = BOTTOM PANEL WIDTH
K = INTERNAL CABINET WIDTH

Top open back fixings and railing brackets application



Values given in mm