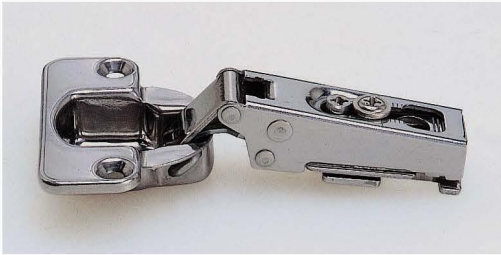


**100° Opening**    **19 mm Overlay**

Overlay  
15 - 19 mm

Cup Dia Ø 35    Bore Depth 11 mm  
Door Thickness 15 - 20 mm

Stainless Steel Mounting Plate  
100 Series (P.377)



**CONCEALED HINGE (STAINLESS STEEL)**



**100**

Item Code	Item Name	Type	Material	Finish	Weight	Carton
160-073-865	100-46/19 SUS304B	w/o Catch	Stainless Steel (SUS304)	Polished	39 g	200 pcs
160-073-870	100-C46/19 SUS304B	w/ Catch	Stainless Steel (SUS304)	Polished	44 g	200 pcs

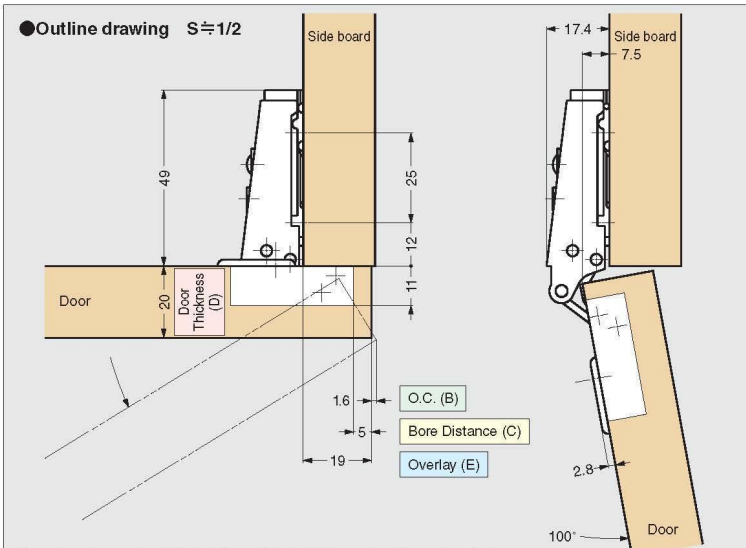
■ **Features**

Screw mount.

■ **Sold Separately**

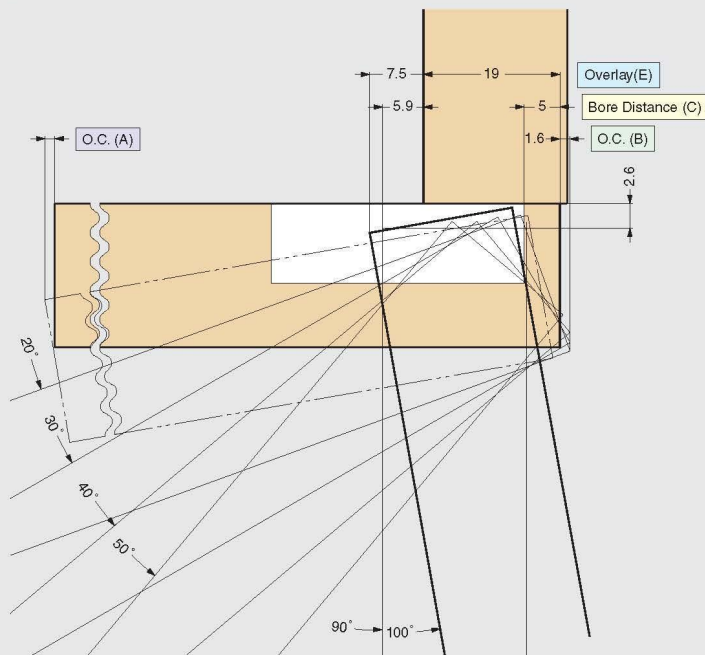
Stainless steel 100 series mounting plate (P.377)

Picture above is the combination of concealed hinge and mounting plate.



Drawing above is 100-46/19 or 100-C46/19 on to Mounting Plate 100-P3A: Bore Distance 5 mm, Door Thickness 20 mm and 19 mm Overlay.

● **Locus chart** S ≅ 1/1



Drawing above is Bore Distance 5 mm, Door Thickness 20 mm, Side Board Thickness 20 mm and 19 mm Overlay.

■ **Bore Distance (C)**

Bore Distance (C)	3	4	5
Overlay (E)	17	18	19

For standard type mounting plate 0 mm thickness.

Turning the overlay adjustment screw or using distance plate (2 mm thickness) to adjust overlay (Max. - 3 mm).

■ **Opening Clearance (O.C.)**

Clearances for door edge O.C. (A) and hinge side O.C. (B) are necessary. O.C. (A) and (B) change depending on door thickness and bore distance (C). Refer to locus chart and tables below when designing cabinets.

■ **O.C. (B)**

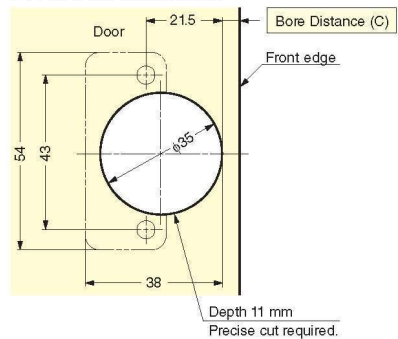
Door Thickness (D)	Bore Distance (C)		
	3	4	5
15	0.5	0.5	0.4
16	0.6	0.6	0.6
17	0.9	0.8	0.8
18	1.1	1.1	1.0
19	1.4	1.3	1.3
20	1.7	1.6	1.6
21	2.1	2.0	1.9
22	2.5	2.4	2.3
O.C. (B)			

Please refer to the locus chart if door thickness is over 20 mm.

■ **O.C. (A)**

Door Thickness (D)	Door Width			
	300	400	500	600
20	0.2	0.1	0.1	0.1
O.C. (A)				

■ **Cut Out Dimensions**



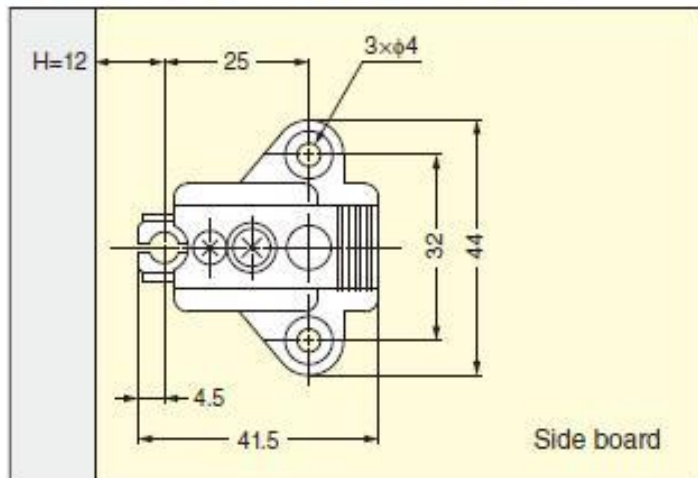
● **Recommended screw**

Size 3.5 raised countersunk head tapping screw or wood screw.

■ **Door Dimensions and Number of Hinges**

Please refer to P.394.

## SYSTEM 37, 32 TYPE



### 100-P4A-32-SUS304B



Standard height: 0 mm

Item Code	Item Name	Material	Finish	Weight	Carton
160-074-149	100-P4A-32-SUS304B	Stainless Steel (SUS304)	Polished	27 g	400 pcs