

RUBBER HOOK (VIVID COLOUR)

TEST
METHOD 4



PXB-GR05-2

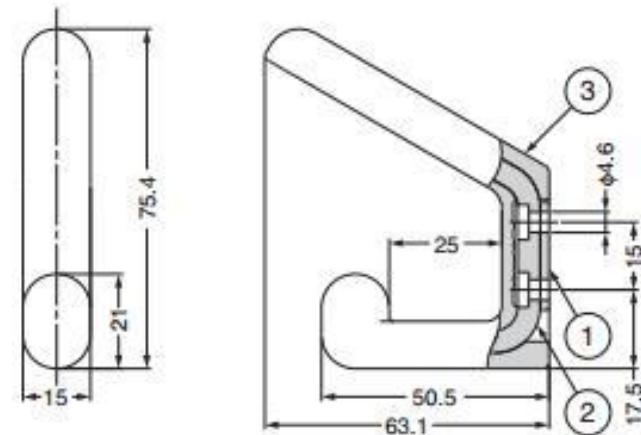


■ Features

- Simple and safe design.
- Base made of SUS304 provides high-durability.
- Offers a wide range of colours.

■ Parts Included

Pan head tapping screw 4×30



No.	Part Name	Material	Finish
①	Base Plate	Stainless Steel (SUS304)	Plain
②	Base	Stainless Steel (SUS304)	Plain
③	Cover	Silicone Rubber (Q)	-

Item Code	Item Name	Colour	Load Capacity		Weight	Box	Carton
110-033-287	PXB-GR05-211-RD	Red	98 N	10 kgf	66 g	10 pcs	100 pcs
110-033-288	PXB-GR05-211-YE	Yellow			66 g	10 pcs	100 pcs
110-033-289	PXB-GR05-211-GN	Green			66 g	10 pcs	100 pcs
110-033-290	PXB-GR05-211-BU	Blue			66 g	10 pcs	100 pcs
110-033-291	PXB-GR05-211-WT	White			66 g	10 pcs	100 pcs