

# NON-MAGNETIC TOUCH LATCH



## MLC-HT130BL



### ■ Features

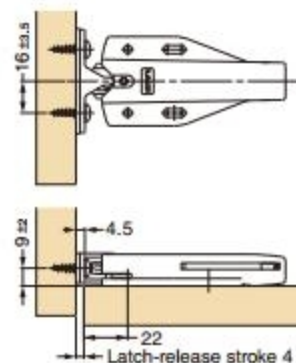
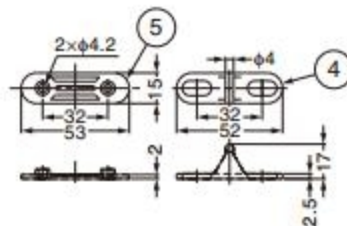
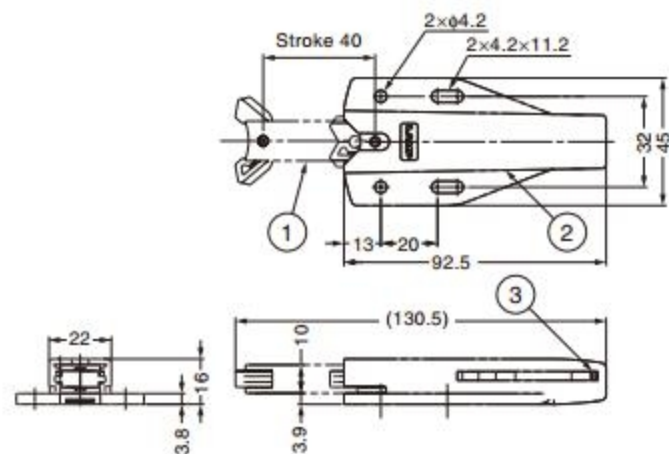
- Heat-resistance (up to 120°C) and long stroke.
- No handle needed, just push to open/close.
- Non magnetic.
- Wide adjustment range:  $\pm 2$  mm vertically and  $\pm 3.5$  mm horizontally.
- Passed 100,000-times opening and closing test.

### ■ Parts Included

Truss head tapping screw 4 × 16 (SUS)

### ■ Recommended Screw

M4 pan or truss head screw



No.	Part Name	Material	Finish/Colour
①	Body1	Polyamide (PA)	Black
②	Body2	PBT	Black
③	Spring	Stainless Steel (SUS304)	Plain
④	Counter Plate	Polyamide (PA)	Black
⑤	Counter Plate	PBT	Black

Item Code	Item Name	Retaining Force N	Retaining Force kgf	Push Force N	Push Force kgf	Weight	Box	Carton
140-028-539	MLC-HT130BL	※117.6 N	※12 kgf	16.7 N	1.7 kgf	40 g	20 pcs	240 pcs

※ Retaining force reduces with temperature and reaches 3 kgf (29.4 N) at 120°C.