

Rack and Pinion Pocket Door System®

Door Recommendations;

RP-42: 44" high x 24" wide x 30lb

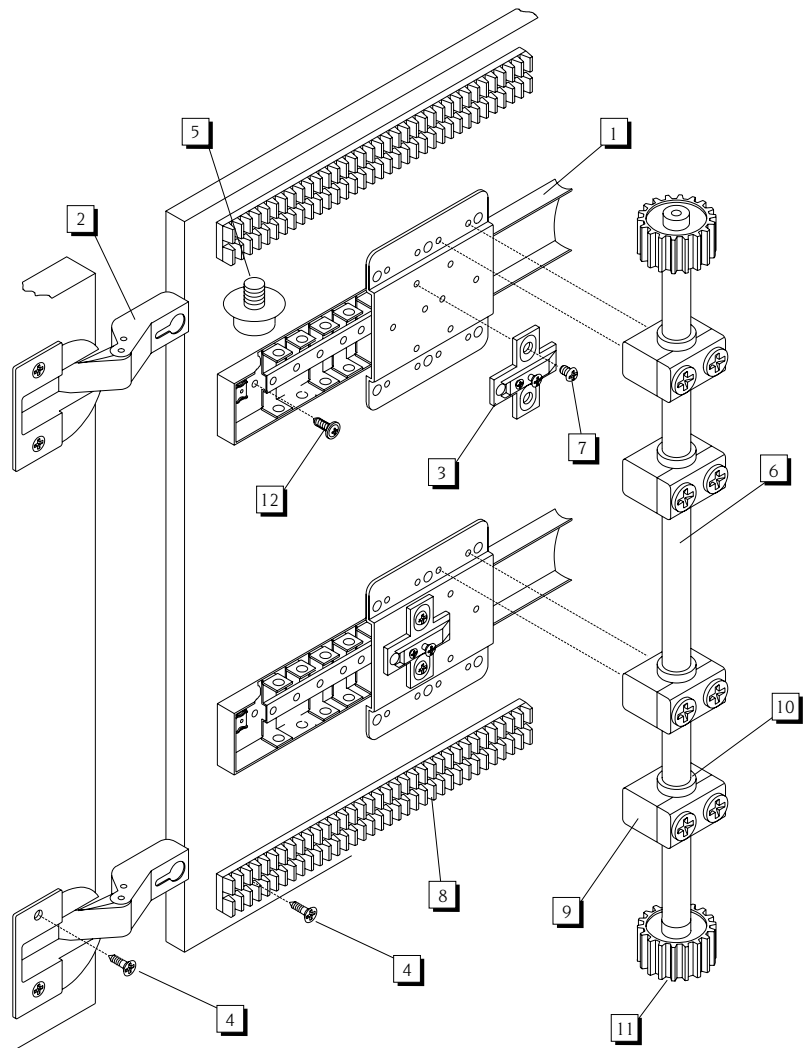
RP-60: 62" high x 24" wide x 45lb

RP-60 x 2: 81" high x 24" wide x 75lb**

RP-60 x 2: 81" high x 26" wide x 45lb**

Prod. Code: RPPD

- 1** Ball Bearing Slide
- 2** Hinge
- 3** Hinge Mounting Plate
- 4** #8 x 5/8" Zinc Screw
- 5** Roller, black plastic
- 6** Profile Rod, black steel
- 7** M4 x 5mm Black Screw
- 8** Rack Drive, black plastic
- 9** Mounting Block with Screws
- 10** Bushing
- 11** Pinion Wheel, black plastic
- 12** #8 x 1/2" Mod. Truss Screw Black



RP-42 Set Packing

Part Number	Description	Weight Capacity	Packaging	Shipping Weight
016.SET.42.14	RP-Set with two 14" slides (13.78" actual)	30Lb	1 Set	5 lbs
016.SET.42.16	RP-Set with two 16" slides (15.75" actual)	30Lb	1 Set	5 lbs
016.SET.42.18	RP-Set with two 18" slides (17.72" actual)	30Lb	1 Set	5 lbs
016.SET.42.20	RP-Set with two 20" slides (19.69" actual)	30Lb	1 Set	5 lbs
016.SET.42.22	RP-Set with two 22" slides (21.65" actual)	30Lb	1 Set	6 lbs
016.SET.42.24	RP-Set with two 24" slides (23.62" actual)	30Lb	1 Set	6 lbs
016.SET.42.26	RP-Set with two 26" slides (25.59" actual)	30Lb	1 Set	6 lbs
016.SET.42.28	RP-Set with two 28" slides (27.56" actual)	30Lb	1 Set	6 lbs

RP-60 Set Packing

016.SET.60.14	RP-Set with three 14" slides (13.78" actual)	45lb**	1 Set	7 lbs
016.SET.60.16	RP-Set with three 16" slides (15.75" actual)	45lb**	1 Set	7 lbs
016.SET.60.18	RP-Set with three 18" slides (17.72" actual)	45lb**	1 Set	7 lbs
016.SET.60.20	RP-Set with three 20" slides (19.69" actual)	45lb**	1 Set	7 lbs
016.SET.60.22	RP-Set with three 22" slides (21.65" actual)	45lb**	1 Set	7 lbs
016.SET.60.24	RP-Set with three 24" slides (23.62" actual)	45lb**	1 Set	7 lbs
016.SET.60.26	RP-Set with three 26" slides (25.59" actual)	45lb**	1 Set	8 lbs
016.SET.60.28	RP-Set with three 28" slides (27.56" actual)	45lb**	1 Set	8 lbs

Individual Parts

No	Part Number	Description	Quant in RP-42 sets	Quant in RP-60 sets	Notes
1	016.17290*	14" Ball Bearing Slide	2	3	-
1	016.17292*	16" Ball Bearing Slide	2	3	-
1	016.17293*	18" Ball Bearing Slide	2	3	-
1	016.17294*	20" Ball Bearing Slide	2	3	-
1	016.17952*	22" Ball Bearing Slide	2	3	-
1	016.17295*	24" Ball Bearing Slide	2	3	-
1	016.17296*	26" Ball Bearing Slide	2	3	-
1	016.17297*	28" Ball Bearing Slide	2	3	-
2	0A30.3501SC	35mm Inset Hinge, Self Closing	2	3	Included in set packaging for up to 7/8" thick doors
3	0A30.35HP01	Mounting Hinge Plate for 0A30.3501SC	2	3	Included in set packaging
2	0A30.4001SC	40mm Inset Hinge, Self Closing	-	-	(Optional) For inset doors up to 1-1/4" thick
2	0A30.4002SC	40mm Overlay Hinge, Self Closing	-	-	(optional) Up to 12mm overlay for doors up to 1-1/4" thick
3	0A30.40HP01	Mounting Plate for 40mm Hinges	-	-	Optional
4	0A20.08214SMZN	#8 x 5/8" Wood Screw	18	20	-
5	0A10.17015BL	Roller, Black	2	2	For guidance of doors when pushing into cabinet
6	090.05493	42" Profile Rod, Black	1	-	
6	090.05494	60" Profile Rod, Black	-	1	
7	0A20.04105MSBL	4mm x 5mm Threaded Screw, Black	4	6	
8	090.18305	21" Rack Drive, Black	2	2	All 24", 26" and 28" Sets include three Rack Drives
9	090.17429	Mounting Block with Screws	4	6	
10	090.17430	Bushing for Mounting Block	4	6	
11	090.17428	Pinion Wheel, Black	2	2	
12	0A20.08410TPBL	#8x1/2" Modified Truss Screw, Black	8	10	Used to attach slides only

*Only one size slide per pre-packaged set.

NOTES:

- 1) Packaging of 1 set = Hardware for 1 door.
- 2) Installation instructions included with all pre-packaged sets.
- 3) Rods are to be cut to size if length required is smaller than maximum length indicated for each size rod available.

** TWO RP-60 sets per door must be used to achieve the maximum weight capacity of 45lb/75lb.

One full set is to be placed on the upper half of the door and the second set is to be placed on the lower half of the door. See Diagram B in installation instructions.