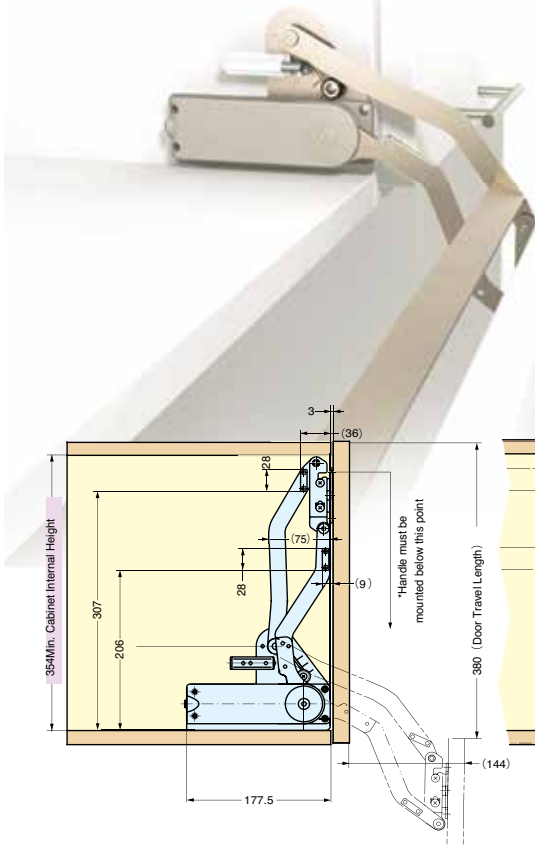


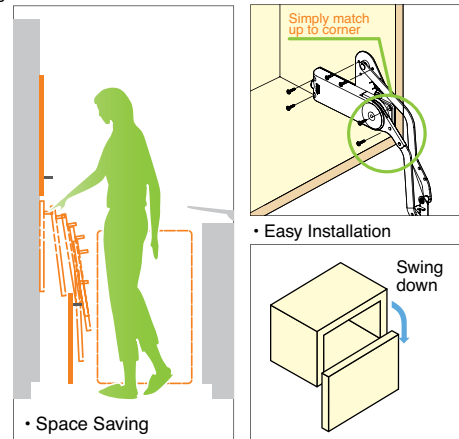
## SWING DOWN STAY



## LAMP SLD



- Unique swing down mechanism will hold doors at the open position.
- Sleek & compact design.
- Easy installation.
- Adjustable arm mounting plate.
- Patented LAPCON technology provides a smooth and quiet motion.
- Successfully passed 30,000 open/close private cycle tests.
- Recommended Door Size and Weight:
  - Width : 600-900 mm
  - Height : 390-400 mm ( For 18mm thickness door )
  - Weight : 3-6 kg



Item Code	Item No.	Door Weight/Door
180-020-848	SLD-3	3.0-4.0kg
180-020-849	SLD-4	4.0-5.0kg
180-020-850	SLD-5	5.0-6.0kg



### LAMP SLUN PAT SWING LIFT-UP

Material: Plastic, Steel

Finish: Nickel

Colour: Grey

Supplied with screws

- With soft closing function
- SLUN unique mechanism will help lift doors and hold them up.
- Sleek & compact design
- Easy installation
- Adjustable mounting plate
- Patented LAPCON technology offers smooth and quiet motion
- Successfully passed 30,000 open.close private cycle tests.

Item No.	Cabinet Width (mm)	Door Height (mm)	Door Weight (kg)	Door Travel Length (mm)	Carton (pair)
SLUN-3			2.5~3.5		
SLUN-4	600-900	390-450	3.6~4.5	390~425	5
SLUN-5			4.6~5.2		

# Stays



## LAMP HDSN-30 PAT.P HEAVY-DUTY SOFT-DOWN STAY

Material : Plastic, Steel  
 Finish : Light Grey, Nickel  
 Colour : Light Grey  
 Supplied with 3.5 x 15 screws

- HDSN-30 unique mechanism will save the installation space, and assist the door open and close in a smooth and soft motion.
- Neat, compact design but also heavy-duty use is available.
- One piece used can be available within a certain specification.
- Patented LAPCON technology lets the movement glide smoothly and quietly.

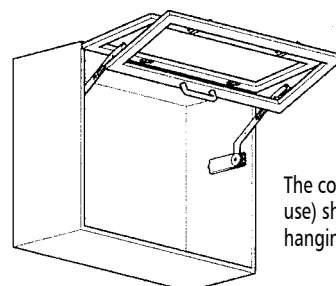
Item No.		Door Torque		
Left	Right	Type	Opening angle 90°	Opening angle 80°
HDSN-30KL	HDSN-30KR	K	13.7-17.5N-m (140-189 kgf.cm)	13.7-19.5N-m (140-199 kgf.cm)
HDSN-30ML	HDSN-30MR	M	17.6-21.5N-m (190-229 kgf.cm)	19.6-24.4N-m (140-199 kgf.cm)
HDSN-30HL	HDSN-30HR	H	21.6-24.4N-m (230-269 kgf.cm)	24.5-29.3N-m (250-299 kgf.cm)
HDSN-30SL	HDSN-30SR	S	25.5-29.4N-m (270-300 kgf.cm)	29.4-34.3N-m (300-350 kgf.cm)

## LAMP HBFN PAT.P

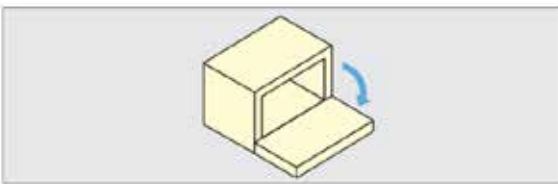
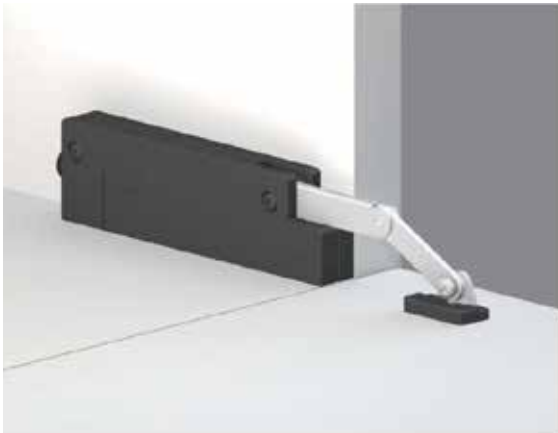
Material : Plastic, Steel      Finish : Nickel  
 Colour : Light Grey      Supplied with 3.5 x 15 screws

- HBFN unique new bi-fold mechanism will assist the door open and close in smooth motion.
- More compact design requires nothing any tracks or guides.
- Handle can be put at lower position.
- Arm length adjustable for various applications
- Patented LAPCON technology lets the movement glide smoothly and quietly.

Item No.	Door Width (mm)	Door Height/pc (mm)	Door Thickness (kg)	Door Weight/pc
HBFN-2S				2.5 - 3.5
HBFN-3S		260-320		3.5 - 4.5
HBFN-4S				4.5 - 5.5
HBFN-2M				2.5 - 3.5
HBFN-3M	450-900	320-370	17 - 20	3.5 - 4.5
HBFN-4M				4.5 - 5.5
HBFN-2L.1				2.5 - 3.5
HBFN-3L.1		370-420		3.5 - 4.5
HBFN-4L.1				4.5 - 5.5



The concealed hinge (overlay use) should be used as a door-hanging device.



**LAMP CSD-10-TV**  
SHORT ARM STAY (DOWN)

- Easy-installed just by aligning the main body to the inside cabinet corner.
- Designed for small cabinets such as audio visual furniture



**LAMP NSDX- 10 (R/L) PAT.P**  
DOWNWARD-OPENING FLAP  
WITH SOFT OPENING

with Piano , Butt or Drop Hinges.  
NSDX-10 is designed to securely latch a flap closed.  
Torque: Torque= Door Calculation  
Height x 1/2 x Door Weight  
Per piece: 1.96 - 6.686N.m (20-70kgf.cm)  
Per pair: 3.92 - 13.72N.m (40-140kgf.cm)



**LAMP NSDX- 20 (R/L) PAT**  
TOP OPENING FLAP STAY  
WITH SOFT CLOSING

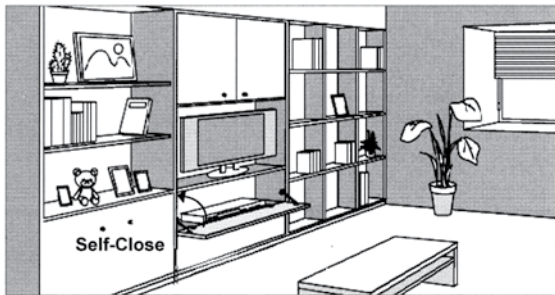
with Piano , Butt or Concealed Hinges.  
NSDX-20 is designed to hold a flap in the fully opened position.  
Torque: Torque= Door Calculation Height x 1/2 x Door Weight  
Per piece: 1.96 - 6.686N.m (20-70kgf.cm)  
Per pair: 3.92 - 13.72N.m (40-140kgf.cm)



**LAMP NSDX- 35-2S (R/L) PAT**  
UPWARD OPENING FLAP STAY  
WITH SOFT CLOSING

with Piano , Butt or Concealed Hinges.  
NSDX-35-2S/Angle adjustable from 80° to 100°  
Torque: Torque= Door Calculation Height x 1/2 x Door Weight  
Per piece: 1.96 - 4.9N.m (20-50kgf.cm)  
Per pair: 3.92 - 9.8N.m (40-100kgf.cm)

# Stays



## LAMP HDS-10S - Self Close Stay

### SPECIFICATION

- For Down-ward opening flaps
- Stays opened in the down position
- Self-closes after a small impulse
- Completely Unique movement
- Save trouble to close the doors by hand
- Torque moment 60 - 180kgf. cm by 4 models
- K type - 60-95f.cm / pair
- M type - 95-130f.cm / pair
- H type - 110-160f.cm / pair
- S type - 140-180f.cm / pair



## LAMP OV - OVER -THE-TOP FLIPPER DOOR

- Makes closings smooth and quiet.
- Doors will not slam shut.
- Ideal for office overhead filing storage, Laboratory and kitchen cabinets, etc.
- Adjustable closing speed.



### FLIPPER DOOR WEIGHT AND SIZE

Approximate door weight and size should be as follows based on 2 units per door.

Door weight : 3-5kg. (6-11lbs.) for OV-1 (light duty)  
60-100kg.cm (55-85lbs.inch)\*  
5-8kg. (11-18lbs.) for OV-2 (heavy duty)  
100-160kg.cm (85-135lbs.inch)\*

Door thickness (T): 19mm (3/4") or 20mm (as standard)

Door width (W) : 700-1,400mm (27-58")

Door height (H) : 350-450mm (13-18")

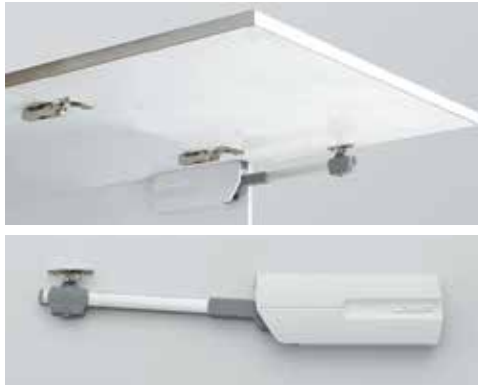
Note: \*1/2 x H x door weight.

## LAMP SDS-C100-TV, SHORT ARM VERSION

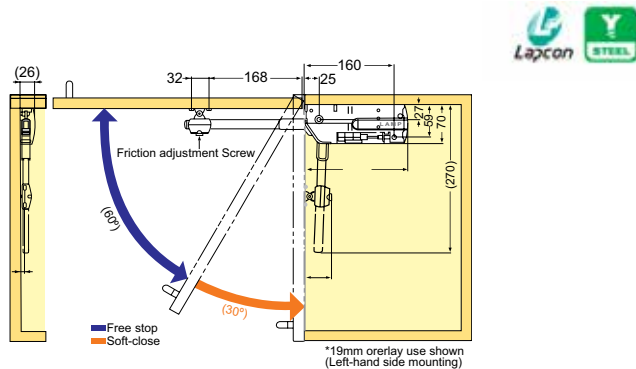
- Suitable for low-height cabinet such as AV cabinet
- Minimum height 140mm
- Operational Torque moment - 5.0 - 12.0kgf/cm (0.49-1.18N/M)
- Black and white version available
- For Cabinet with width over 900mm, use of 2 stays recommended



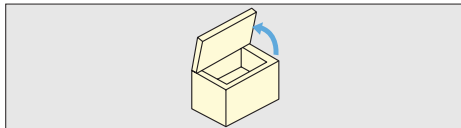
## LIFT ASSIST STAY



## LAMP SLS-ELAN (Medium, Heavy Duty)



## HEAVY DUTY SOFT-DOWN STAY



## LAMP HDS-20



- **Features**
- For top-opening doors.
- Can be used with concealed, piano, or butt hinges.
- Designed to hold the door in fully opened position.
- Used in pairs.

### • Applicable Range

Torque	Model	Qty
13.7~19.5 N·m	K	1 pair
19.6~24.4 N·m	M	1 pair
24.5~29.4 N·m	H	1 pair

### • Parts Included

- Mounting plate
- Binding head tapping screw 3.5 X 15

## LIFT-ASSIST DAMPER



## LAMP LAD



### Features

- Lift-assist mechanism with light opening
- Smooth and soft close movement at the end, preventing flaps from slamming shut.
- Ideal for counter flaps at bars, restaurant and receptions.
- Door thickness: 15-25mm. Max. door thickness with spacer LAD-DP is 40mm.
- Can be installed on the backside of a table with bracket.
- Successfully passed for the 100,000 open/close private cycle test.

### Parts Included

Binding head tapping screw 4 X 16





# Stays

## SWING LIFT-UP STAY



## LAMP SLU-ELAN



- Lapcon stay for swing lift-up doors.
- Lift-assist mechanism for extra light-opening.
- Door stays in any desired position.
- Damper equipped for soft & silent closing at the end.
- Simple installation by mounting guide plate and slide in main body.
- No hinges are required.
- Connecting bar stays on top for maximum access inside the cabinet.
- Recommended Door Size and Weight :

Door Weight	5-11kg
Door Height	390-500mm
Door Width	Max. 1,500mm

## BI-FOLD LIFT ASSIST STAY



## LAMP HBF-ELAN



- Bi-fold door mechanism will assist in opening and closing doors in a smooth motion.
- Easy installation using a paper template and multiple adjustments.
- Recommended Door Size and Weight:

Door Weight	2.5-6.5kg
Door Height	320-370mm
Door Width	Max. 1,200mm

## LIFT ASSIST STAY



## LAMP EZS-ELAN



- Lift-assist function for easy and smooth opening
- Soft-closing function for silent and safe closing
- Free stop function from 30°-70°
- Simple installation by aligning body to edge of cabinet (Time saving)
- No hinge, no guide bar required.
- Clip-on mounting plate for speedy door installation
- 3 powers available (L,M,H)
- Optional logo plate available

Door Weight	5-12.5kg
Door Height	500-750mm
Door Width	Max. 1,200mm

# Stays



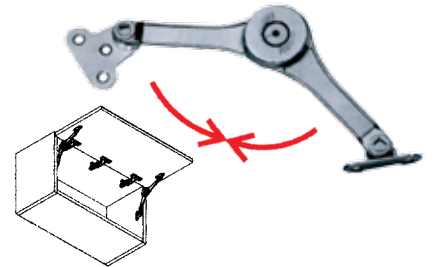
**Gas Spring**  
**DSC-001 x 245mm :**  
 8kg, 10kg, 13kg, 15kg, 20kg  
**DSC-001 x 160mm:**  
 10kg, 13kg, 15kg



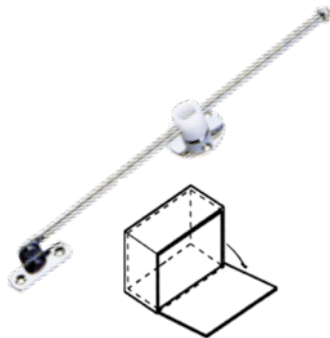
**B288**  
 Heavy Duty Lift Up  
 Stay  
 (Free stop at any  
 position)



**SFD-004-2**  
 Lift Up Stay  
 Steel  
 Nickel Plated



**DCS-005B**  
 Flap Join Stay  
 15kgs/pair



Downing Opening

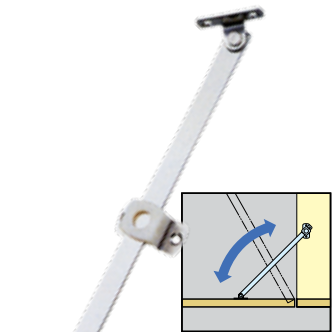
**ED-8309**  
 Diameter 5mm x 220mm  
 Lid Down Stay



**195, 270**  
 Lift Up Stay  
 Stainless Steel



**LAMP S-55/6"/"9"**  
 Lift Up Stay



**LAMP HS-180**  
 304 Stainless Steel  
 Lid Stay



## MI-G16

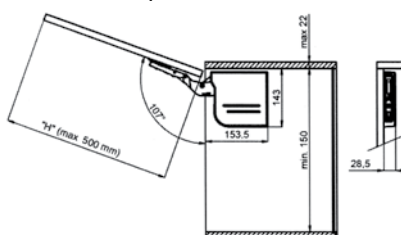
L265mm X100N, 150N • Gas Spring with Soft Closing

Statis Door weight (kg) Door height (mm) Newton	80°												90°				100°			
	300			400			500			600			300		400		500		600	
	≤2.6	≤2.2	≤1.7	≤1.3	≤2.4	≤2.1	≤1.6	≤1.2	≤2.1	≤1.7	≤1.4	≤1.0	≤2.6	≤2.2	≤1.7	≤1.3	≤2.8	≤3.2	≤2.5	≤1.9
80N	≤2.6	≤2.2	≤1.7	≤1.3	≤2.4	≤2.1	≤1.6	≤1.2	≤2.1	≤1.7	≤1.4	≤1.0	≤2.6	≤2.2	≤1.7	≤1.3	≤2.8	≤3.2	≤2.5	≤1.9
100N	≤3.3	≤2.7	≤2.2	≤1.6	≤3	≤2.5	≤2.0	≤1.5	≤2.6	≤2.2	≤1.7	≤1.3	≤2.8	≤3.2	≤2.5	≤1.9				
150N	≤4.7	≤3.9	≤3.2	≤2.5	≤4.2	≤3.5	≤2.8	≤2.1	≤2.8	≤3.2	≤2.5	≤1.9								



## AeroBus

Technical Specs



Door weight (including the handle)

"H" (mm)	Opening Force
	59. 0VBS.A9.D40
400	2,4 - 5,5 kg
350	2,7 - 6,3 kg
300	3,2 - 7,4 kg
250	8,8 - 8,9 kg
200	4,8 - 11,0 kg
180	5,3 - 12,3 kg

Application with door with height max. 500mm and variable width bound to the load capacity.

Packing in kit, composed by:

- 2 system groups
- 2 covers : right and left
- 2 mounting plates for the door fixing

- 6 screws 4 x 15
- 8 screws 4 x 35